

sodir

ROAST

CONCEPT

ELECTRIC ROTISSERIE ROASTERS

*Let your customers see the process
and enjoy the results!*

- q Great for roasting chicken, chops, ribs, fish and vegetables
- q Water bath/drip pan ensures smokeless operation and easy cleaning
- q Attractive high polish stainless steel finish
- q Infrared Quartz elements for crisp and juicy roasting
- q Tinted safety glass and interior light
- q 2, 3 spit and 5 basket models
- q Optional roasting baskets available



RBE 25 Shown with optional double spits



PARADE

RBE 8
208/240/3

RBE 8-1
208/240/1



ROAST CAPACITY:

2 spit / 6-8 birds

WARM CAPACITY:

Up to 10 birds

**OPTIONAL
ROASTING BASKET ***

* for models RBE 8, RBE 12



VISTA

RBE 12
208/240/3

RBE 12-1
208/240/1



ROAST CAPACITY:

3 spit / 9-12 birds

RITZ

RBE 25 208/240/3
ROAST CAPACITY:
5 basket / 16-25 birds

TURBO VISION

RE 2 208/240/1
WARMING CAPACITY:
up to 40 birds



RBE 25

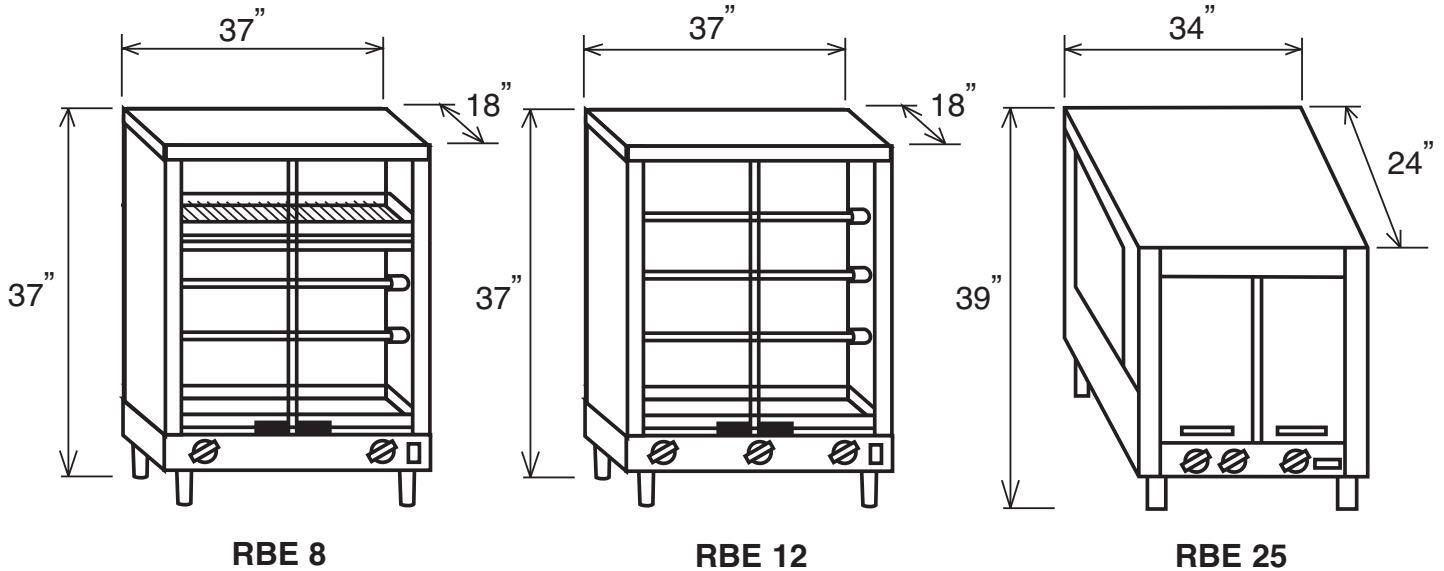
RE 2



765 WESTMINSTER STREET PROVIDENCE, RI 02903
TEL: (401)273-3300 FAX: (401)273-3328 E-mail: sales@equipex.com
www.equipex.com



ELECTRIC ROTISSERIE ROASTERS



INSTALLATION CLEARANCE : 4" EACH SIDE, TOP AND BACK

SPECIFICATIONS

MODEL	ELECTRICAL	DIMENSIONS	SHIPPING WEIGHT	NEMA PLUG
RBE 8	208/240V, 3PH, 4.4KW, 11/13 Amps	37"Wx18"Dx37"H	180 lbs	cord only
RBE 8-1	208/240V, 1PH, 4.4KW, 18/21 Amps	37"Wx18"Dx37"H	180 lbs	L6-30 P
RBE 12	208/240V, 3PH, 6.6KW, 18/20 Amps	37"Wx18"Dx37"H	190 lbs	cord only
RBE 12-1	208/240V, 1PH, 6.6KW, 28/32 Amps	37"Wx18"Dx37"H	190 lbs	6-50 P
RBE 25	208/240V, 3PH, 9.5KW, 25/29 Amps	34"Wx24"Dx33"H (add 6" for legs)	280 lbs	cord only
RE 2	208/240V, 1PH, 2.5KW, 10/12 Amps	34"Wx24"Dx42"H (including 6" casters)	235 lbs	6-15 P

WARRANTY: Limited one year parts and labor



765 WESTMINSTER STREET PROVIDENCE, RI 02903
 TEL: (401)273-3300 FAX: (401)273-3328 E-mail: sales@equipex.com
 www.equipex.com