

Merchandisers Refrigerators & Freezers

Swing Door • FM-10-SL54 • FM-16 • FM-16F



Item # _____

Standard Features

- Glass Door Merchandisers are designed with quality and durability that you will not find in any other products in its class.
- **No-chip exterior**, durable and stylish black vinyl finish - Std. (Also available in white).
- Easy to clean NSF approved white coated steel interior, Stainless Steel floor.
- Electronic controller for a proper temperature thru out your box.
- “Low-E” consumption **LED interior lighting** provides greater visibility, shadow-free illumination and enhanced product display.
- Factory balanced and environmentally friendly refrigeration system: R-134A (refrigerators) and R-404A (freezers).
- On & Off door rocker switch which reduces the amount of moisture and helps preserve temperature inside the cabinet.
- High density, CFC-Free polyurethane insulation.
- “Low-E” double pane thermal insulated glass door on refrigerators and triple pane on freezers with extruded aluminum frames for the best efficiency and durability.
- High/low temperature alarm and automatic defrost.
- Adjustable epoxy coated wire shelves (four per door - standard).
- Bottom mount compressor system with service friendly rail system.
- NSF-7 listed for storage and/or display of packaged or bottle products.



FM-16(F)



FM-10-SL54



Options & Accessories

- Epoxy coated shelves
- 220 volts / 50 cycles / 1 phase



*Conforms to UL & NSF-7 standards

Model	Door	Capacity (Cu.Ft)	Shelves	Amps	HP	Voltage	Nema Plug	Cord Length	Cabinet Dimensions			Shipping	
									L	D	H	(Wt. / Cubes)	
Swing Door Refrigerators													
FM-10-SL54	2	10	4	5.1	1/4	115	5-15P	8'	36" (914 mm)	21 3/4" (554 mm)	54" (1,373 mm)	203 (92 kg)	30 (0.84 m³)
FM-16	1	16	4	5.8	1/4	115	5-15P	8'	27" (686 mm)	26 3/8" (670mm)	72 5/8" (1846 mm)	216 (98 kg)	37 (1.04 m³)
Swing Door Freezers													
FM-16F	1	16	4	8.5	3/4	115	5-15P	8'	27" (686 mm)	26 3/8" (670mm)	72 5/8" (1846 mm)	216 (98 kg)	37 (1.04 m³)

*All specifications are subject to change without notice.

Specifications Merchandisers

Construction

Exterior made of durable stylish black vinyl on steel, non-chip or peel. White coated steel interior, NSF approved with high quality stainless steel floor. High density and environmentally friendly CFC-Free polyurethane insulation.

Entire cabinet is foamed in place including mullions on double doors. Double pane thermal insulated glass door on refrigerators and triple pane on freezers with extruded aluminum frames for the best efficiency. Self-closing doors with magnetic gaskets, positive seal closure system and aluminum handles. On & Off door rocker switch.

Low energy consumption LED interior lighting,

full height along the door frame including a safety shield per section outside the food zone.

Refrigeration System

Factory oversized and balanced refrigeration system, using environmentally friendly, CFC Free refrigerant: R-134A (refrigerators) / R-404A (freezers). Bottom mounted condensing unit on a rail system. Evaporator coil is mounted to interior top panel. Large fan motor and fan blades for better air flow. Refrigerators are designed to maintain temperatures between 33°F to 38°F and freezers maintains an optimal temperature of -7°F.

Precise electronic controller. Automatic defrost and temperature door alarm.

Shelving

Four epoxy coated wire shelves with clips per door. Adjustable in 1/2" increments. Aluminum pilasters with stainless steel clips.

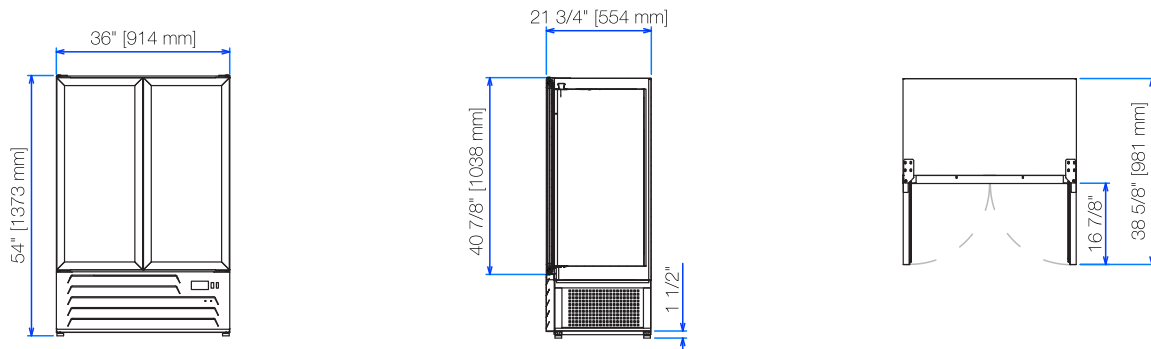
Others

Unit is supplied standard with a 8' cord and plug (Nema 5-15p).

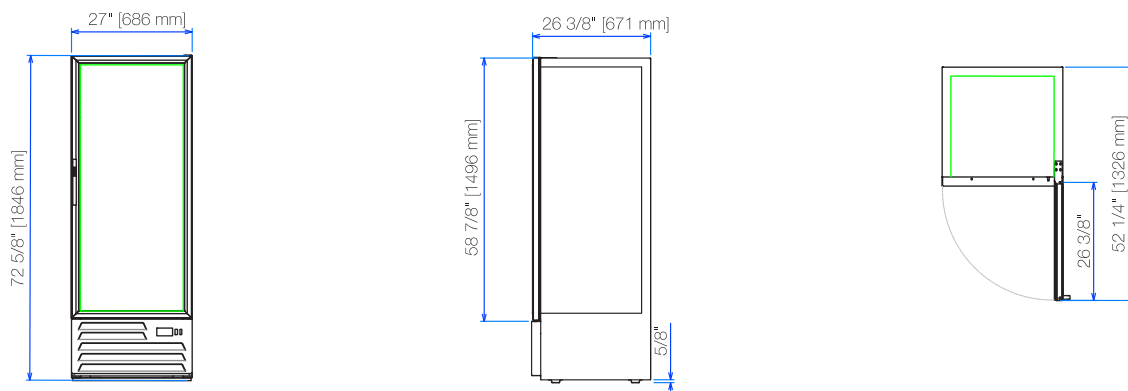
Warranty

3 year parts and labor warranty plus 2 additional year compressor warranty. (Continental U.S.A. & Canada only).

FM-10-SL54 Front Side Top



FM-16 (F) Front Side Top



The manufacturer reserves the rights to modify materials and specifications without notice. Printed in the USA • 08/2013

