



REFRIGERATION

SERVING THE FOOD INDUSTRY SINCE 1951

50-INCH ICE CREAM DIPPING CABINET

Item: 27941 Model: FR-CN-1245

Omcan's FR-CN-1245 Ice Cream Freezer is designed to merchandise and provide increased sales of frozen novelties and seasonal specialties.

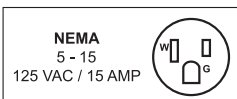


FEATURES

- Manufactured with 13 cubic feet capacity for maximizing storage
- Comes with four two-inch casters for mobility (2 locking)
- Designed with two sliding doors with curved top glass and locks for easy access
- Exterior is made of white painted steel with gray plastic trim
- Built-in lock for security
- Plastics trim and door frames
- Steel interior walls
- Conveniently located rear defrost drain
- Three wire baskets included



LIMITED WARRANTY
PARTS AND LABOR



Authorized Dealer

REFRIGERATION

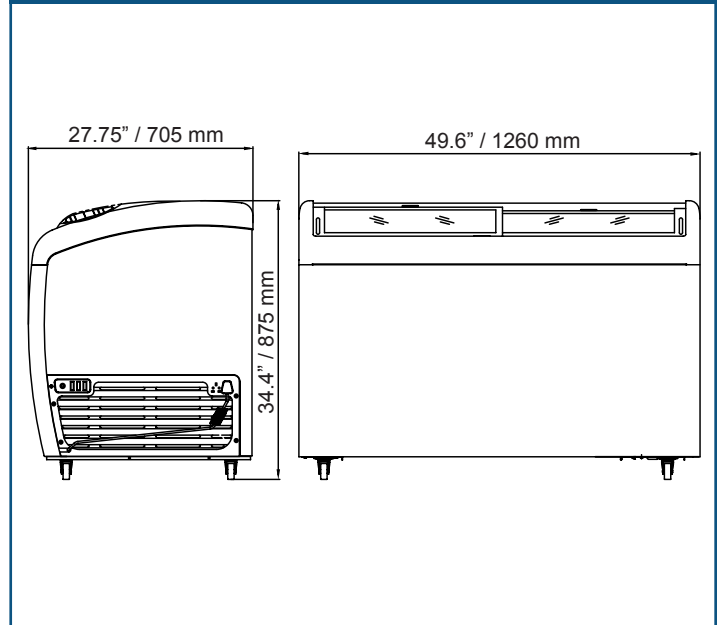
50-INCH ICE CREAM DISPLAY FREEZER FR-CN-1245 / 27941



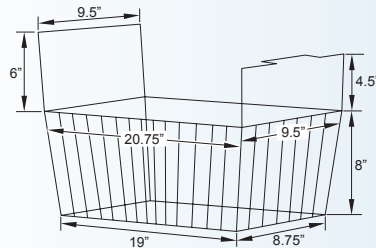
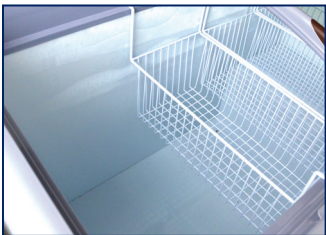
TECHNICAL SPECIFICATION

ITEM NUMBER	27941
MODEL	FR-CN-1245
POWER	0.46 kW
FREEZER CAPACITY	360 L / 12.8 cu. ft
DOORS	2
NUMBER OF BASKETS	3
TEMPERATURE RANGE	≤ -18°C / ≤ -0.4°F
REFRIGERANT	R134a
ELECTRICAL	110 V / 60 Hz / 1 Ph
WEIGHT	69 kg / 152 lbs.
PACKAGING WEIGHT	82 kg / 180.75 lbs.
DIMENSIONS (WDH)	49.6" x 27.75" x 34.4" 1260 x 705 x 875 mm
PACKAGING DIMENSIONS	53" x 30" x 38" 1346 x 762 x 965 mm

TECHNICAL DRAWING AND DIMENSIONS



REPLACEMENT BASKET

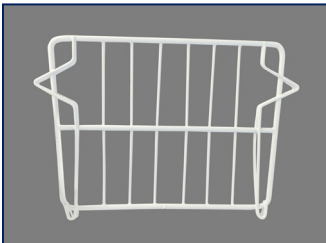


ITEM NUMBER: 31440

DESCRIPTION: Replacement basket for item 27941

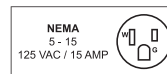
VOLUME: 1330 cu. in

BASKET DIVIDER



ITEM NUMBER: 43413

DESCRIPTION: Basket Divider for item 27941



OMCAN INC.

Telephone: 1-800-465-0234

Fax: (905) 607-0234

Email: sales@omcan.com

Website: www.omcan.com



Follow us to keep up to date with the latest news and offers



2015.E.O.E