



**FOOD EQUIPMENT**

**SERVING THE FOOD INDUSTRY SINCE 1951**

## **0.33 HORSEPOWER TOMATO SQUEEZER WITH PLASTIC COVER**

**Item: 11001**

**Model: TS-IT-0134**



This model enables the extraction of large quantities of tomato puree, separating it from seeds and skin. The hopper, collector, and base are stainless steel; the worm and body are plastic with double hot tinning. TS-IT-0134 is the perfect model for any home or light production application. Made in Italy.



**WARRANTY**  
PARTS AND LABOR



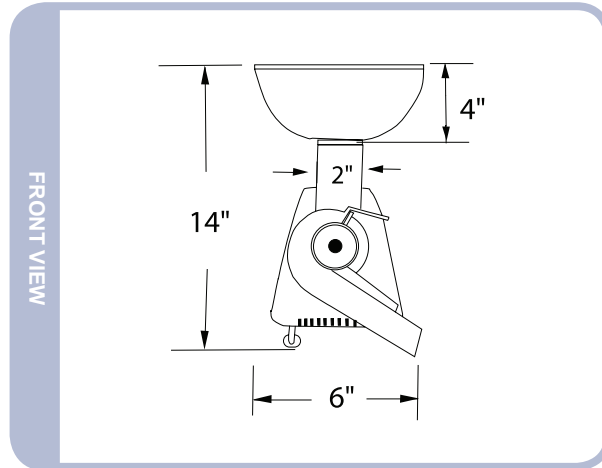
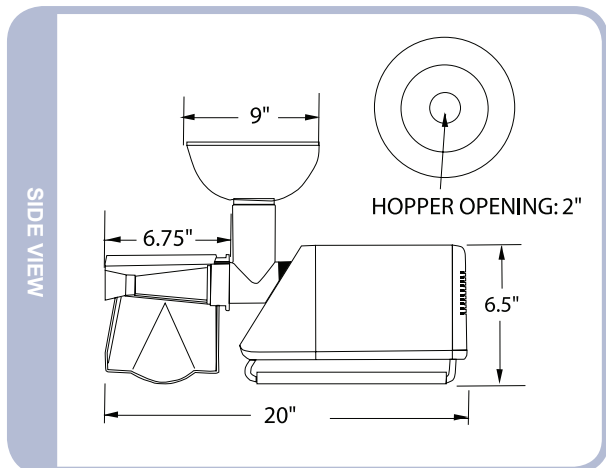
Authorized Dealer

# FOOD EQUIPMENT

## 0.33 HORSEPOWER TOMATO SQUEEZER WITH PLASTIC COVER



### TECHNICAL DRAWING WITH DIMENSIONS



### DETAIL IMAGES



### TECHNICAL SPECIFICATION

ITEM NUMBER	11001
MODEL	TS-IT-0134
DESCRIPTION	Electric
POWER	0.33 HP / 0.25 kW
WORM RPM	110
ELECTRICAL	110V/60Hz/1Ph
WEIGHT	10.56 lbs/ 4.8 kg
PACKAGING WEIGHT	11 lbs/ 5 kg
DIMENSIONS (DWH)	20" x 6" x 14" / 508 x 152 x 356 mm
PACKAGING DIMENSIONS	19" x 13.5" x 8" / 480 x 343 x 200 mm

NEMA  
5 - 15  
125 VAC / 15 AMP

## OMCAN INC.

Telephone: 1-800-465-0234  
 Fax: (905) 607-0234  
 Email: sales@omcan.com  
 Website: www.omcan.com



Follow us to keep up to date with the latest news and offers

