



# FOOD EQUIPMENT

SERVING THE FOOD INDUSTRY SINCE 1951

## ELITE SERIES SINGLE PANINI GRILL - RIBBED TOP AND SMOOTH

Item: 11377

Model: PG-IT-0610-R



Ideal for quesadillas, panini, foccacia, and pita sandwiches. These model have stainless steel bodies with cast iron grilling surfaces for easy cleaning.



Authorized Dealer



**LIMITED WARRANTY**  
PARTS AND LABOR



# FOOD EQUIPMENT

## ELITE SERIES SINGLE PANINI GRILL - RIBBED TOP AND BOTTOM



### Main Component

- 1 Collecting Tray
- 2 Thermostat Control
- 3 Functioning Pilot Lamp
- 4 Non-slip Rubber Feet
- 5 Top & Bottom: Ribbed Grill Plate



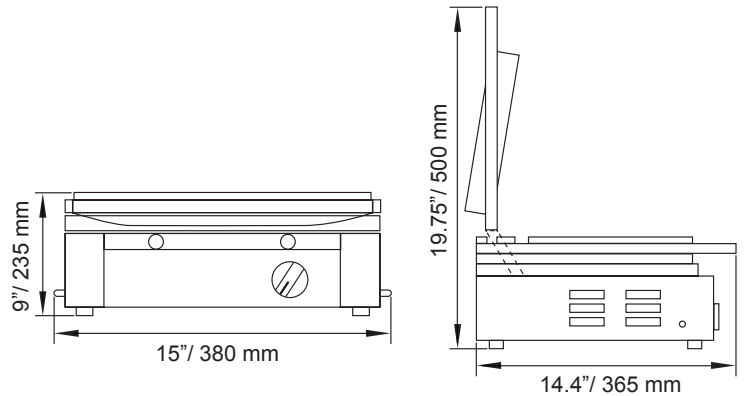
### Accessory



Panini Grill Cleaning Brush

### SINGLE PANINI GRILL WITH RIBBED TOP & BOTTOM GRILL PLATES

#### TECHNICAL DRAWING WITH DIMENSIONS



#### TECHNICAL SPECIFICATION

ITEM NUMBER	11377
MODEL	PG-IT-0610-R
GRILL SURFACE	10" x 14" / 254 x 355.6 mm
AMPS	15
THERMOSTAT CONTROL	120 - 570 °F / 50 - 300 ° C
POWER	1.7 kW
ELECTRIC	110V/60Hz/1
TOP GRILL	Ribbed
BOTTOM GRILL	Ribbed
NET WEIGHT	53 lbs. / 24 kg.
GROSS WEIGHT	55 lbs. / 25 kg.

#### DIMENSIONS (WDH)

15" x 14.4" x 19.75"(Open) / 9"(Close)  
380 x 365 x 500(Open) / 235(Close) mm



NEMA  
5-20  
125 VAC / 20 AMP



## OMCAN INC.

Telephone: 1-800-465-0234  
Fax: (905) 607-0234  
Email: sales@omcan.com  
Website: www.omcan.com



Follow us to keep up to date with the latest news and offers



2015.E.O.E