



ICE MAKERS

SERVING THE FOOD INDUSTRY SINCE 1951

16-KG/35-LBS CAPACITY ICE MAKER

Item: 37865

Model: IC-CN-0016



- | ENERGY EFFICIENT**
- | ICE THICKNESS IS ADJUSTABLE**
- | CONVENIENT TO OPERATE**
- | EASY TO INSTALL**



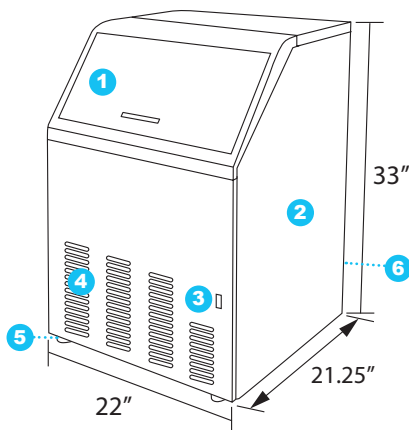
Authorized Dealer

ICE MAKERS

16-KG/35-LBS CAPACITY ICE MAKER



Components:



1. Plastic door
2. Stainless steel body
3. Power switch
4. Ventilation
5. Caster
6. Water inlet valve, water outlet & discharging hole



Water inlet valve
Drinkable water only.



Water outlet
Please connect the drainpipe provided with the machine.



Discharging hole
If ice maker needed to be off for a long time, open the plastic nut so the remaining water can be drained.

TECHNICAL SPECIFICATION

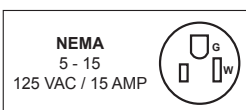
ITEM NUMBER	37865
MODEL	IC-CN-0016
MAX. PRODUCTION	150 lbs/ 68 kg per day
MAX. ICE STORAGE	16 kg/ 35 lbs
ICE SHAPE	Bullet
ELECTRICAL	115V / 60Hz / 1Ph
POWER	560w
CURRENT	7.5A - 11.8A
REFRIGERANT	R134a, 240g
WEIGHT	50 kg/ 110.25 lbs.
PACKAGING WEIGHT	55 kg/ 121.25 lbs.
DIMENSIONS	21.25" x 22" x 33" / 540 x 559 x 838 mm
PACKAGING DIMENSIONS	23" x 24" x 36" / 584 x 609.6 x 914 mm

Feature:



BULLET SHAPE
Adjustable Thickness

- Stainless steel body with plastic door
- Foaming body
- Come with an ice scoop, water supply pipe & drainpipe
- Produces ice bullet shape
- Ice making type: Water-spray
- Max. 35 lbs. ice storage
- Micro-computer electronic control technique
- Adjustable feet
- Excellent insulation to maintain cool temperature
- Condenser unit: air-cooled
- Equipped with drainpipe that spare water will be drained directly



OMCAN INC.

Telephone: 1-800-465-0234
 Fax: (905) 607-0234
 Email: sales@omcan.com
 Website: www.omcan.com



Follow us to keep up to date with the latest news and offers



2015.E.O.E