



DISPLAY WARMER

Hot Display Showcase with Front and Back Doors

Item #: 39999

Model: DW-CN-0136

Our new line of Elite Hot Display Showcase is made with high quality components.

Increase sales by displaying your hot foods with our Elite Series Omcan Display Warmers. These units are specifically designed to display hot food merchandise at proper serving temperatures and are widely used in the food service industry. These display warmers offers the convenience of self-serve and the efficiency of kitchen-to-server holding.



Locally QPS Approved



Authorized Dealer

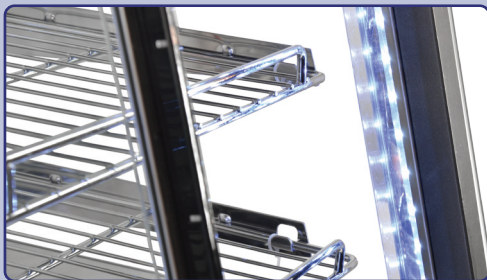
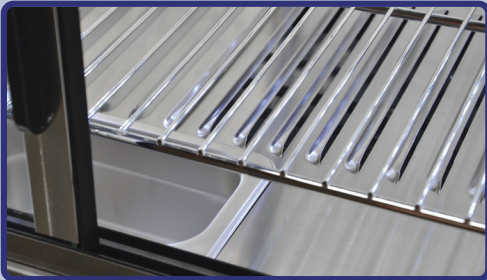


DISPLAY WARMER

Hot Display Showcase with Front and Back Doors

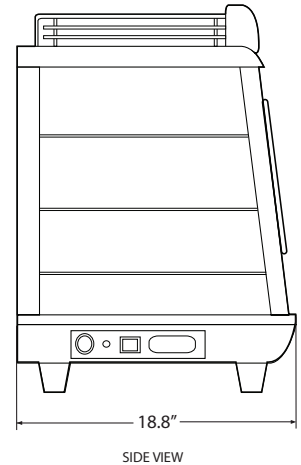
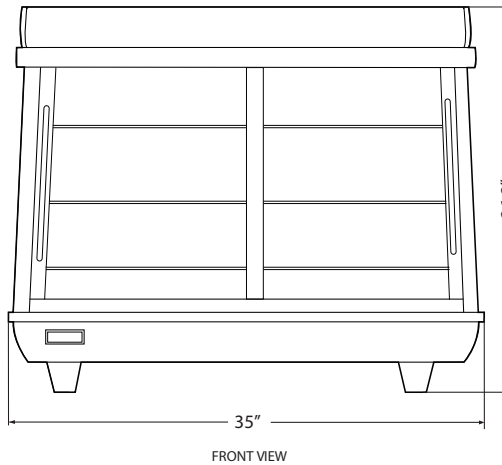


Detail Shots



Features:

- Brilliant Internal LED illumination on top.
- Adjustable temperature controller.
- Temperature display.
- Adjustable chrome plated shelves.
- Sliding doors located from the front and back.



PRODUCT SPECIFICATIONS

ITEM NUMBER	39999
MODEL	DW-CN-0136
TEMPERATURE RANGE	30°-90° C / 86-194°F
INPUT POWER	1.02 kW
AMPS	9.4
ELECTRICAL	110v/ 60 /1
LAMP POWER	1.44W X 3
STORAGE VOLUME	136L
SHELF DIMENSIONS	(Top) 33.7" x 11.3" / 856.8 x 286.5mm, (Middle) 33.7" x 12.4" / 856.8 x 316mm, (Bottom) 33.7" x 13.6" / 856.8 x 346.5mm
GRADE OF WATERPROOF	IPX3
DIMENSIONS (wdh)	35" x 18.8" x 26.2"
PACKAGING DIMENSIONS	38.3" x 21.7" x 27.4"
WEIGHT	136 lbs.

OMCAN INC.

Telephone: 1-800-465-0234
 Fax: (905) 607-0234
 E-mail: sales@omcan.com
 Website: www.omcan.com



Follow us to keep up to date with the latest news and offers



2015.E.O.E