



FOOD EQUIPMENT

SERVING THE FOOD INDUSTRY SINCE 1951

ELECTRIC TOMATO SQUEEZER WITH 0.40 HP

Item: 41418 | Model: TS-IT-0150

CREATE FRESH, SIGNATURE TOMATO SAUCE AND PASTE

Omcan's tomato squeezer enables the extraction of large quantities of tomato puree, separating it from seeds and skin. With its high power 0.40 HP motor, the TS-IT-0150 is ideal for those who require performance for medium to large production. The hopper, collector, and base are stainless steel; the worm and body are cast iron with double hot tinning, making this model a breeze to clean and sturdy to last during continuous usage. This model is also easy to disassemble, adding more effectiveness when cleaning. Made in Italy. Conforms to CSA standards.



WARRANTY
PARTS AND LABOR

CSA Approved



NEMA
5 - 15
125 VAC / 15 AMP



Authorized Dealer

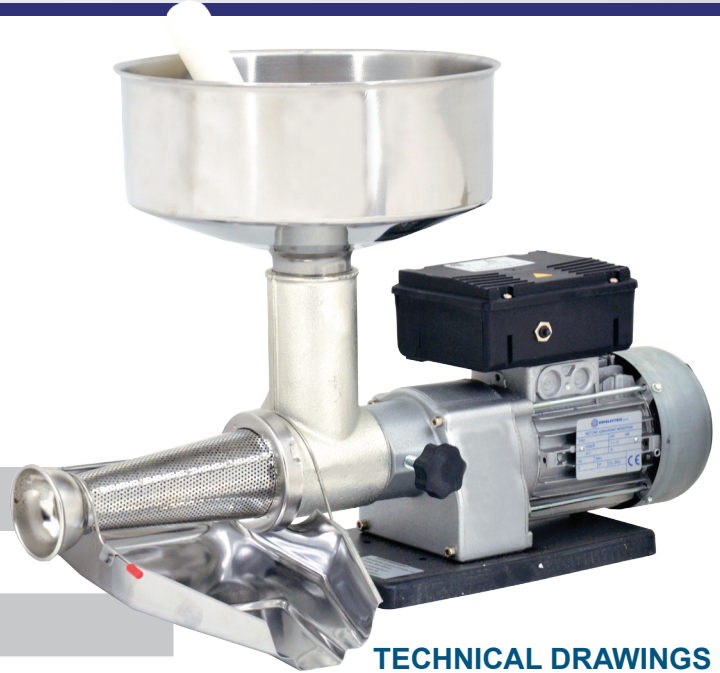
FOOD EQUIPMENT

ELECTRIC TOMATO SQUEEZER WITH 0.40 HP



FEATURES

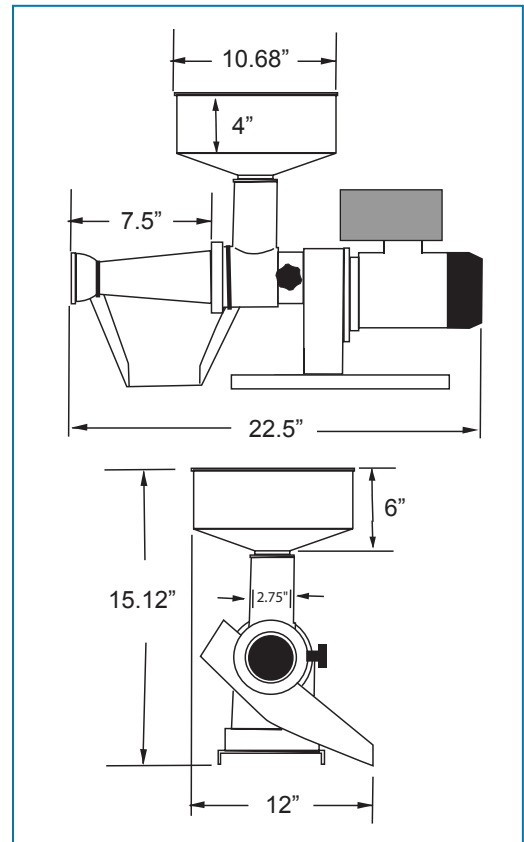
- Perfect for medium to large production
- Tinned cast iron body, auger, stainless steel hopper, collector, base, and filter
- Easy to disassemble for quick and easy cleaning
- Comes with stainless steel cover



TECHNICAL SPECIFICATIONS

ITEM NUMBER	41418
MODEL	TS-IT-0150
DESCRIPTION	Electric
HP	0.40 HP / 0.30 kW
WORM RPM	160
ELECTRICAL	120V / 60Hz / 1Ph
WEIGHT	23.1 lbs. / 10.5 kg.
GROSS WEIGHT	24 lbs. / 10.90 kg.
DIMENSIONS (DWH)	22.5" x 12" x 15.12" 571.5 x 304.8 x 384 mm
GROSS DIMENSIONS	19.25" x 11.25" x 12.25" 488.95 x 285.75 x 311.15 mm

TECHNICAL DRAWINGS AND DIMENSIONS



Meat Grinder Attachment

15232 | #12 Meat Grinder Attachment for 41418 Tomato Squeezer

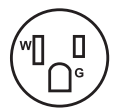


WARRANTY
PARTS AND LABOR

CSA Approved



NEMA
5 - 15
125 VAC / 15 AMP



OMCAN INC.

Telephone: 1-800-465-0234
Fax: (905) 607-0234
Email: sales@omcan.com
Website: www.omcan.com



Follow us to keep up to date with the latest news and offers



2016.E.O.E