



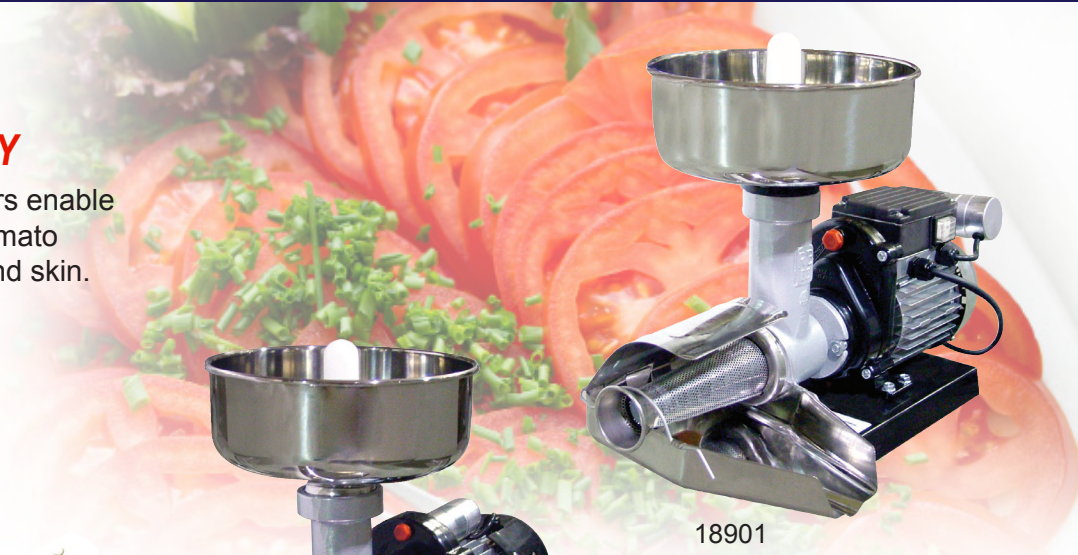
SERVING THE FOOD INDUSTRY SINCE 1951

ELECTRIC TOMATO SQUEEZERS

Item: 18901 Model: TS-IT-0110-S | Item: 18902 Model: TS-IT-0110-M | Item: 18903 Model: TS-IT-0110-L

SQUEEZE TOMATOES THE MOST EFFICIENT WAY

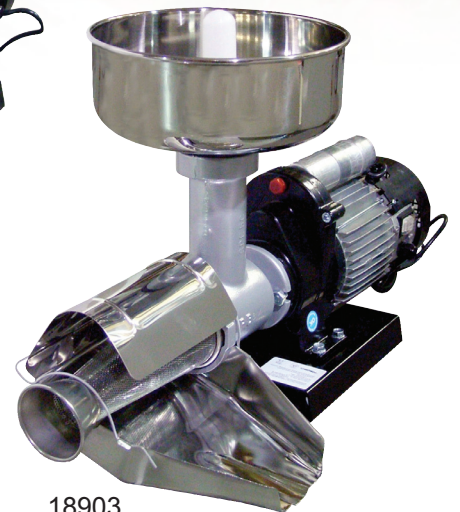
Omcans electric tomato squeezers enable extraction of large quantities of tomato puree, separating it from seeds and skin.



18901



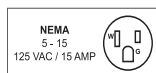
18902



18903



LIMITED WARRANTY
PARTS AND LABOR



Authorized Dealer

TECHNICAL SPECIFICATIONS

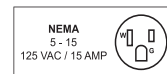
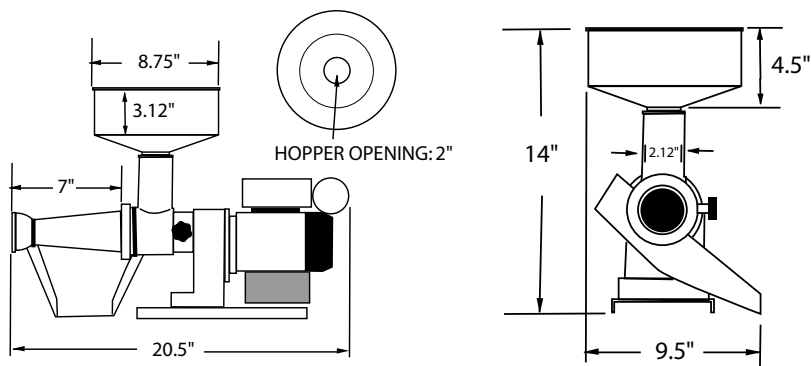
| | |
|----------------------|-----------------------------------------|
| ITEM NUMBER | 18901 |
| MODEL | TS-IT-0110-S |
| DESCRIPTION | Electric |
| POWER | 0.30 HP / 0.22 kW |
| WORM RPM | 110 |
| ELECTRICAL | 115V/60Hz/1Ph |
| WEIGHT | 20 lbs. / 9 kg. |
| PACKAGING WEIGHT | 21 lbs. / 10 kg. |
| DIMENSIONS (DWH) | 20.5" x 9.5" x 14" / 521 x 241 x 356 mm |
| PACKAGING DIMENSIONS | 16" x 9" x 11" / 406 x 229 x 279 mm |



Features:

- 0.30 Horsepower
- Worm and body is cast iron with double hot tinning
- Filter cone, funnel, and drip pan are entirely made of 18/10 stainless steel

TECHNICAL DRAWING AND DIMENSIONS



OMCAN INC.

Telephone: 1-800-465-0234
 Fax: (905) 607-0234
 Email: sales@omcan.com
 Website: www.omcan.com



Follow us to keep up to date with the latest news and offers



TECHNICAL SPECIFICATIONS

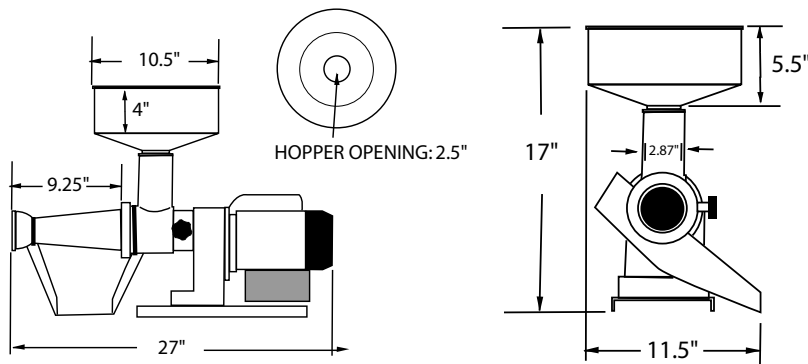
| | |
|----------------------|--------------------------------------|
| ITEM NUMBER | 18902 |
| MODEL | TS-IT-0110-M |
| DESCRIPTION | Electric |
| POWER | 0.40 HP / 0.30 kW |
| WORM RPM | 110 |
| ELECTRICAL | 115V/60Hz/1Ph |
| WEIGHT | 31 lbs. / 14 kg. |
| PACKAGING WEIGHT | 37 lbs. / 17 kg. |
| DIMENSIONS (DWH) | 27" x 12" x 13" / 686 x 305 x 330 mm |
| PACKAGING DIMENSIONS | 21" x 12" x 13" / 553 x 305 x 330 mm |



Features:

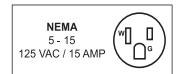
- 0.40 Horsepower
- Worm and body is cast iron with double hot tinning
- Filter cone, funnel, and drip pan are entirely made of 18/10 stainless steel

TECHNICAL DRAWING AND DIMENSIONS



Optional Meat Grinder Attachment

| ITEM NUMBER | DESCRIPTION |
|-------------|------------------------------|
| 20170 | # 12 Meat Grinder Attachment |



OMCAN INC.

Telephone: 1-800-465-0234
 Fax: (905) 607-0234
 Email: sales@omcan.com
 Website: www.omcan.com

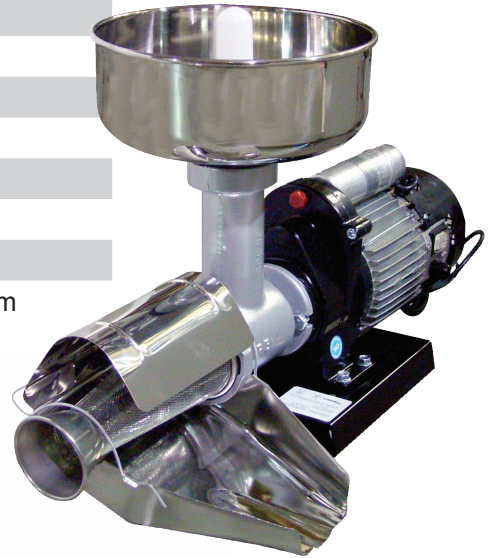


Follow us to keep up to date with the latest news and offers



TECHNICAL SPECIFICATIONS

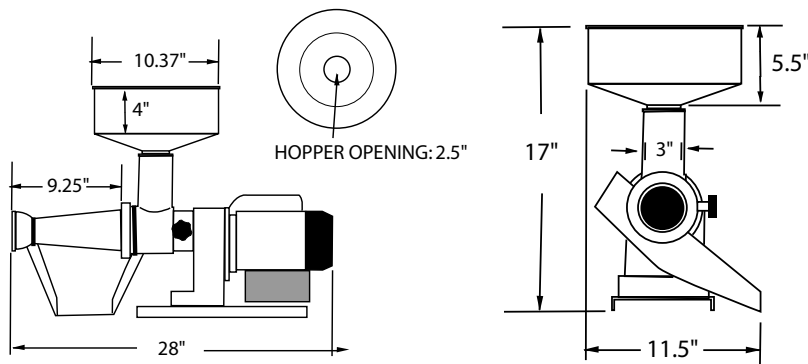
| | |
|----------------------|--------------------------------------|
| ITEM NUMBER | 18903 |
| MODEL | TS-IT-0110-L |
| DESCRIPTION | Electric |
| POWER | 0.80 HP / 0.60 kW |
| WORM RPM | 110 |
| ELECTRICAL | 115V/60Hz/1Ph |
| WEIGHT | 40 lbs. / 18 kg. |
| PACKAGING WEIGHT | 43 lbs. / 20 kg. |
| DIMENSIONS (DWH) | 28" x 11.5" x 17" / 711 x 292 x 432 |
| PACKAGING DIMENSIONS | 21" x 12" x 13" / 533 x 305 x 330 mm |



Features:

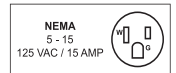
- 0.80 Horsepower
- Worm and body is cast iron with double hot tinning
- Filter cone, funnel, and drip pan are entirely made of 18/10 stainless steel

TECHNICAL DRAWING AND DIMENSIONS



Optional Meat Grinder Attachment

| ITEM NUMBER | DESCRIPTION |
|-------------|------------------------------|
| 20169 | # 22 Meat Grinder Attachment |



OMCAN INC.

Telephone: 1-800-465-0234
 Fax: (905) 607-0234
 Email: sales@omcan.com
 Website: www.omcan.com



Follow us to keep up to date with the latest news and offers

