



**FOOD EQUIPMENT**

**CENTER OF ALL YOUR FOOD SERVICE NEEDS**

## **WAFFLE MAKER WITH 1600 WATTS**

**Item: 39578**

**Model: CE-CN-0351**



Offer mouth-watering waffles with our Omcan Single Waffle Maker designed with heavy-duty cast iron grid which provides excellent results when making tasty and authentic waffles. This unit is equipped with a thermostat control to provide precise temperature control and adjustments. Excellent for cafes, hotels, restaurants, and buffets.



**LIMITED WARRANTY**  
PARTS AND LABOR



Authorized Dealer

# FOOD EQUIPMENT

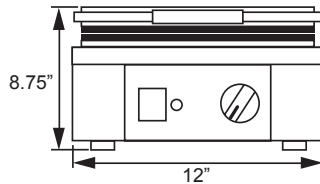
## WAFFLE MAKER WITH 1600 WATTS



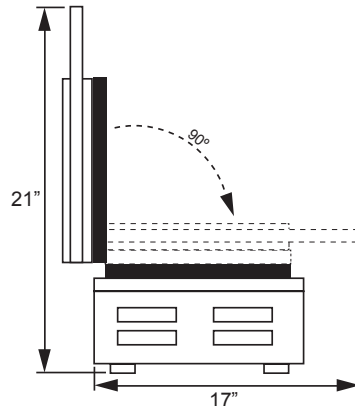
### FEATURES

- Brussel style waffle maker
- On/ off switch with power indicator
- Drip tray to reduce waste
- Thermostatic temperature controller
- Temperature range from 60° - 300°C / 140°- 570°F

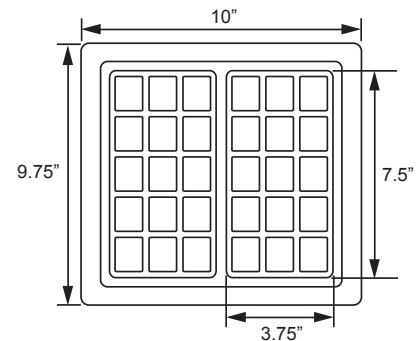
### TECHNICAL SPECIFICATION



(Front View)

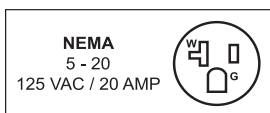


(Side View)



(Grill Plate)

SINGLE WAFFLE MAKER	
ITEM NUMBER	39578
MODEL	CE-CN-0351
POWER	1600W
POWER	120V/60Hz/1Ph
TEMPERATURE RANGE	60° - 300°C / 140° - 570°F
NUMBER OF WAFFLE	2
WAFFLE SIZE	7.5" x 3.5" / 190.5 x 89 mm
WEIGHT	37.5 lbs./ 17 kg.
PACKAGING WEIGHT	41.9 lbs./ 19 kg.
OVERALL DIMENSIONS (WDH)	12" x 17" x 8.75" x 8.75" (Close) or 21" (Open) / 305 x 432 x 222 mm (Close) or 533 mm (Open)
PACKAGING DIMENSIONS	18.8" x 15.7" x 13.5" / 478 x 400 x 345 mm



**LIMITED WARRANTY**  
PARTS AND LABOR

**OMCAN INC.**

Telephone: 1-800-465-0234  
 Fax: (905) 607-0234  
 Email: sales@omcan.com  
 Website: www.omcan.com



Follow us to keep up to date with the latest news and offers



2015.E.O.E