



# FOOD EQUIPMENT

SERVING THE FOOD INDUSTRY SINCE 1951

## STAINLESS STEEL GRIDDLE

ITEM: 34870 MODEL: CE-CN-4400

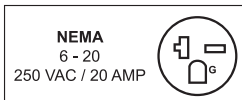


**GET YOUR MEALS COOKING  
AND TASTING GREAT IN NO TIME**

*Cook pancakes, eggs, bacon, hash browns and all of your favorite meals with Omcan's CE-CN-4400 Stainless Steel Griddle. Made up of stainless steel to ensure durability, it is designed to be safe and energy efficient. Features two independent thermostat controls.*



**WARRANTY**  
PARTS AND LABOR



SHIPPED ON PALLET



Authorized Dealer

# FOOD EQUIPMENT

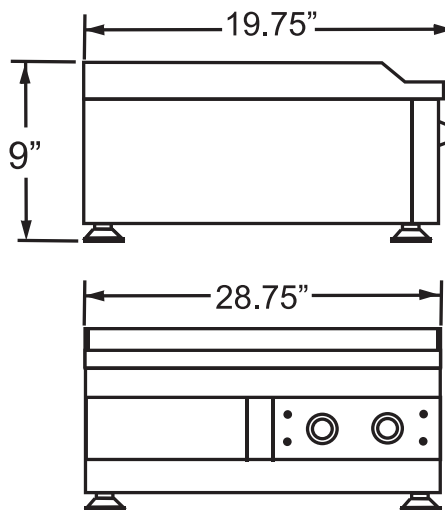
STAINLESS STEEL GRIDDLE CE-CN-4400 / 34870



## FEATURES

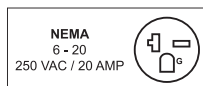
- Perfect for restaurants, hotels, etc.
- Stainless steel body with iron griddle
- Flat plate is made of high efficient cast iron
- Heavy duty heating element
- Two independent thermostat controls
- Temperature Range: 0°C - 300°C / 32°F - 572°F

## TECHNICAL DRAWING AND DIMENSIONS



## TECHNICAL SPECIFICATIONS

ITEM NUMBER	34870
MODEL	CE-CN-4400
POWER	4.4 kW
TEMPERATURE RANGE	0°C - 300°C / 32°F - 572°F
COOKING AREA	28.5" x 15.75" / 723.9 x 400 mm
ELECTRICAL	220V / 60Hz / 1Ph
WEIGHT	32 kg. / 70.5 lbs.
DIMENSIONS (DWH)	19.75" x 28.75" x 9" / 501.65 x 730.25 x 228.6 mm



## OMCAN INC.

Telephone: 1-800-465-0234

Fax: (905) 607-0234

Email: sales@omcan.com

Website: www.omcan.com



Follow us to keep up to date with the latest news and offers



2016.E.O.E