



KITCHEN EQUIPMENT

SERVING THE FOOD INDUSTRY SINCE 1951

13-INCH BLADE GEAR-DRIVEN AUTOMATIC SLICER

Item: 13645 Model: MS-IT-0330-A



CREATE PERFECT SLICES OF CHEESE AND MEAT

Omcan's 13-inch blade gear-driven automatic slicer provides long lasting heavy-duty performance and dependability. Its polished anodized aluminum body along with its high carbon, hard chromed blade provides long life and durability. This unit comes equipped with safety features.



WARRANTY
PARTS AND LABOR



NEMA
5 - 15
125 VAC / 15 AMP



Authorized Dealer

KITCHEN EQUIPMENT

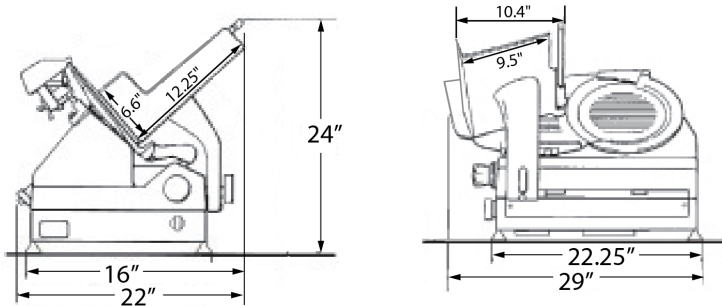
13-INCH BLADE GEAR-DRIVEN AUTOMATIC SLICER



- Suitable for cheese and hard meats
- Provides long lasting heavy-duty performance and dependability
- Gears are constantly bathed in oil
- Polished anodized aluminum body along with its high carbon, hard chromed blade provides long life and durability
- Equipped with safety features
- Easy to disassemble and clean

Comes with a ring guard. Safety options available.

TECHNICAL DRAWINGS AND DIMENSIONS



PRODUCT DETAILS



ITEM NUMBER

13645

MODEL

MS-IT-0330-A

BLADE SIZE

13" / 330 mm

POWER

2 x 0.50 HP / 0.37 kW

CHEESE SLICING*



SLICING VOLUME*

8 hours or more

RPM

250

SLICING CAPACITY

□ 10.2" x 6.69" / 260 x 170 mm
○ 9.25" / 235 mm

CUT THICKNESS

0 - 0.55" / 0 - 14 mm

ELECTRICAL

110V / 60Hz / 1Ph

NET WEIGHT

123.45 lbs. / 58 kg.

GROSS WEIGHT

149.9 lbs. / 68 kg.

DIMENSIONS (DWH)

22" x 29" x 24" / 558.8 x 736.6 x 609.6 mm

PACKAGING DIMENSIONS

36" x 33.75" x 29" / 914.4 x 857.25 x 736.6 mm

*CHEESE SLICING RATINGS ← NOT RECOMMENDED → POOR → AVERAGE → GOOD → EXCELLENT →

Results may vary due to product consistency and temperature.

OMCAN INC.

Telephone: 1-800-465-0234

Fax: (905) 607-0234

Email: sales@omcan.com

Website: www.omcan.com



Follow us to keep up to date with the latest news and offers



2016.E.O.E