

General Information

Project Name: _____

Consultant: _____

Item #: _____

Model #: _____

Quantity: _____



Specifications

FS-C Corner Utility Sink is constructed of 16GA type 300 series stainless steel, with integrated full-height apron and notched out front.

Sink bowl is 22^{1/2}" x 22^{1/2}" x 8^{1/2}" deep with built-in pitch to a 2" IPS drain w/ flat strainer. Overall size is 24" x 24" x 12" high. All corners are coved and all seams are fully welded and polished to a #4 finish.

Corner Utility Sink fits any corner and notch front eliminates the need to lift heavy buckets and spillage of dirty water onto the floor.

Product Guide

IMC Utility Sinks are easily cleanable without the use of tools. All corners are coved, and all seams are fully welded and polished.

Rugged type 300 series, 18-8 stainless steel construction, engineered to stand up under day-in and day-out abuse.

Options

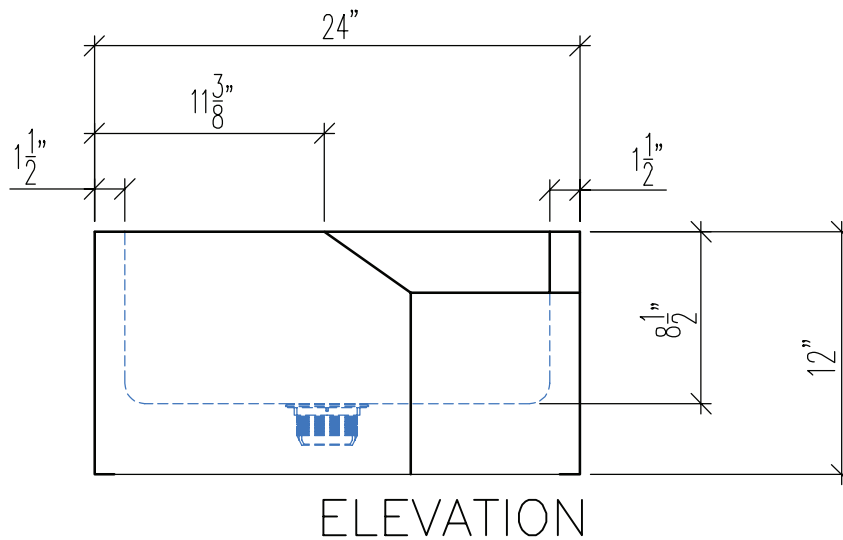
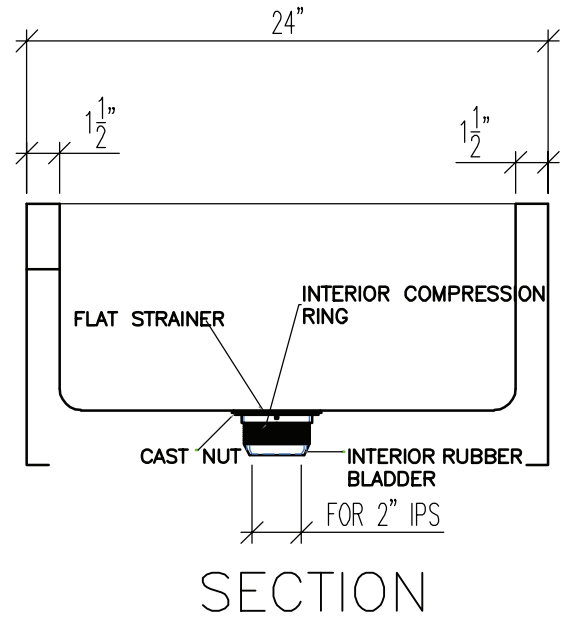
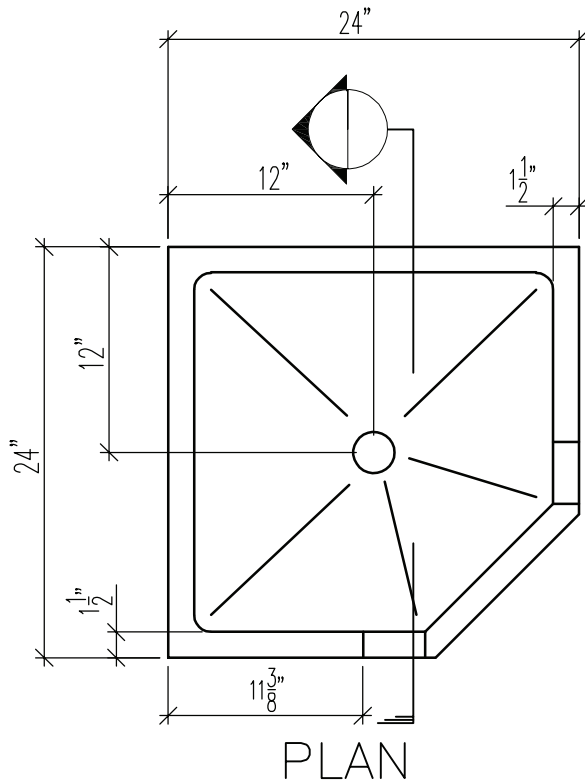
- SSF** - Wall Faucet
- HA** - 36" Hose
- MH3** - Mop Holder (3)
- MH4** - Mop Holder (4)
- MH5** - Mop Holder (5)
- LH6** - 6" High Legs
- BW-36** - Custom Bowl up to 36" x 36"
- FL48** - 48" High Flashing at Rear or Side
- FL48-W** - Welded 48" High Flashing on 2 Sides
- RSS8** - Rear & Side Splash 8" High
- USHC** - Corner Utility Shelf
- FF-50** - S/S Flanged Feet (Each)
- SEC** - Correctional Package



FS-C-20 0919



DRAWINGS



TRUE CORNER FLOOR SINK

Model	Bowl Size (W x L x H)	Overall Size (W x L x H)
□ FS-C	22½" x 22½" x 8½"	24" x 24" x 12"

Specifications subject to change without notice.

FS-C-20 0919