

General Information

Project Name: _____

Consultant: _____

Item #: _____

Model #: _____

Quantity: _____



Specifications

FS-D Model Standard Service/Utility Sink is 24" x 18" x 12" deep covered corner sink bowl with a built-in pitch to 2" IPS outlet.

Floor/Utility Sinks are constructed of 16GA type 300 stainless steel, with integrated full-height apron and notched out front.

Notched out front eliminates the need to lift heavy buckets and spillage of dirty water onto the floor.

Product Guide

IMC Utility Sinks are easily cleanable without the use of tools. All corners are coved, and all seams are fully welded and polished.

Rugged type 304, 18-8 stainless steel construction, engineered to stand up under day-in and day-out abuse.

Options

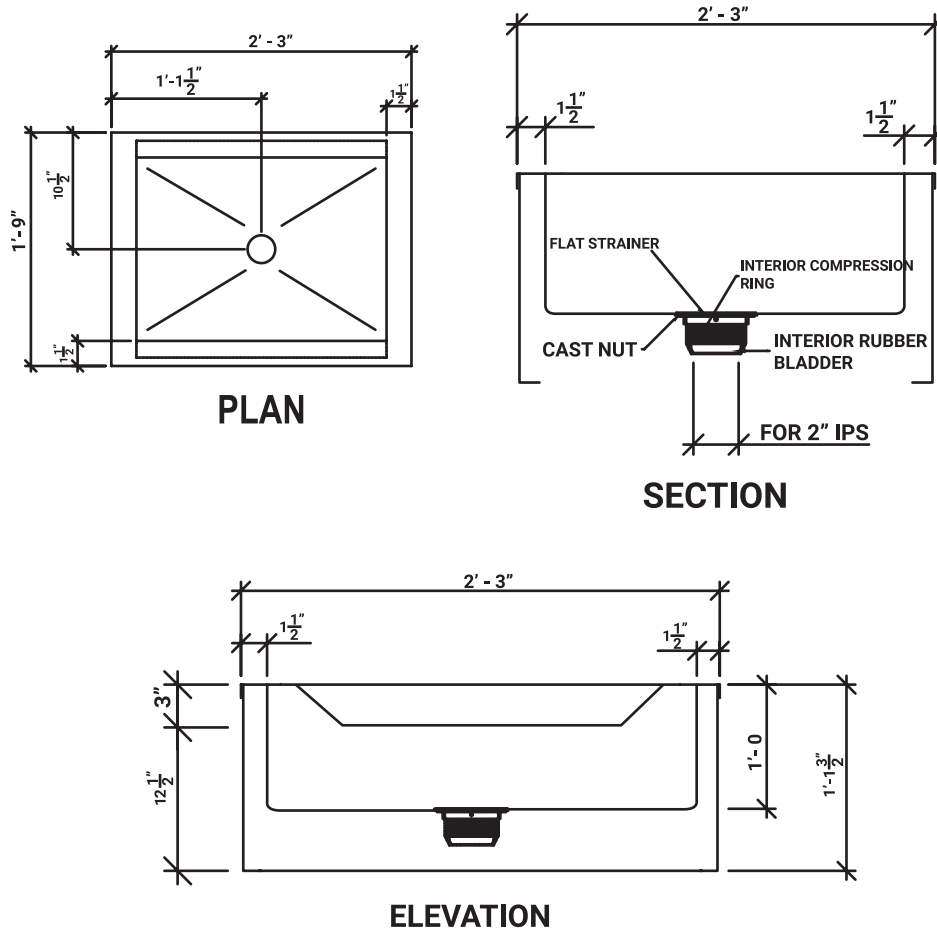
- SSF** - Wall Faucet
- HA** - 36" Hose
- MH3** - Mop Holder (3)
- MH4** - Mop Holder (4)
- MH5** - Mop Holder (5)
- LH6** - 6" High Legs
- IPS2** - 2" IPS Drain
- BW-36** - Custom Bowl up to 36" x 36"
- FL48** - 48" High Flashing at Rear or Side
- FL48-W** - Welded 48" High Flashing on 3 Sides
- RSS8** - Rear & Side Splash 8" High
- USH24** - 24" Utility Shelf
- USH36** - 36" Utility Shelf
- USHC** - Corner Utility Shelf
- MSR** - Lint Bucket (Mesh Strainer)
- FF-50** - S/S Flanged Feet (Each)
- SEC** - Correctional Package



FS-D-50 0220



DRAWINGS



DROP FRONT FLOOR SINK

| Model | Bowl Size (W x L x H) | Overall Size (W x L x H) |
|--------|-----------------------|--------------------------|
| □ FS-D | 24" x 18" x 12" | 27" x 21" x 15 1/2" |

Specifications subject to change without notice.

FS-D-50 0220