

## General Information

Project Name: \_\_\_\_\_

Consultant: \_\_\_\_\_

Item #: \_\_\_\_\_

Model #: \_\_\_\_\_

Quantity: \_\_\_\_\_



Shown w/  
Subway Grating (SG)



## Specifications

**FT** Floor Troughs are 14GA type 300 stainless steel, with large integral covers and pitched  $\frac{1}{4}$ " per foot to a  $6\frac{1}{2}$ " OD waste outlet with 4" OD tailpiece. Perforated waste basket provided at each drain. Anchor straps welded to the sides secure trough to the floor.

Recessed flange and 1" deep ledge for IMC grating are integral with the unit. Trough is 4" deep overall.

Joints are TIG welded and leak-proof. Exposed surfaces finished brush satin.

## Product Guide

Use for Institutional and Public Buildings or large food prep facilities.

Integral covers, deep pitch and a large waste cup, assure quick and complete drainage.

Recessed flange supports floor tile and provides a grout pocket.

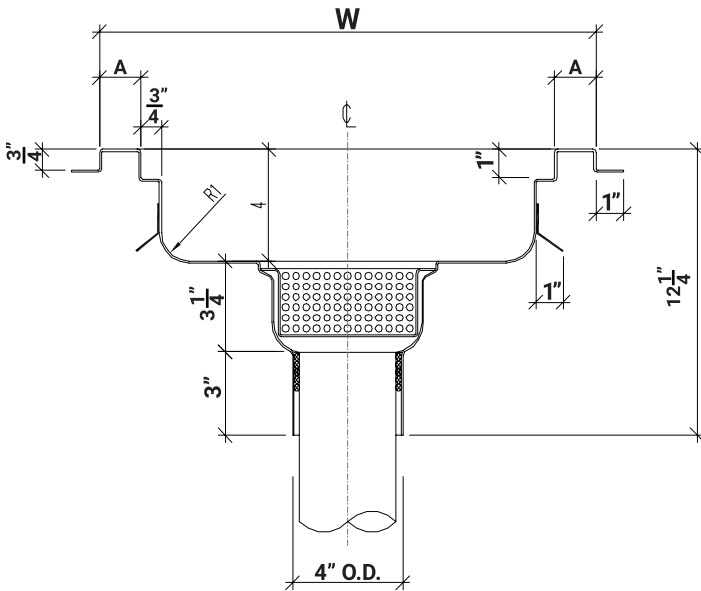
Setting frame for waterproof membrane and/or integral seepage flange with "weep" holes can be added for wet floor areas.

Extension arms and intersections available for multiple equipment layout.

## Options

- 3", 3½", 5", 6", 8" OD Tube (circle one)
- Waste Tube over 3" Long
- Additional Wastes
- Waste Cup Strainers
- Beehive Strainers
- Off Center Waste
- ST12** - Scrap Tray 12" Long
- Perforated Waste Pipe
- Special Size Setting Flange 2" Deep
- Special Size Setting Flange 2" to 4" Deep
- Oversize Waste Tube
- Lint Screen for Laundry Trough
- ST20** - Scrap Tray 20" Long
- Drain on the Side or End
- Rim on Drain
- Basket Strainer w/ Handle & Chain
- BXD** - Box Type Drain
- BSX** - Beehive Strainer for Box Drain
- GA-12** - 12GA Upgrade

### DRAWINGS

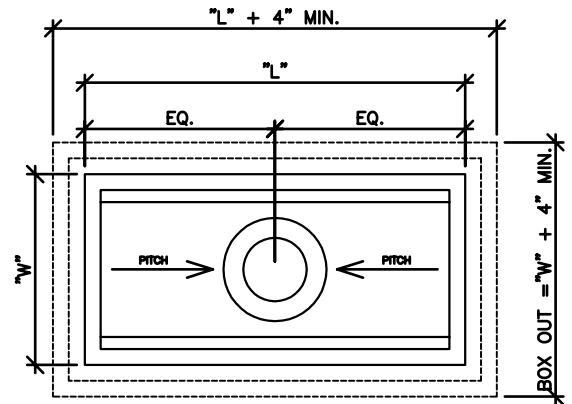


**A = 1" for Troughs up to 15" Wide**  
**A = 1 1/2" for Troughs over 15" Wide**

### Box Out Size

#### Trough Area

- Width (PIT) = Width ("W") + 4" Minimum
- Length (PIT) = Length ("L") + 4" Minimum
- Depth (PIT) = Depth of Trough + 1/2" + Finish Floor
- Size of Rough-In Hole For Drains 7 1/2" Ø Minimum



### STANDARD DESIGN FLOOR TROUGHS

Model	Size (W x L)	Model	Size (W x L)	Model	Size (W x L)	Model	Size (W x L)
□ FT-1224	12" x 24"	□ FT-1824	18" x 24"	□ FT-2424	24" x 24"	□ FT-3024	30" x 24"
□ FT-1230	12" x 24"	□ FT-1830	18" x 30"	□ FT-2430	24" x 30"	□ FT-3030	30" x 30"
□ FT-1236	12" x 36"	□ FT-1836	18" x 36"	□ FT-2436	24" x 36"	□ FT-3036	30" x 36"
□ FT-1248	12" x 48"	□ FT-1848	18" x 48"	□ FT-2448	24" x 48"	□ FT-3048	30" x 48"
□ FT-1260	12" x 60"	□ FT-1860	18" x 60"	□ FT-2460	24" x 60"	□ FT-3060	30" x 60"
□ FT-1272	12" x 72"	□ FT-1872	18" x 72"	□ FT-2472	24" x 72"	□ FT-3072	30" x 72"
□ FT-1284	12" x 84"	□ FT-1884	18" x 84"	□ FT-2484	24" x 84"	□ FT-3084	30" x 84"
□ FT-1296	12" x 96"	□ FT-1896	18" x 96"	□ FT-2496	24" x 96"	□ FT-3096	30" x 96"
□ FT-12108	12" x 108"	□ FT-18108	18" x 108"	□ FT-24108	24" x 108"	□ FT-30108	30" x 108"
□ FT-12120	12" x 120"	□ FT-18120	18" x 120"	□ FT-24120	24" x 120"	□ FT-30120	30" x 120"

Note - Standard troughs up to 96" have one (1) waste at center. Over 96", troughs have two (2) wastes equidistant.

Specifications subject to change without notice.

FT-60 0919