

General Information

Project Name: _____

Consultant: _____

Item #: _____

Model #: _____

Quantity: _____



Shown with
SQ Grid Style Grating



Specifications

FWR Floor Water Receptacles are 16GA type 300 series stainless steel one-piece construction. Horizontal corners are covered and the trough is integrally pitched toward a waste outlet with a stainless steel beehive strainer and a 4" OD tailpiece.

Recessed flange and 1" deep ledge for IMC grating are integral with the unit. Unit is 7½" wide and 4" deep.

Joints are TIG welded and leak-proof. Exposed surfaces finished brush satin.

Product Guide

Use for Commercial and Institutional Buildings or large food prep facilities.

Unit is generally used underneath Ice Machines or in front of walk-ins or large water discharge areas, in tight spaces.

Flexible design such as custom depths make this a versatile drain trough.

Recessed flange supports floor tile and provides a grout pocket.

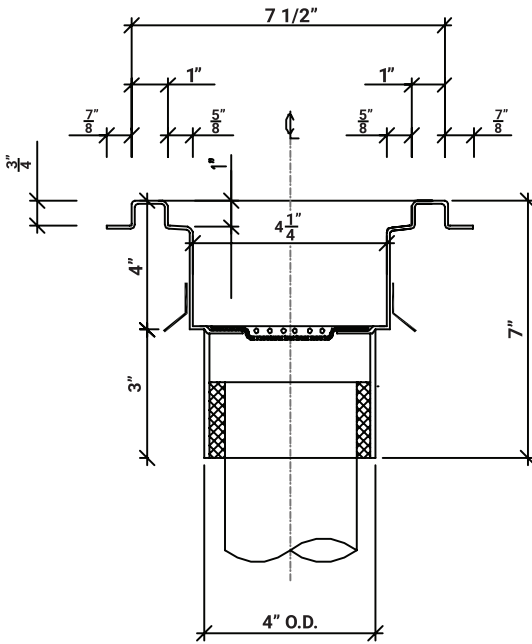
Setting frame for waterproof membrane and/or integral seepage flange with "weep" holes can be added for wet floor areas.

Options

- 3", 3½", 5", 6", 8" OD Tube (circle one)
- Waste Tube over 3" Long
- Additional Wastes
- Waste Cup Strainers
- Beehive Strainers
- Off Center Waste
- ST12** - Scrap Tray 12" Long
- Perforated Waste Pipe
- Special Size Setting Flange 2" Deep
- Special Size Setting Flange 2" to 4" Deep
- Oversize Waste Tube
- Lint Screen for Laundry Trough
- ST20** - Scrap Tray 20" Long
- Drain on the Side or End
- Rim on Drain
- Basket Strainer w/ Handle & Chain
- BXD** - Box Type Drain
- BSX** - Beehive Strainer for Box Drain
- GA-12** - 12GA Upgrade

FWR-70 0919

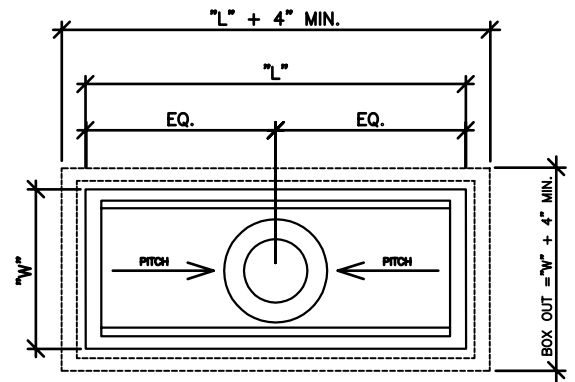
DRAWINGS



Box Out Size

Trough Area

- Width (PIT) = Width ("W") + 4" Minimum
- Length (PIT) = Length ("L") + 4" Minimum
- Depth (PIT) = Depth of Trough + 1/2" + Finish Floor
- Size of Rough-In Hole For Drains 7 1/2" \varnothing Minimum



FLOOR WATER RECEPTACLES

Model	Size (W x L)
□ FWR-24	7 1/2" x 24"
□ FWR-30	7 1/2" x 30"
□ FWR-36	7 1/2" x 36"
□ FWR-48	7 1/2" x 48"
□ FWR-60	7 1/2" x 60"
□ FWR-72	7 1/2" x 72"
□ FWR-84	7 1/2" x 84"
□ FWR-96	7 1/2" x 96"
□ FWR-108	7 1/2" x 108"
□ FWR-120	7 1/2" x 120"

Note: For longer lengths, contact factory.

Specifications subject to change without notice.

FWR-70 0919