

### General Information

Project Name: \_\_\_\_\_

Consultant: \_\_\_\_\_

Item #: \_\_\_\_\_

Model #: \_\_\_\_\_

Quantity: \_\_\_\_\_



Model #FWT  
Shown w/ Undersshelf

### Specifications

**FW** Filler Worktable is made of 14GA or 16GA type 300 series stainless steel.

The unit includes a square edge & undersshelf.

### Product Guide

### Options

- Custom Sizes

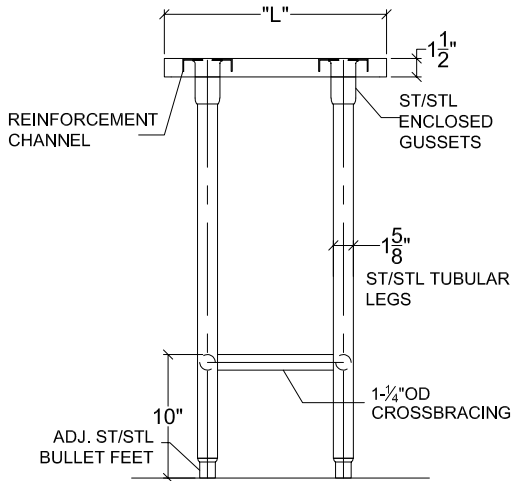
## FILLER WORKTABLE



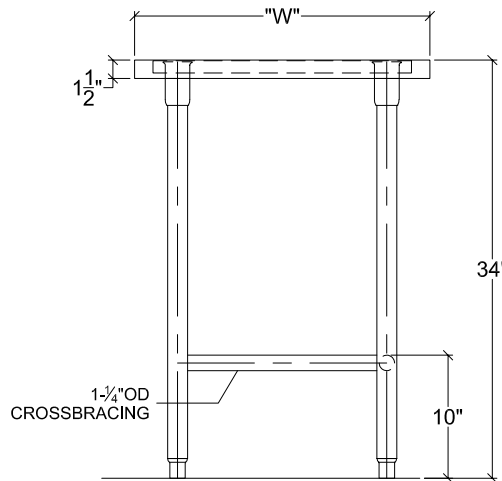
Filler Table w/ Crossrails						Filler Table w/ Undersshelf					
14GA Model	Size (W x L)	Weight	16GA Model	Size (W x L)	Weight	14GA Model	Size (W x L)	Weight	16GA Model	Size (W x L)	Weight
<input type="checkbox"/> FWTC-2412	24" x 12"	34 lbs	<input type="checkbox"/> FWTC-2412-16	24" x 12"	32 lbs	<input type="checkbox"/> FWT-2412	24" x 12"	42 lbs	<input type="checkbox"/> FWT-2412-16	24" x 12"	40 lbs
<input type="checkbox"/> FWTC-2415	24" x 15"	38 lbs	<input type="checkbox"/> FWTC-2415-16	24" x 15"	36 lbs	<input type="checkbox"/> FWT-2415	24" x 15"	46 lbs	<input type="checkbox"/> FWT-2415-16	24" x 15"	44 lbs
<input type="checkbox"/> FWTC-2418	24" x 18"	40 lbs	<input type="checkbox"/> FWTC-2418-16	24" x 18"	38 lbs	<input type="checkbox"/> FWT-2418	24" x 18"	48 lbs	<input type="checkbox"/> FWT-2418-16	24" x 18"	46 lbs
<input type="checkbox"/> FWTC-3012	30" x 12"	38 lbs	<input type="checkbox"/> FWTC-3012-16	30" x 12"	36 lbs	<input type="checkbox"/> FWT-3012	30" x 12"	46 lbs	<input type="checkbox"/> FWT-3012-16	30" x 12"	44 lbs
<input type="checkbox"/> FWTC-3015	30" x 15"	40 lbs	<input type="checkbox"/> FWTC-3015-16	30" x 15"	38 lbs	<input type="checkbox"/> FWT-3015	30" x 15"	48 lbs	<input type="checkbox"/> FWT-3015-16	30" x 15"	46 lbs
<input type="checkbox"/> FWTC-3018	30" x 18"	44 lbs	<input type="checkbox"/> FWTC-3018-16	30" x 18"	42 lbs	<input type="checkbox"/> FWT-3018	30" x 18"	52 lbs	<input type="checkbox"/> FWT-3018-16	30" x 18"	50 lbs
<input type="checkbox"/> FWTC-3612	36" x 12"	40 lbs	<input type="checkbox"/> FWTC-3612-16	36" x 12"	38 lbs	<input type="checkbox"/> FWT-3612	36" x 12"	48 lbs	<input type="checkbox"/> FWT-3612-16	36" x 12"	46 lbs
<input type="checkbox"/> FWTC-3615	36" x 15"	44 lbs	<input type="checkbox"/> FWTC-3615-16	36" x 15"	42 lbs	<input type="checkbox"/> FWT-3615	36" x 15"	52 lbs	<input type="checkbox"/> FWT-3615-16	36" x 15"	50 lbs
<input type="checkbox"/> FWTC-3618	36" x 18"	49 lbs	<input type="checkbox"/> FWTC-3618-16	36" x 18"	47 lbs	<input type="checkbox"/> FWT-3618	36" x 18"	57 lbs	<input type="checkbox"/> FWT-3618-16	36" x 18"	55 lbs

**DRAWINGS**

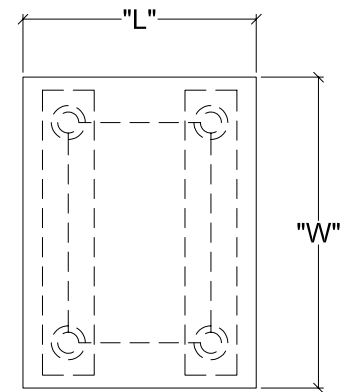
**Model #FWTC**



**ELEVATION**

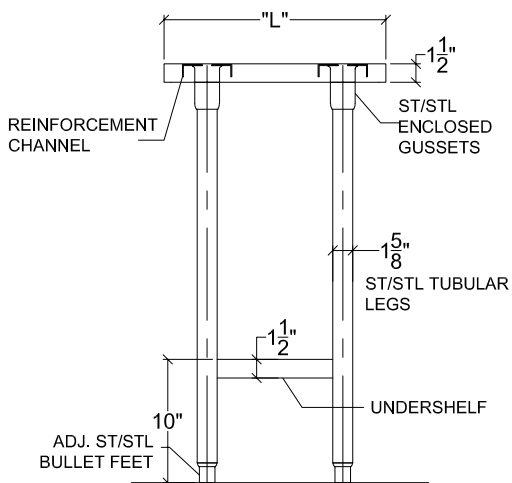


**SIDE ELEVATION**

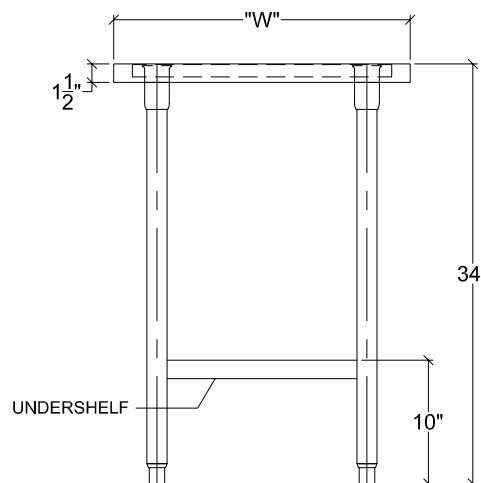


**PLAN**

**Model #FWT**



**ELEVATION**



**SIDE ELEVATION**

Specifications subject to change without notice.

FW-30 0220