



Master Series Spreader Plates & Cabinets

Item: _____
 Quantity: _____
 Project: _____
 Approval: _____
 Date: _____

Master Series Spreader Plates & Cabinets

Models:

- | | | |
|--------------------------------|--------------------------------|---------------------------------|
| <input type="checkbox"/> M12ES | <input type="checkbox"/> M17ES | <input type="checkbox"/> M24ES |
| <input type="checkbox"/> M12SP | <input type="checkbox"/> M17SP | <input type="checkbox"/> M24SP |
| | | <input type="checkbox"/> M24SPT |



Model M17ES

Standard Features:

- Stainless steel front and sides
- 7-1/2" (191mm) stainless steel front rail
- Stainless steel top plate
- 1-1/4" NPT manifold joins adjacent equipment
- Cabinet storage base interior of aluminized steel

Optional Features:

- Stainless steel back
- Stainless steel common front rail up to 68" (1728mm) wide (two or more units in a battery)
- Stainless steel tubular high shelf, single or double deck
- Stainless steel backguard: 10" (354mm), 17" (432mm) or 33" (838mm) High

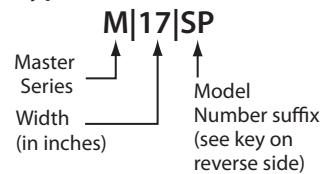
- Stainless steel sink
- 1 1/4" and 2" NPT rear gas connection for 12" (308mm), 17" (432mm), and 24" (610mm) spreaders.
- Swivel casters (4) w/front brakes, (cabinets only)
- Polyurethane non-marking swivel casters (4) w/front brakes (cabinets only)
- 6" (152mm) stainless steel adjustable legs (cabinets only)
- Storage base shelf of aluminized or stainless steel in 17" (432mm) and 24" (610mm) cabinets.

***Note all spreader plate and cabinet models require a high shelf or back guard.**

Specifications:

Spreader plates provide additional work space between ranges or at the end of a battery. A 1-1/4" NPT manifold joins adjacent equipment for a continuous battery design, protected by a stainless steel manifold cover. Standard widths are 12" (610mm), 17" (432mm) and 24" (610mm), (Special sizes are available.) Spreader plate is available as modular (24") or cabinet base. Front enclosures are available as stainless steel and completely removable pieces as special. Available in standard widths listed above, as well as special sizes. Cabinets have stainless steel doors and sides on 17" (432mm) and 24" (610mm).

Typical Model Number



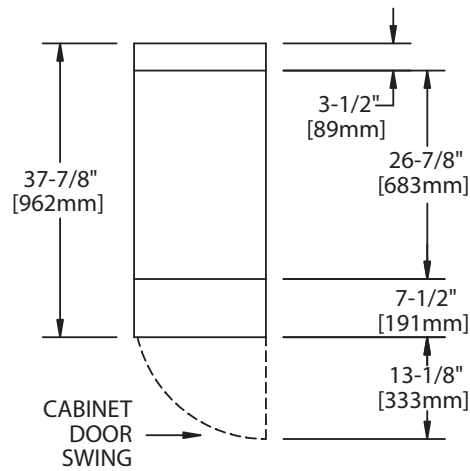
Model Number Suffixes:

SP = Spreader Plate only. Available in 12" (308mm), 17" (432mm) and 24" (610mm). and 34" (864mm) widths *

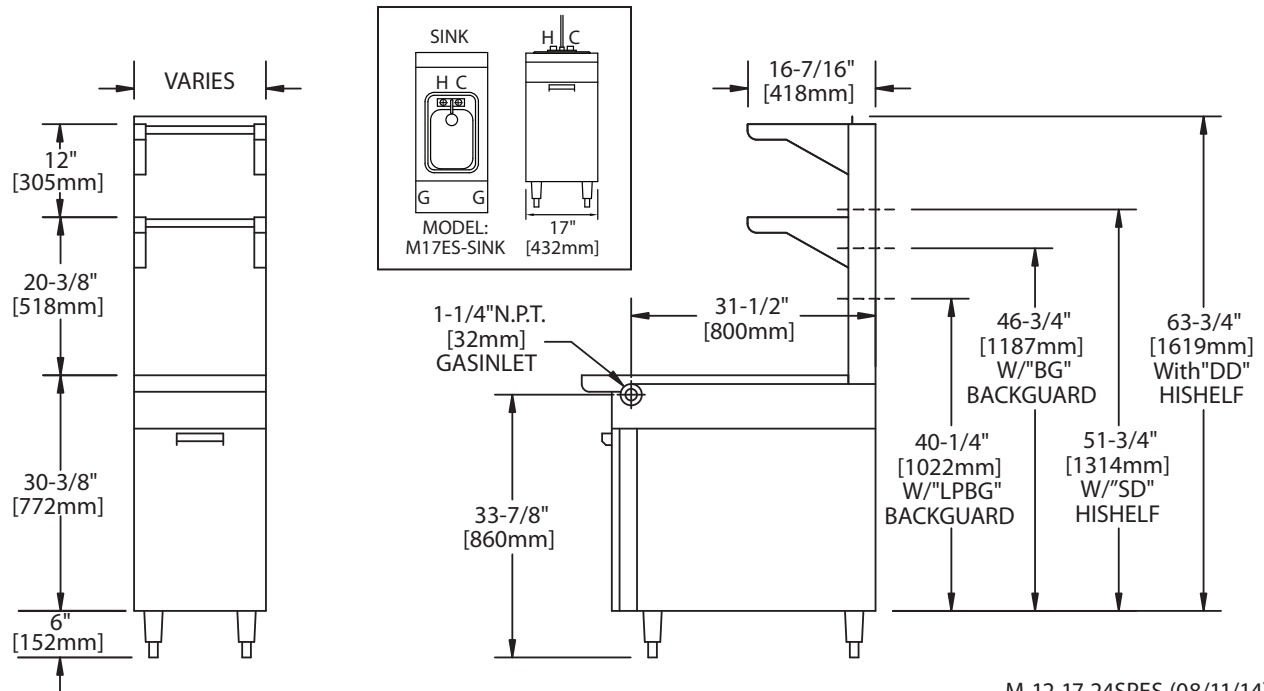
ES = Full Spreader Cabinet. Available in 12" (308mm), with door on 17" (432mm) and 24" (610mm).*

SPT = 24" (610mm) Spreader Plate - "Modular" to match other modular top sections and for use with refrigerated bases.

* Special widths available upon request (additional charge).



SHIPPING					
Model	Lb/Kg	Cu Ft	Model	Lb/Kg	Cu Ft
M12SP	50/23	7	M12ES	125/56	19
M17SP	75/34	9	M17ES	175/79	24
M24SP	105/48	11	M24ES	190/86	20
M24SPT	105/48	11			



M-12-17-24SPES (08/11/14)