



Master Series Heavy Duty Range-Match Char-Broiler

Item: _____
 Quantity: _____
 Project: _____
 Approval: _____
 Date: _____

Master Series Heavy Duty Range-Match Char-Broiler

Models:

- M17B M24B M34B
 M17BT M24BT M34BT

Range-Match Char-Broilers



Model M34B
(valve control panel not as depicted)

Standard Features:

- Stainless steel front doors
- Stainless steel front and sides
- Stainless steel front rail
- 1-1/4" NPT front manifold
- Dual sided, cast iron broiler grates with 1/2" (13mm) rounded bar, (board brand) and diamond (fine) pattern on opposite sides
- 15,000 BTU (4.39 kW) burners,
- Piezo spark ignition with constant burning pilots
- Storage base interior of aluminized steel
- Modular top broilers (suffix "BT"), modular broiler is 14-1/2" (368mm) from broiler base to working height
- 6" (152mm) chromed steel adjustable legs

Optional Features:

- Stainless steel main back
- Rear gas connection; 3/4" NPT
- Gas regulator 3/4" or 1-1/4"
- Gas shut off valve; 3/4", 1" or 1-1/4" NPT
- Gas flex hose & quick disconnect (3/4", 1" or 1-1/4" NPT x 5') w/ restraining device, please specify
- End caps and cover (NC, specify)
- Stainless steel backguard: 10" (354mm), 17" (432mm) or 33" (838mm)
- Dual-sided, steel diamond, (fine) in lieu of cast iron grate
- Dais Base (storage base models)
- Set of (4) Polyurethane non-marking swivel casters with front brakes
- 6" (152mm) stainless steel adjustable legs

Specification:

Master Series Char-broiler with stainless steel front & black power coat sides. Broiling area consists of heavy duty rack sections which are easily moved for flat or tilt position broiling. Dual sided, cast iron broiler grates with 1/2" (13mm) rounded bar, (board brand) and diamond (fine) pattern on opposite side. 15,000 BTU (4.39 kW) burners controlled by individual Hi-Lo valves. Large capacity full length grease drawers. Heavy-weight, long lasting briquettes. Cabinet, 17" (432mm), 24" (610mm), or 34" (864mm), wide by 34" (869mm) deep, with two stainless steel full-sized hinged doors and front. Natural gas or propane. Available in modular models, suffix BT

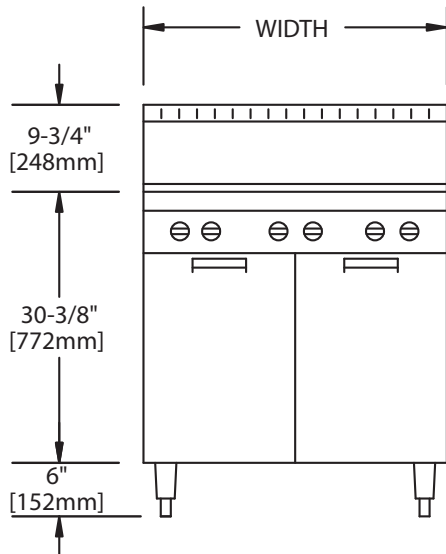
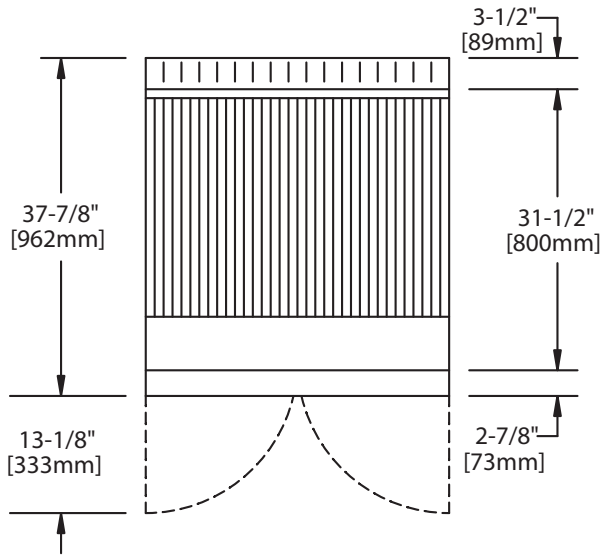


NOTE: Broilers supplied with casters must be installed with an approved restraining device.



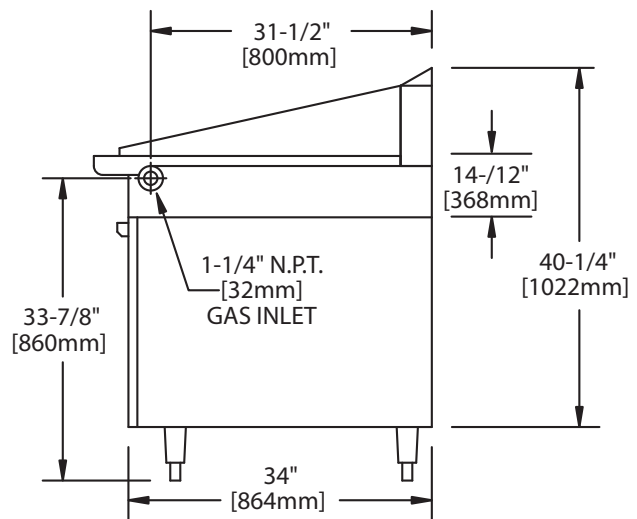
INPUT SPECIFICATIONS	M17B/BT	M24B/BT	M34B/BT
Input	45,000 BTU (13.2 kW)	60,000 BTU (17.6 kW)	90,000 BTU (26.4 kW)
Inlet/Manifold Size	1-1/4" NPT	1-1/4" NPT	1-1/4" NPT

INSTALLATION NOTES		
Installation Clearances¹	Entry Clearances	Operating Pressure
Clearance: 0" for Installation in Non-Combustible Surroundings Only	Crated: 39-1/4" (997mm) Uncrated: 34-1/4" (870)	Natural: 6" WC (15mbar) Propane: 10" WC (25mbar)



PRODUCT	Width: In(mm)	Depth: In(mm)	Shipping	
			Cu Ft	Shipping Wt: (Lb/Kg)
M17B	17(432)	38(965)	24	235/107
M17BT	17(432)	38(965)	10	135/60
M24B	24(612)	38(965)	30	330/150
M24BT	24(612)	38(965)	16	230/105
M34B	34(864)	38(965)	48	510/231
M34BT	34(864)	38(965)	24	390/180

¹NOTE: Installation clearance reductions are applicable only where local codes permit.
Data applies only to North America
Gas input ratings shown here are for installations up to 2,000 ft. (610m) above seal level. Specify altitudes over 2,000 ft.
Please specify gas type when ordering.



Garland/U.S. Range products are not approved or authorized for home or residential use, but are intended for commercial applications only. Garland / U.S. Range will not provide service, warranty, maintenance or support of any kind other than in commercial applications.

Form# M17BM24BM34B (04/09/13)