

Project: _____	AIA# _____
Item #: _____ Qty: _____	SIS# _____
Model #: _____	

## Back Bar Coolers Two, Three and Four Door Remote



BB48L-BS(LR)



**Intertek** 4004503

Conforms to NSF/ANSI STD 7 and UL STD 471  
Certified to CSA STD C22.2 No. 120  
Meets NSF 7 requirements for open food storage



**Intertek**

BB - ( )

**Size:**  
48 = 48" Two Door  
72 = 72" Three Door  
96 = 96" Four Door

**Refrigeration  
Hook-Up Location:**  
L = Left or R = Right

† Specify a hinge location for each door

**Door Hinge Location†:**  
(from left to right)  
L = Left or R = Right

**Top Style:**  
N = No finished top  
L = Laminated  
S = Stainless

**Door Style:**  
B = Black vinyl-clad  
U = Unlaminated  
L = Laminated  
S = Stainless  
G = Glass  
X = Stainless Glass  
Y = Laminated Glass

### Standard Features

- Remote unit
- All stainless steel interior with radius corners is easy to keep clean
- Locking doors
- LED interior lighting
- Any door opening may be converted to draft dispensing
- Available without a finished top for integrated installation below customer supplied bar top
- 180° swinging doors
- Leg sockets recessed into base

### Specifications

#### Electrical

- 120V, 1 phase, 60 Hz
- Dedicated 15 amp circuit is required
- 14 gauge wire connection is made inside the cooler next to evaporator housing - interior access is through on of the 3/4" side knock-out holes (electrician's choice)

#### Refrigeration

- R134a or R404a expansion valve & temperature control included. Specify type required when ordering.
- Refrigeration system capacity requirements\*:  
BB48 - 1,185 BTU/hr  
BB72 - 1,730 BTU/hr  
BB96 - 2,015 BTU/hr
- \* BTU/hr design loads are figured assuming 85° F ambient, all glass doors, maximum internal loading, and average compressor cycling. No solar heat gain has been accounted for.

- All refrigeration hookups are made at the installation site

#### Plumbing

- A six foot length of 1/2" ID by 5/8" OD plastic tubing is provided to drain condensate. The tubing should exit through one of the 3/4" side knock-out holes (installer's choice). The maximum drainage is one ounce per hour - consult local codes for compliance - a floor drain may be required

#### Shelving

- Two adjustable coated shelves and one bottom coated rack per door included

#### Materials

- Stainless steel parts include: interior, front of cabinet, hinges, hinge and lock brackets, and optional legs
- Black vinyl-clad steel parts include: standard sides and doors
- Galvanized steel parts include: exterior sub-top, back and bottom
- Zinc plated CR steel parts include: leg sockets

#### Weight Bearing Capacity

- Counter tops and other accessories should not exceed 500 pounds per door

Capacities	BB48	BB72	BB96
• 12 oz. bottles, cases	16.2	25.9	35.7
• 750ml wine bottles*	148	234	318
• 1/2 barrel kegs	2	4	5
• 1/6 barrel kegs	7	11	17

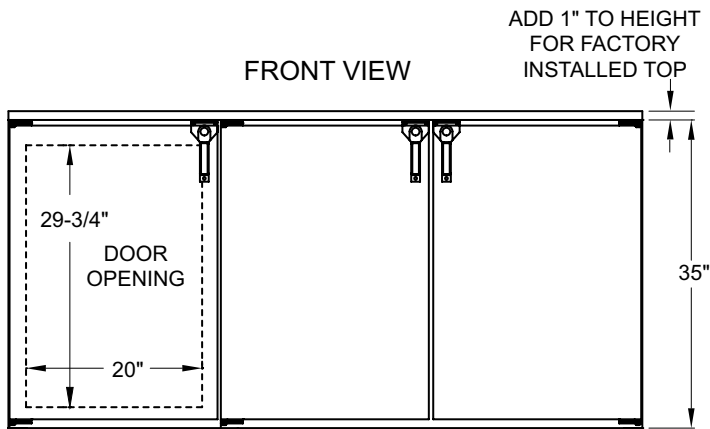
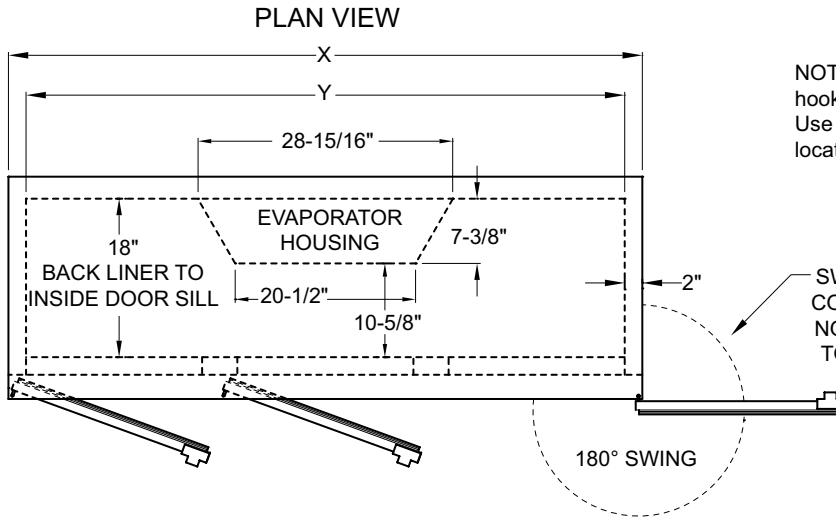
**Glastender, Inc.** • 5400 N Michigan Rd • Saginaw, MI • 48604-9780  
989.752.4275 • 800.748.0423 • Fax 989.752.4444  
www.glastender.com

Approval/Notes:

Specifications subject to change without notice. For current specifications please visit our website.

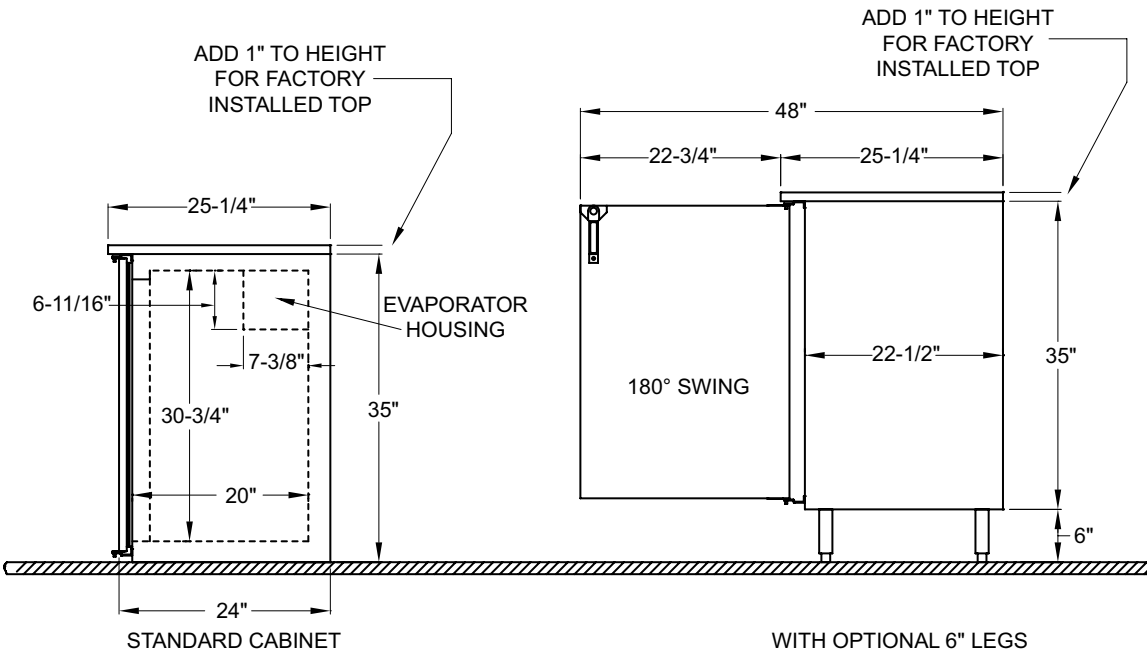
# Remote Back Bar Coolers

## Dimensional Information



Model	X	Y	Doors
BB48	48"	44"	2
BB72	72"	68"	3
BB96	96"	92"	4

### SIDE VIEWS



5400 N Michigan Rd • Saginaw, MI • 48604-9780  
 989.752.4275 • 800.748.0423 • Fax 989.752.4444  
 www.glastender.com