

Project: _____	AIA# _____
Item #: _____ Qty: _____	SIS# _____
Model #: _____	

Beer Drainers

See reverse side for model number key



BDB-18
shown in an installation setting



Intertek
4004503
Conforms to ANSI/NSF STD 2

To view underbar installation instructions, please visit: http://www.glastender.com/PDF/F-750-165_Underbar_Installation_Instructions.pdf
 To view cleaning and care instructions, please visit: http://www.glastender.com/PDF/F-423-011_ss_clean_care.pdf

Specifications	Product Information
-----------------------	----------------------------

Drain

- 1-1/2" I.P.S. Threaded drain will fit Dearborn part #8033 slipnut and part #W-573P washer.

Tubing Chase

- 6" by 6" by 8" high

Legs

- 1-5/8" diameter, 16 gauge stainless steel
- Stainless steel bullet feet

Materials

- 20 gauge stainless steel

Beer Drainers have a 26" high, lowered work surface and are designed specifically for use with undercounter mounting beverage dispensers. The work surface includes a drain pan with perforated insert to serve as the drip pan for the dispenser and a special notched rear deck for beverage line access. Since the rear work surface is notched, the beverage lines can be installed prior to the beer drainer.

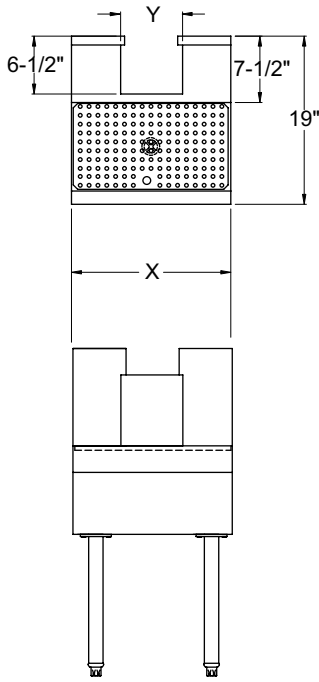
Glastender, Inc. • 5400 North Michigan Road • Saginaw, MI • 48604-9780 989.752.4275 • 800.748.0423 • Fax 989.752.4444 www.glastender.com	Approval/Notes:
Specifications subject to change without notice. For current specifications please visit our website.	

Beer Drainers

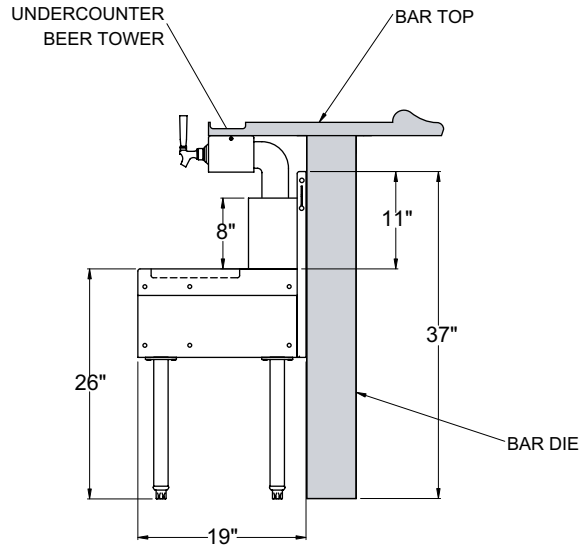
Dimensional Information

"A" Depth-19" Deep Models

Model BDA-18 shown



PLAN VIEW



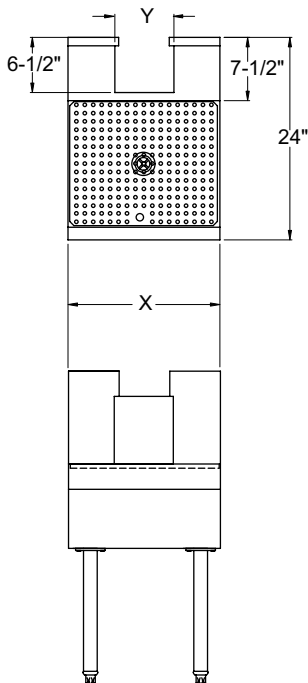
SIDE ELEVATION

FRONT ELEVATION

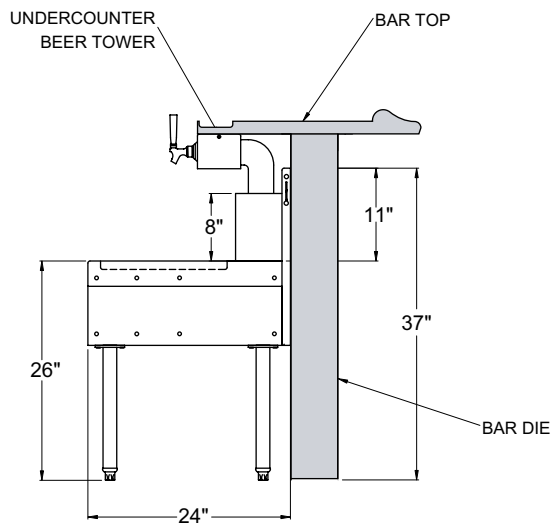
Model Number	X	Y
BDA-18	18"	7"
BDA-24	24"	7"
BDA-30	30"	13"
BDA-36	36"	13"

"B" Depth-24" Deep Models

Model BDB-18 shown



PLAN VIEW



SIDE ELEVATION

FRONT ELEVATION

Model Number	X	Y
BDB-18	18"	7"
BDB-24	24"	7"
BDB-30	30"	13"
BDB-36	36"	13"



5400 North Michigan Road • Saginaw, MI • 48604-9780
 989.752.4275 • 800.748.0423 • Fax 989.752.4444
 www.glastender.com