

| | |
|--------------------------|------------|
| Project: _____ | AIA# _____ |
| Item #: _____ Qty: _____ | SIS# _____ |
| Model #: _____ | |

Combo Ice Bins

See reverse side for model number key



C-CBA-36L



Standard Features

- All stainless steel construction
- PVC plastic breaker strip around ice bin liner acts as a thermal barrier to prevent heat transfer
- CFC free foamed-in-place insulation
- Adjustable thermoplastic bullet feet
- Ten circuit available with all models (add suffix '-CP10' to model number)
- Backsplash is an open channel to provide access for beverage lines
- Combo Ice Bins combine separate draining ice bin and bottle well compartments into one integral unit. The fully insulated 12" bottle well may be located on the left, right, or both sides of the ice bin.

NOTE: Ice bins intended to store potable ice must be ordered with an ice bin cover to maintain the sanitation listing.

Specifications

Drain

- Bottle well and main liner without cold plate models: 1-1/2" tailpiece
- Ten circuit cold plate model '-CP10': 3/4" MPT

Cold Plate (models with '-CP10' suffix)

- Ten circuit available
- Connection is 5/16" O.D. stainless steel tubing with swaged end

Liner Depth

- 10-1/2"

Legs

- 1-5/8" diameter, 16 gauge stainless steel
- Thermoplastic bullet feet

Materials

- 20 gauge stainless steel
- PVC plastic breaker strip around ice bin liner

Accessories

| | |
|---------|--|
| C-SR-X | Single speed rail, where X is specified as the length in inches. |
| C-DR-X | Double speed rail, where X is specified as the length in inches. |
| IBCA-24 | 24"w ice bin cover for C-CBA-36 or C-CBA-48 |
| IBCA-30 | 30"w ice bin cover for C-CBA-42 |
| IBCA-36 | 36"w ice bin cover for C-CBA-48L or R |
| BR3 | 3 bottle rack placed in bottle well to assist with holding pour and store bottles. Each well may hold two BR3 racks. |
| CCD | Condiment dispenser |
| IBD-H-A | Ice bin divider for 19"d (A) ice bin |

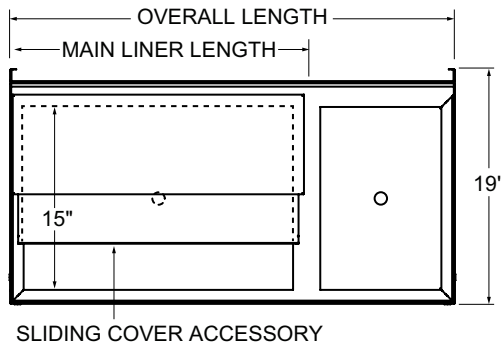
To view cleaning and care instructions, please visit:
http://www.glastender.com/PDF/choice_ss_clean_care.pdf

| | |
|--|-----------------|
| Glastender, Inc. • 5400 North Michigan Road • Saginaw, MI • 48604-9780 989.752.4275 • 800.748.0423 • Fax 989.752.4444 www.glastender.com | Approval/Notes: |
| Specifications subject to change without notice. For current specifications please visit our website. | |

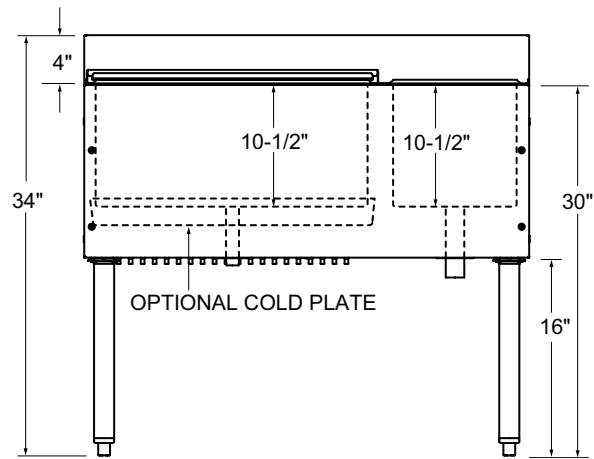
Choice Combo Ice Bins

Dimensional Information

C-CBA-RIGHT WITH COLD PLATE SHOWN

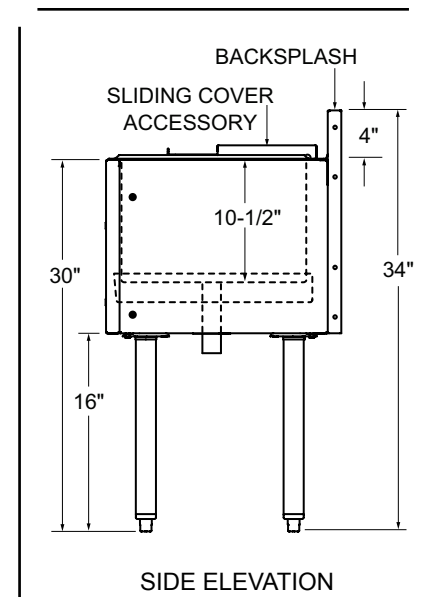


PLAN VIEW



FRONT ELEVATION

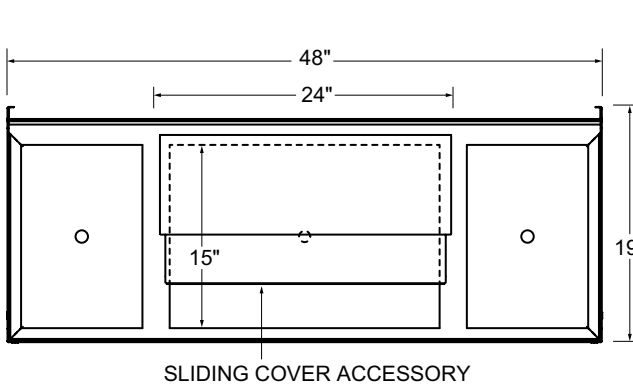
| Model Number | Overall Length | Main Liner Length | Bottle Well Location | Potable Ice Capacity | Bottles Stored |
|----------------------------|----------------|-------------------|----------------------|----------------------|----------------|
| C-CBA-36L or R | 36" | 24" | Left or Right | 67 lbs | 6 |
| C-CBA-42L or R | 42" | 30" | Left or Right | 84 lbs | 6 |
| C-CBA-48L or R | 48" | 36" | Left or Right | 100 lbs | 6 |
| With 10-Circuit Cold Plate | | | | | |
| C-CBA-36L or R-CP10 | 36" | 24" | Left or Right | 67 lbs | 6 |
| C-CBA-42L or R-CP10 | 42" | 30" | Left or Right | 84 lbs | 6 |
| C-CBA-48L or R-CP10 | 48" | 36" | Left or Right | 100 lbs | 6 |



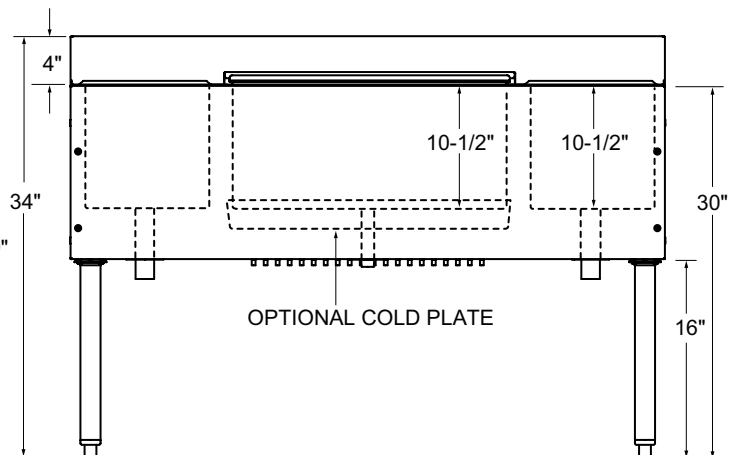
SIDE ELEVATION

C-CBA-48-CP10

| Model Number | Overall Length | Main Liner Length | Bottle Well Location | Potable Ice Capacity | Bottles Stored |
|----------------------------|----------------|-------------------|----------------------|----------------------|----------------|
| C-CBA-48 | 48" | 24" | Left and Right | 67 lbs | 12 |
| With 10-Circuit Cold Plate | | | | | |
| C-CBA-48-CP10 | 48" | 24" | Left and Right | 67 lbs | 12 |



PLAN VIEW



FRONT ELEVATION