

Project: _____	AIA# _____
Item #: _____ Qty: _____	SIS# _____
Model #: _____	

Countertop Merchandiser



CM24XX-RR

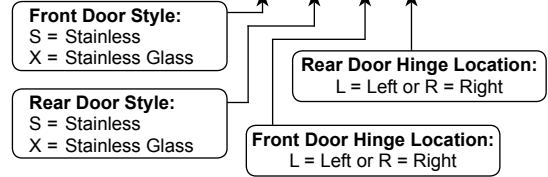


NSF standard 7 listed for open food storage



Intertek
Conforms to ANSI/UL STD 471
Certified to CSA STD C22.2 No. 120

CM24



Standard Features

- Self-contained forced air refrigeration system for uniform cooling of product
- Automatic condensate evaporator
- Digital thermostat with automatic defrost
- All stainless steel interior construction
- Stainless steel exterior construction with galvanized steel bottom
- CFC free foamed-in-place insulation
- Removable condenser air inlet filter for easy cleaning
- Six-foot grounded cord and plug provided
- Available with stainless steel door or glass door with stainless steel frame
- Interior LED light included
- 4" adjustable legs available for countertop installation

Specifications

Electrical

- 120V, 1 phase, 60 Hz, 5.5 full load amps
- Separate 15 amp circuit is required
- Includes a 6-foot NEMA 5-15P grounded cord
- Available with 220V, 1 phase, 50Hz electrical



Refrigeration

- 1/4 HP, R134a refrigerant

Plumbing

- Automatic condensate evaporator. No drain connection required.

Capacity

- Interior Dimensions: 21"W x 23"H x 17"D
- 4.7 cubic feet of storage space

Operating Range

- 34°F (1°C) to 40°F (4°C)

Shelving

- Two adjustable coated shelves included

Legs (Optional)

- 4" adjustable legs

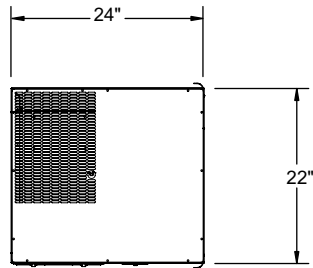
Materials

- 22 gauge stainless steel parts include: interior and exterior sides
- 20 gauge stainless steel parts include: doors and condensing unit compartment cover
- 16 gauge galvanized steel parts include: condensing unit floor and exterior bottom

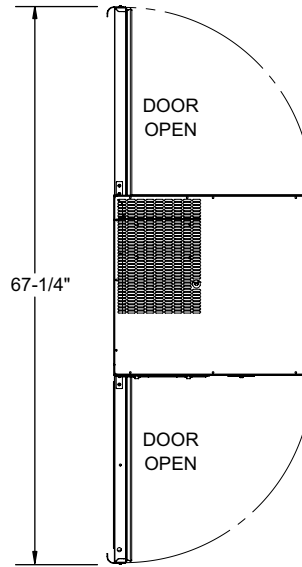
Glastender, Inc. • 5400 North Michigan Road • Saginaw, MI • 48604-9780 989.752.4275 • 800.748.0423 • Fax 989.752.4444 www.glastender.com	Approval/Notes:
Specifications subject to change without notice. For current specifications please visit our web site.	

Countertop Merchandiser

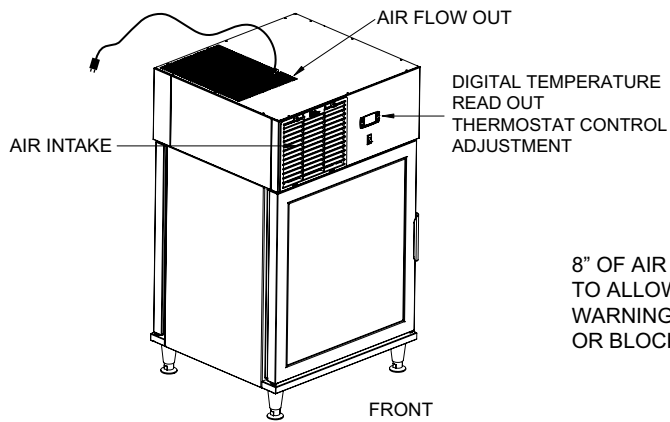
Dimensional Information



FRONT

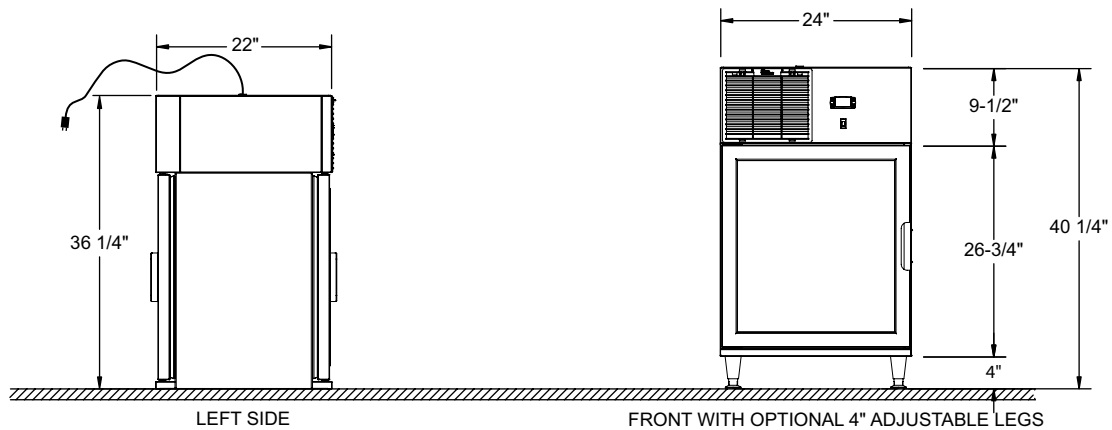


PLAN VIEWS



8" OF AIR SPACE IS REQUIRED ABOVE UNIT TO ALLOW FOR AIR FLOW OUT
WARNING: COMPRESSOR FAILURE DUE TO RESTRICTION OR BLOCKAGE OF AIR FLOW WILL VOID WARRANTY.

ISOMETRIC VIEWS



ELEVATION VIEWS



5400 North Michigan Road • Saginaw, MI • 48604-9780
989.752.4275 • 800.748.0423 • Fax 989.752.4444
www.glastender.com

Printed in USA