

Project: _____	AIA# _____
Item #: _____ Qty: _____	SIS# _____
Model #: _____	

## Drop-In Ice Bins

DI-IB12, DI-IB18, DI-IB24, DI-IB30,  
DI-IB24-CP10, DI-IB30-CP10



DI-IB24-CP10



DI-IB18



**Intertek**  
4004503

Conforms to NSF/ANSI STD 2

### Standard Features

- Stainless steel top and interior liner
- ABS plastic breaker strip around ice bin liner: creates 5/16" raised edge around liner, acts as thermal barrier to prevent heat transfer, and makes the cover slide easier
- Sliding stainless steel cover
- CFC free foamed-in-place insulation
- Galvanized steel exterior wrap
- 10-1/2" deep liner
- Ten circuit cold plates are optional (add suffix '-CP10' to model number)
- Includes four 1/4-20 x 1-1/2" studs for mounting to countertop
- DI-IB24 and DI-IB30 feature special angle brackets, U-channels, and mounting bolts for ease of installation

To view underbar installation instructions, please visit: [http://www.glastender.com/PDF/F-750-165\\_Underbar\\_Installation\\_Instructions.pdf](http://www.glastender.com/PDF/F-750-165_Underbar_Installation_Instructions.pdf)  
 To view cleaning and care instructions, please visit: [http://www.glastender.com/PDF/F-423-011\\_ss\\_clean\\_care.pdf](http://www.glastender.com/PDF/F-423-011_ss_clean_care.pdf)

### Specifications

#### Drains

- Non-cold plate model: 1-1/2" tailpiece
- Ten circuit cold plate model '-CP10': 3/4" MPT

#### Cover

- Two piece sliding, stainless steel, included with all models

#### Cold Plate

- Ten circuit available for DI-IB24 or DI-IB30
- Connection is 5/16" O.D. stainless steel tubing with swaged end

#### Liner Depth

- 10-1/2"

#### Ice Capacity

- DI-IB12 - 33 lbs
- DI-IB18 - 50 lbs
- DI-IB24 and DI-IB24-CP10 - 71 lbs
- DI-IB30 and DI-IB30-CP10 - 89 lbs.

#### Cut-out Dimensions

- Model DI-IB12...17-1/2" by 12-1/2"
- Model DI-IB18...17-1/2" by 18-1/2"
- Model DI-IB24...17-1/2" by 24-1/2"
- Model DI-IB30...17-1/2" by 30-1/2"

#### Materials

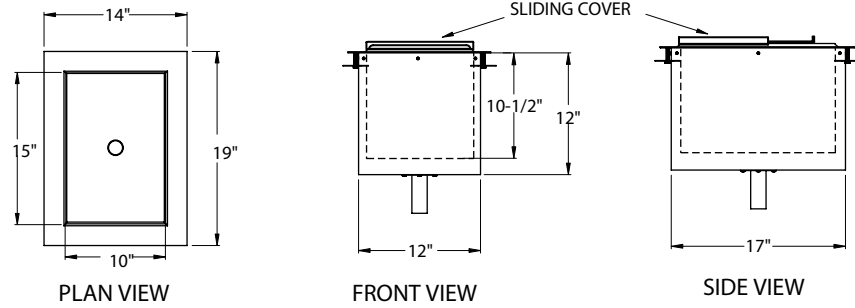
- 22 gauge galvanized steel parts include: exterior wrap and bottom
- 20 gauge stainless steel parts include: top, interior liner, and sliding cover. The reinforced top consists of two layers.

<b>Glastender, Inc.</b> • 5400 North Michigan Road • Saginaw, MI • 48604-9780 989.752.4275 • 800.748.0423 • Fax 989.752.4444 <a href="http://www.glastender.com">www.glastender.com</a>	Approval/Notes:
Specifications subject to change without notice. For current specifications please visit our website.	

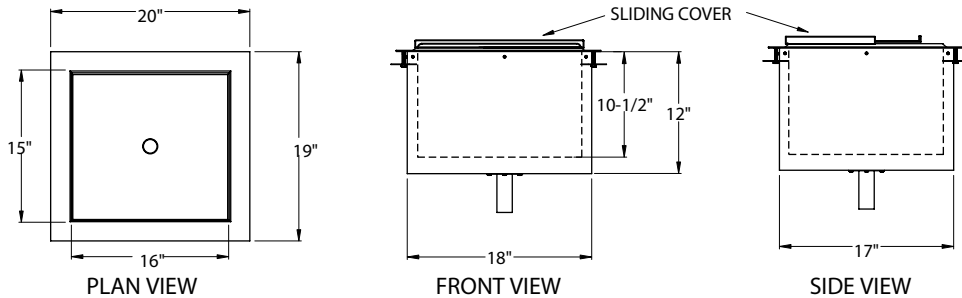
# Drop-In Ice Bins

## Dimensional Information

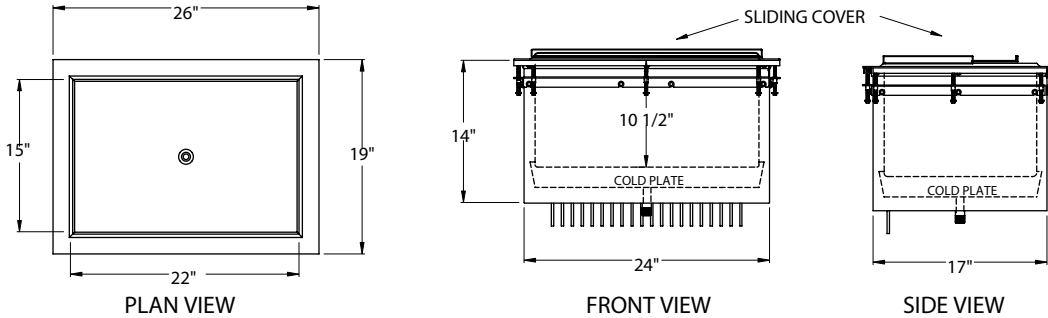
### DI-IB12



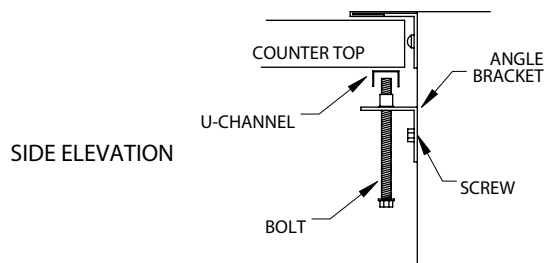
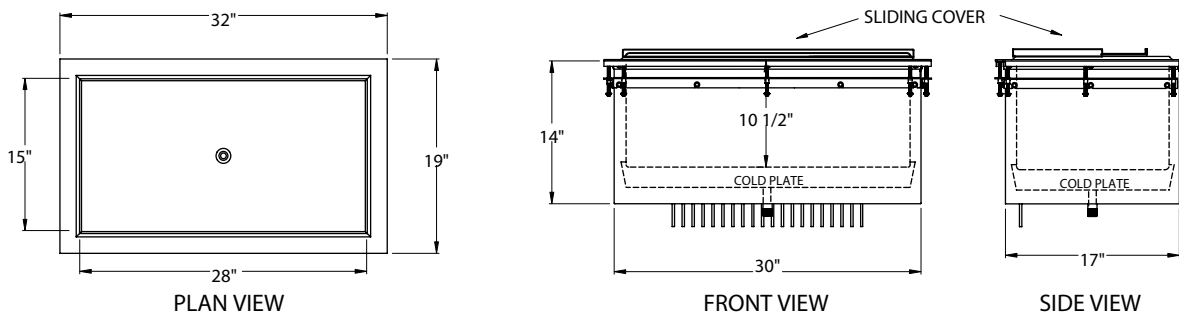
### DI-IB18



### DI-IB24 or DI-IB24-CP10 (model DI-IB24-CP10 shown below)



### DI-IB30 or DI-IB30-CP10 (model DI-IB30-CP10 shown below)



#### INSTALLATION INSTRUCTIONS (Models DI-IB24 and DI-IB30 only)

1. Remove angle brackets from drop-in ice bin.
2. Place ice bin into appropriate size cut out.
3. Replace angle brackets, firmly tighten screws.
4. Place U-channels on top of bolts.
5. Tighten each bolt evenly along U-channels.
6. Seal as necessary.