



A family company manufacturing in the USA

www.glastender.com



DI-IS24



DI-IW24

All faucets are NSF/ANSI 61, Annex G low lead compliant

Project: _____	AIA# _____
Item #: _____ Qty: _____	SIS# _____
Model #: _____	

Drop-In Units

DI-IS24, DI-IS24-LF, DI-IW24, DI-IW24-LF

Standard Features

- Manufactured with total welded construction to meet all NSF® standards
- Stainless steel top, interior liner, and sink bowl
- Unique hemmed edge for added strength and visual appeal
- 9-1/4" by 11-1/2" by 6" deep sink bowl
- Includes four 1/4-20 x 1-1/2" studs for mounting to countertop
- Includes 1-1/2" IPS drain fitting
- PVC plastic breaker strip around ice bin liner: creates 5/16" raised edge around liner, acts as thermal barrier to prevent heat transfer, and makes the cover slide easier
- Sliding stainless steel cover
- CFC Free foamed-in-place insulation
- Galvanized steel exterior wrap
- 10-1/2" deep liner
- Heavy-duty faucet is standard (available less faucet by adding the suffix '-LF' to the model number)



Intertek
4004503

Conforms to NSF/ANSI STD 2
Certified to CSA STD B45.4

Specifications

Drains

- Sink: 1-1/2" I.P.S. Threaded drain will fit Dearborn part #8033 slipnut and part #W-573P washer.
- Ice Bin: 1-1/2" tail piece

Faucet (not included with -LF models)

- DI-IS24: Deck mount on 4" centers, accepts 3/8" sink leads, hot and cold water connections required
- DI-IW24: Deck mount water filler, accepts 3/8" sink lead, cold water connection required

Sink Bowl Dimensions

- 9-1/4" by 11-1/2" by 6" deep

Cover

- Two piece sliding cover, stainless steel, included with all models

Ice Bin Liner Depth

- 10-1/2"

Ice Capacity

- 33 lbs

Cut-out Dimensions

- 17-1/2" by 22-1/2"

Materials

- 20 gauge stainless steel parts include: All components unless otherwise noted
- 16 gauge galvanized steel part include: faucet support bracket
- 22 gauge galvanized steel parts include: exterior wrap and bottom

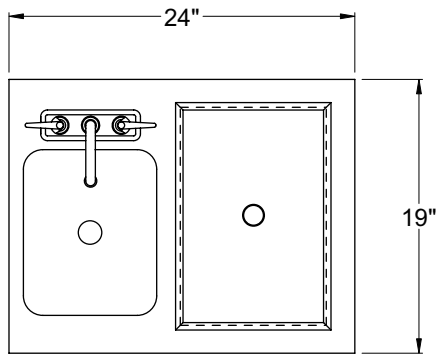
To view cleaning and care instructions, please visit:
http://www.glastender.com/PDF/F-423-011_ss_clean_care.pdf

Glastender, Inc. • 5400 North Michigan Road • Saginaw, MI • 48604-9780 989.752.4275 • 800.748.0423 • Fax 989.752.4444 www.glastender.com	Approval/Notes:
Specifications subject to change without notice. For current specifications please visit our website.	

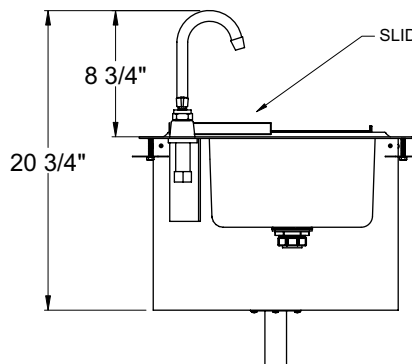
Drop-In Units

Dimensional Information

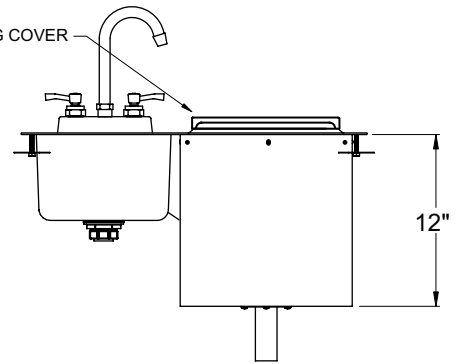
DI-IS24



PLAN VIEW

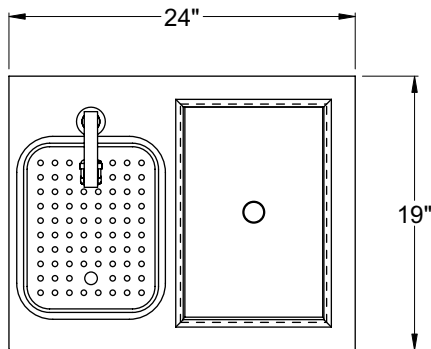


SIDE VIEW

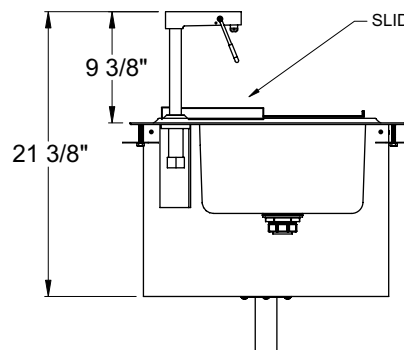


FRONT VIEW

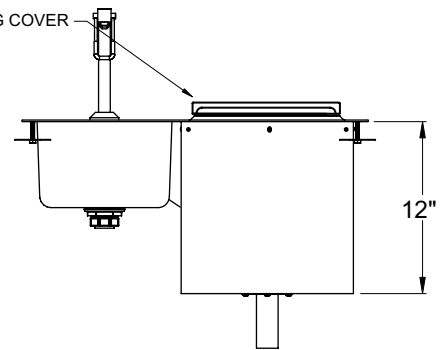
DI-IW24



PLAN VIEW



SIDE VIEW



FRONT VIEW

CUTOUT INFORMATION

