

Project: _____	AIA# _____
Item #: _____ Qty: _____	SIS# _____
Model #: _____	

Mobile Ice Bin

IBM-18X30



IBM-18X30

Standard Features

- All stainless steel construction
- ABS plastic breaker strip around ice bin liner: creates 5/16" raised edge around liner and acts as thermal barrier to prevent heat transfer
- CFC free foamed-in-place insulation
- Recessed leg tube sockets and bottom floor for extra stability and additional storage
- Four 4" casters (two locking)
- Drain valve for draining melted ice



Intertek
4004503

Conforms to NSF/ANSI STD 2

To view underbar installation instructions, please visit: http://www.glastender.com/PDF/F-750-165_Underbar_Installation_Instructions.pdf
 To view cleaning and care instructions, please visit: http://www.glastender.com/PDF/F-423-011_ss_clean_care.pdf

Specifications	Dimensional Information
-----------------------	--------------------------------

Drain

- 1" tailpiece. Includes factory installed drain valve. No plumbing hook-up required

Liner Depth

- 10-1/2"

Ice Capacity

- 85 lbs

Legs

- 1-5/8" diameter, 16 gauge stainless steel

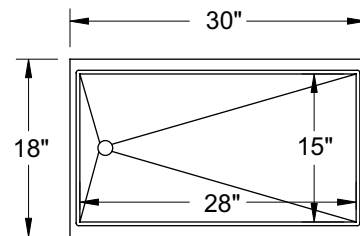
Casters

- Four 4" heavy duty rubberized casters
- The two server side casters are locking

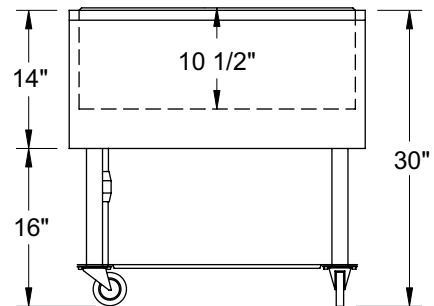
Materials

- 20 gauge stainless steel parts include: all components unless otherwise noted
- 18 gauge stainless steel parts include: bottom shelf
- ABS plastic breaker strip around opening of ice bin liner

Plan View



Front View



<p>Glastender, Inc. • 5400 North Michigan Road • Saginaw, MI • 48604-9780 989.752.4275 • 800.748.0423 • Fax 989.752.4444 www.glastender.com</p>	<p>Approval/Notes:</p>
<p style="font-size: small;">Specifications subject to change without notice. For current specifications please visit our website.</p>	