

Glastender®

A family company manufacturing in the USA

www.glastender.com



ND52BRL-GS(RL)



Intertek 4004503



Intertek

Conforms to NSF/ANSI STD 7* and UL STD 471

Certified to CSA STD C22.2 No. 120

*All two zone cooler models are NSF 7 for closed container products.

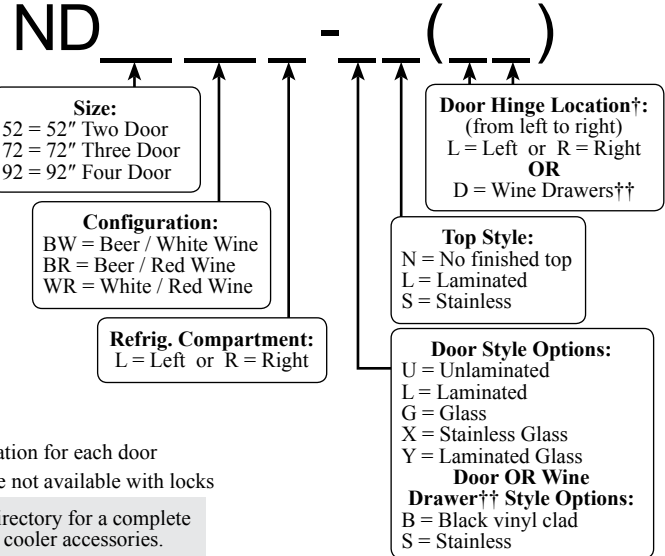
† Specify hinge location for each door

†† Wine drawers are not available with locks

See our Product Directory for a complete list of narrow door cooler accessories.

Project: _____	AIA# _____
Item #: _____ Qty: _____	SIS# _____
Model #: _____	

Two Zone Narrow Door Coolers Two, Three, and Four Door, Self-Contained



Standard Features

- Available in three configurations: beer and white wine, beer and red wine, or white wine and red wine
- The two temperature zones are independently controlled
- The warmer zone is always a single door and located opposite the compressor end
- All stainless steel interior with radius corners is easy to keep clean
- Locking door(s) (drawers sections do not lock)
- Any door opening may be converted to a wine drawer section
- LED interior lighting
- Evaporator above compressor compartment to maximize storage capacity
- Available without a finished top for integrated installation below customer supplied bar top
- Recessed compressor compartment back and 90° electrical plug enables flush wall placement
- Easy to remove condenser filter can be regularly cleaned to maintain condenser coil efficiency

Specifications

Electrical

- 120V, 1 phase, 60 Hz
- 5.7 full load amps
- Dedicated 15 amp circuit is required
- Includes a 6 foot NEMA 5-15P grounded cord and plug which exits the back refrigeration compartment



Refrigeration

- R134a
- Compressor - 1/4 HP
- Heat rejection - 2334 BTU/Hr

Operating Range

- Beer compartment: 34°F (1°C) to 40°F (4°C)
- White wine compartment: 50°F (10°C) to 55°F (13°C)
- Red wine compartment: 60°F (16°C) to 65°F (18°C)

Plumbing

- Automatic condensate evaporator. No drain connection required.

Shelving

- Two adjustable coated shelves and one bottom coated rack per door included (does not include wine drawer sections)

Materials

- Stainless steel parts include: interior, front of cabinet, hinges, hinge and lock brackets, and optional legs
- Black vinyl-clad steel parts include: standard sides, doors, and compressor cover
- Galvanized steel parts include: exterior sub-top, back and bottom
- Zinc plated CR steel parts include: leg sockets

Weight Bearing Capacity

- Counter tops and other accessories should not exceed 500 pounds per door

Capacities

ND52XX ND72XX ND92XX

• NOTE: XX = BW, BR, or WR

- 12 oz. bottles, cases 11.8 19.3 27.1
- 750ml wine bottles* 117 176 246
- 1/2 barrel kegs will not fit through door opening
- 1/6 barrel kegs 4 9 13

*Drawer units hold up to 40 wine bottles per 20" section

Glastender, Inc. • 5400 N Michigan Rd • Saginaw, MI • 48604-9780
989.752.4275 • 800.748.0423 • Fax 989.752.4444
www.glastender.com

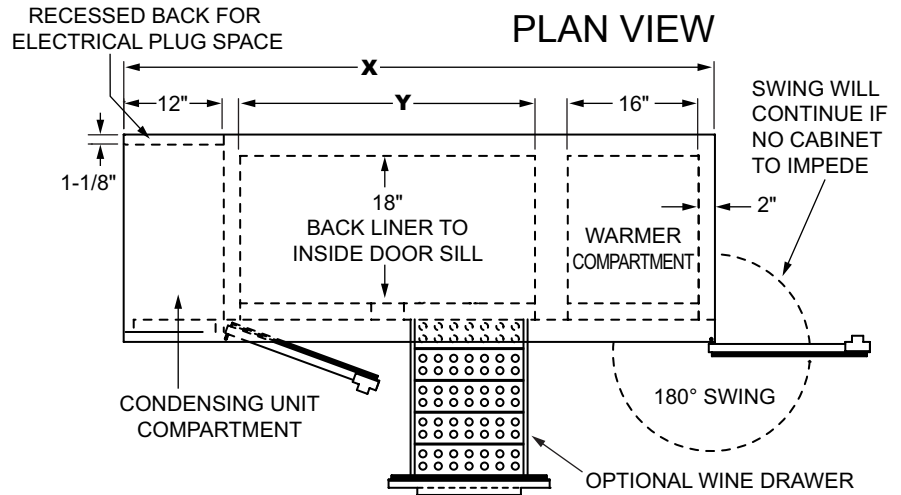
Approval/Notes:

Specifications subject to change without notice. For current specifications please visit our website.

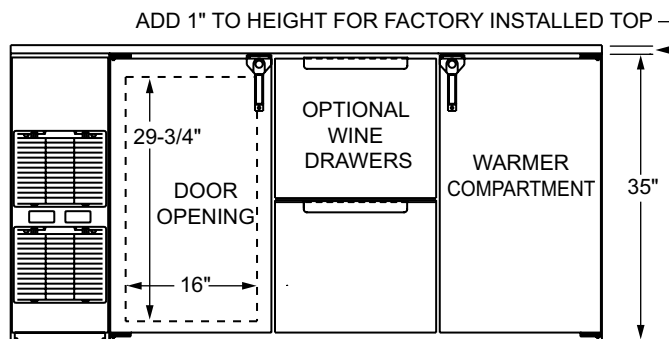
Self-Contained Two Zone Narrow Door Coolers

Dimensional Information

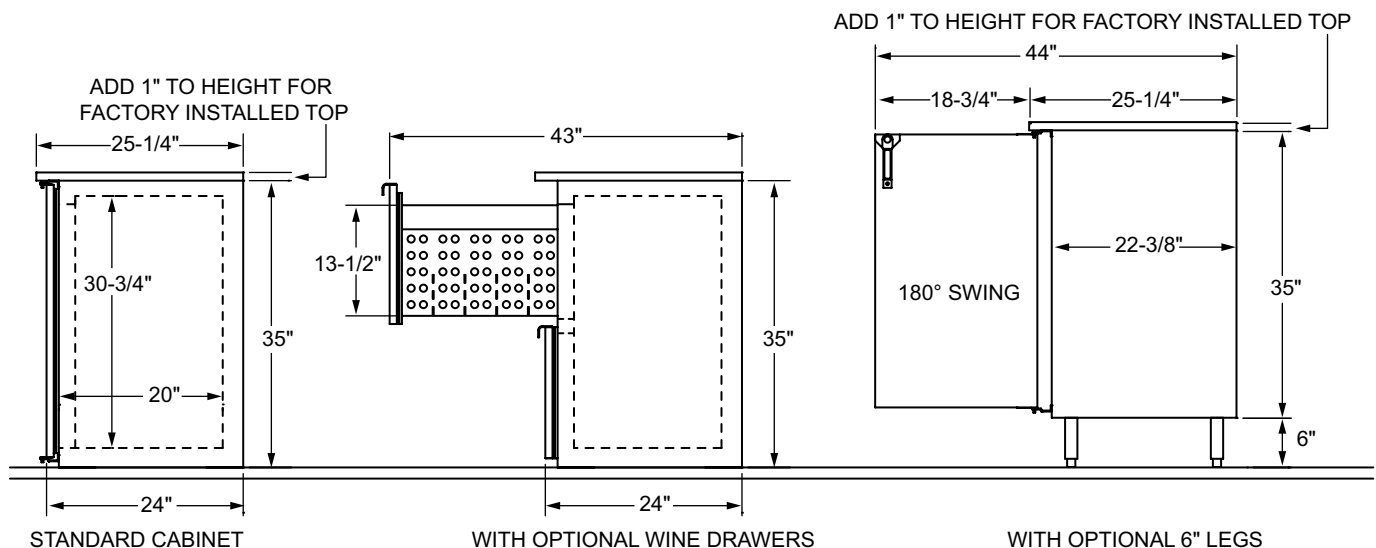
Model	X	Y	DOORS
ND52BW ND52BR ND52WR	52"	16"	2
ND72BW ND72BR ND72WR	72"	36"	3
ND92BW ND92BR ND92WR	92"	56"	4



FRONT VIEW



SIDE VIEWS



Note: Available with compressor left or right. Compressor left model shown. Use Model Number Key to specify location when ordering.



5400 N Michigan Rd • Saginaw, MI • 48604-9780
 989.752.4275 • 800.748.0423 • Fax 989.752.4444
www.glastender.com