

Project: _____	AIA# _____
Item #: _____ Qty: _____	SIS# _____
Model #: _____	

Deep-Well Slide Top Coolers



ST48-S



Intertek
4004503
Conforms to NSF/ANSI STD 7
and UL STD 471
Certified to CSA STD C22.2 No. 120
Meets NSF 7 requirements
for closed container products

ST -

Size:
48 = 48" Two Door
60 = 60" Two Door
72 = 72" Three Door
96 = 96" Four Door

Finish Options:

BG = Black vinyl-clad steel	} Galvanized Steel Interior with Stainless Steel Floor
SFG = Stainless steel front and side	
SG = All stainless steel	
B = Black vinyl-clad steel	} Stainless Steel Interior
SF = Stainless steel front and sides	
S = All stainless steel	

Standard Features

- Meets 2008 energy efficiency standards
- Self-contained refrigeration
- Automatic defrost cycle
- Radius interior corners for easy cleaning
- Perfect exterior dimensions: 24" front to back and 48", 60", 72", or 96" left to right
- Foamed-in-place insulation, CFC free
- Two interior options: galvanized steel walls and stainless steel floor or all stainless steel
- Three exterior options: black vinyl-clad steel, stainless steel front & sides, or all stainless steel
- Six foot grounded cord & plug included (exits left rear)
- Optional 3-3/4" casters or 6" legs are available
- Automatic condensate evaporator - no drain connection required
- One-piece integral top and mullion design
- Door locks

Specifications

Electrical

- 120V, 1 phase, 60 Hz
- ST48 - 5.8 full load amps
- ST60, ST72, ST96 - 6.5 full load amps
- Dedicated 15 amp circuit is recommended
- Includes a 6-foot NEMA 5-15P grounded cord & plug which exists the left rear of the refrigeration compartment
- **Refrigeration**
- 1/4 HP, R134a refrigerant
- BTU/hr heat rejection:
ST48 - 2,375 BTU/hr
ST60, ST72, ST96 - 2,661 BTU/hr
- Operating range: 30°F (-1°C) to 40°F (4°C)
- Fin & tube evaporator with forced air circulation



Capacity

- 48" model = 327 long neck bottles (13.63 cases)
- 60" model = 475 long neck bottles (19.82 cases)
- 72" model = 594 long neck bottles (24.75 cases)
- 96" model = 772 long neck bottles (32.17 cases)

Legs

- Optional 6" legs, specify accessory #STLS-4 (ST48) or #STLS-6 (ST60, ST72, ST96)
- 1-5/8" diameter
- Stainless steel bullet feet

Materials

- 20 gauge stainless steel series parts include: top, door, interior floor, back*, front*, and sides* (*if all stainless finish is specified)
- 20 gauge black vinyl-clad steel parts include: front and sides (if black vinyl-clad steel body finish is specified)
- 22 gauge stainless steel parts include: interior walls (if stainless interior is specified)
- 22 gauge galvanized steel parts include: interior walls (if galvanized steel interior is specified) and back
- 16 gauge stainless steel parts include: legs* (* if specified)
- 16 gauge galvanized steel parts include: base

Plumbing

- Automatic condensate evaporator. No drain connection required

Partitions

- ST48 includes three vertical wire partitions
- ST60 includes three vertical wire partitions
- ST72 includes four vertical wire partitions
- ST96 includes five vertical wire partitions

Glastender, Inc. • 5400 N Michigan Rd • Saginaw, MI • 48604-9780 989.752.4275 • 800.748.0423 • Fax 989.752.4444 www.glastender.com	Approval/Notes:
---	-----------------

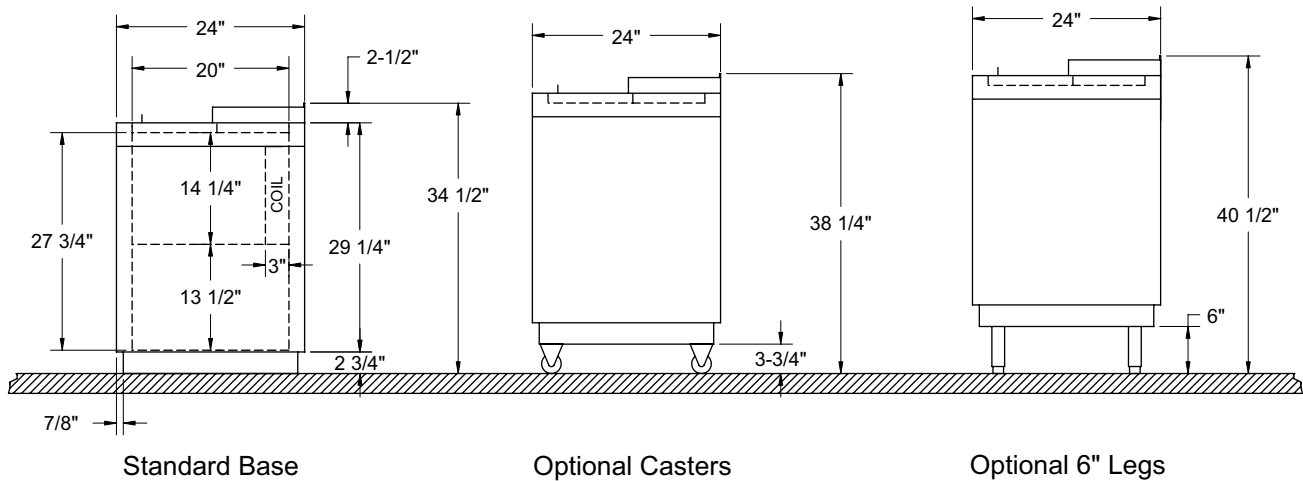
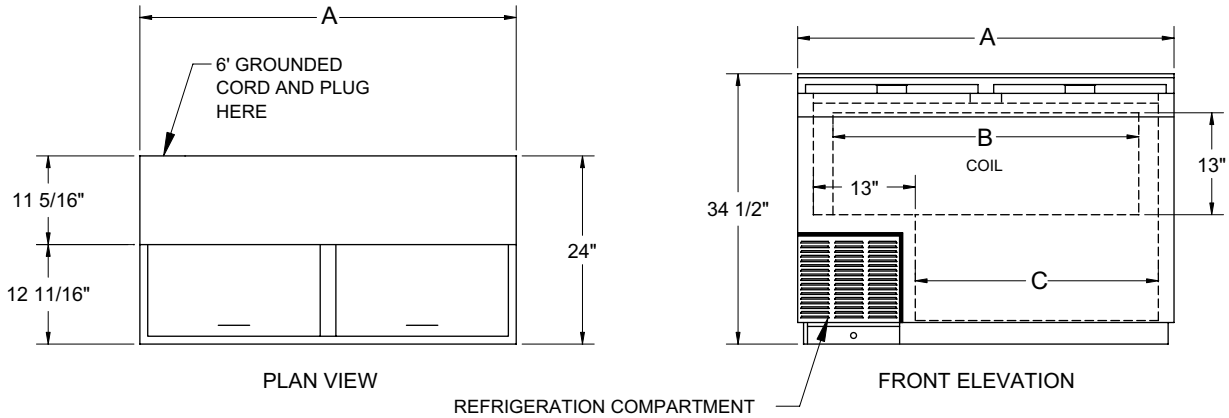
Specifications subject to change without notice. For current specifications please visit our website.

Deep-Well Slide Top Coolers

Dimensional Information

Model	A	B	C	No. of Doors
ST48	48"	39"	31"	2
ST60	60"	39"	43"	2*
ST72	72"	63"	55"	3
ST96	96"	87"	79"	4

*NOTE: The ST60 has one large door and one standard door



TYPICAL END VIEWS