

Project: _____	AIA# _____
Item #: _____ Qty: _____	SIS# _____
Model #: _____	

Undercounter Towers

UC-__-SSR

Size:
Specify the number of faucets from 4, 5, 6, 8, 10, 12



UC-4-SSR



UC-4-SSR shown installed under bar top

Standard Features

- All stainless steel construction
- 1/4" shanks with 3/16" restriction lines
- Includes insulated cold plate assembly for recirculating system
- Available in 4, 5, 6, 8, 10, and 12 faucet sizes
- Includes stainless steel faucets and shanks

NOTES:

1. Undercounter towers do not include a drainpan. Glastender offers a free standing underbar Beer Drainer, see spec guide page 3.31.
2. Beer and glycol lines can be located to exit the back or bottom of the tower - please specify exit location when ordering.



Intertek
4004503

Conforms to NSF/ANSI STD 18

NOTE: Faucet handles not included.

Specifications

Materials

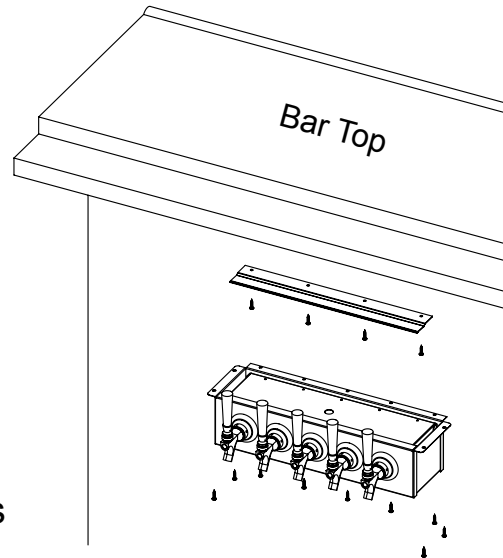
- 20 gauge stainless steel

Shank Sizes

- 1/4" I.D. with 3/16" fittings

Beer and Glycol Lines

- Must specify when ordering if lines are to exit the back or bottom of the tower



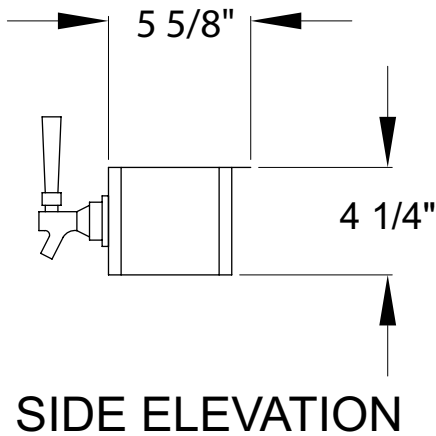
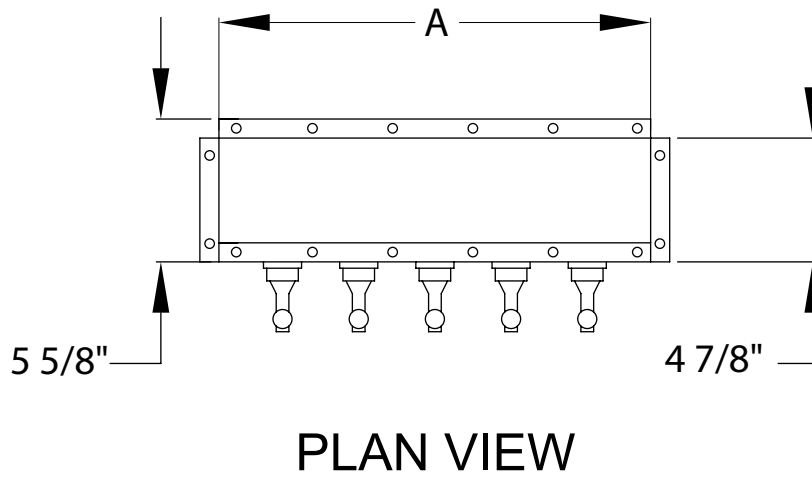
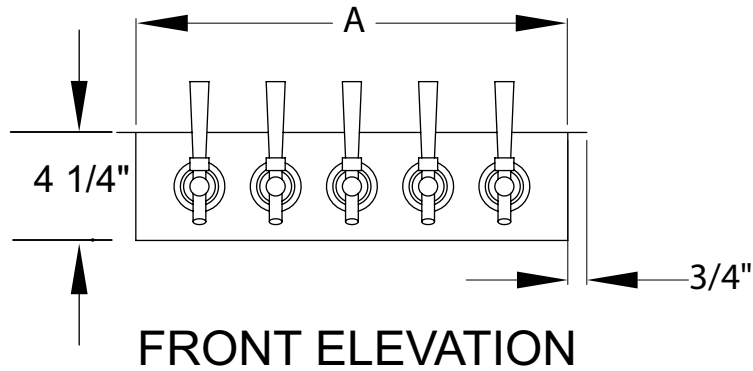
Mounting Details

<p>Glastender, Inc. • 5400 North Michigan Road • Saginaw, MI • 48604-9780 989.752.4275 • 800.748.0423 • Fax 989.752.4444 www.glastender.com</p>	<p>Approval/Notes:</p>
<p style="font-size: small;">Specifications subject to change without notice. For current specifications please visit our website.</p>	

Undercounter Towers

Dimensional Information

NOTE: Faucet handles not included.



UNDERCOUNTER TOWERS	
NUMBER OF FAUCETS	"A" WIDTH
4.....	14"
5.....	17"
6.....	20"
8.....	26"
10.....	32"
12.....	38"