

Project: _____	AIA# _____
Item #: _____ Qty: _____	SIS# _____
Model #: _____	

Wall Mount Towers

WT-__-SS

Size:
Specify the number of faucets
from 4,5,6,8,10,12.



WT-6-SS

*NOTE: Faucet handles
not included.*



Intertek

4004503
Conforms to NSF/ANSI STD 18

Standard Features

- All stainless steel construction
- Integral drain pan with lift-out perforated inserts
- 1/4" shanks with 3/16" restriction lines
- Available with insulated cold plate assembly for recirculating system
- Available in 4,5,6,8,10, 12 faucet sizes
- Includes stainless steel faucets and shanks
- Built-in wall mounting bracket
- Removable front cover for access to shanks

Specifications

Drains

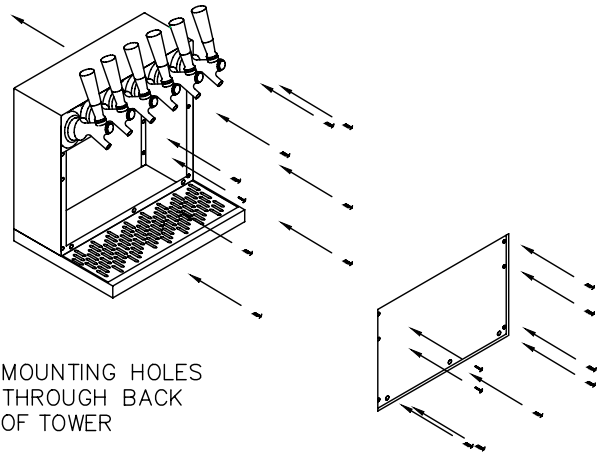
- Drain pan models - 1/2" tailpiece

Materials

- Stainless steel faucets and shanks
- Stainless steel body and drain pan
- Galvanized steel inner structure on glycol chilled models

Shank Sizes

- 1/4" I.D. with 3/16" fittings



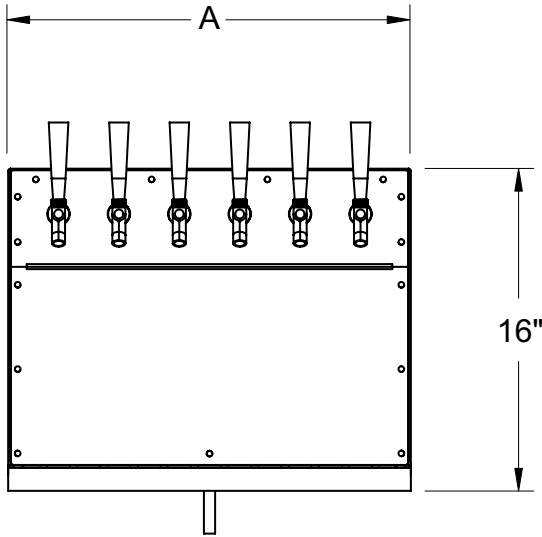
MOUNTING HOLES
THROUGH BACK
OF TOWER

MOUNTING DETAILS

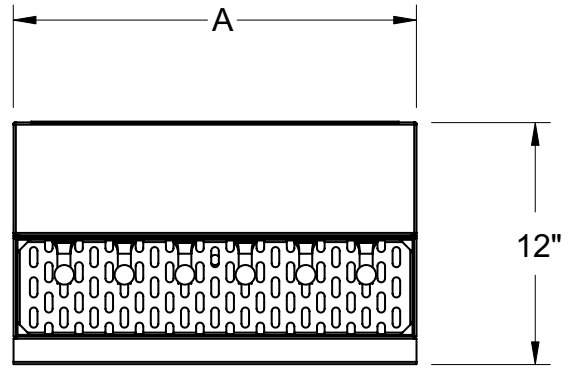
<p>Glastender, Inc. • 5400 North Michigan Road • Saginaw, MI • 48604-9780 989.752.4275 • 800.748.0423 • Fax 989.752.4444 www.glastender.com</p>	<p>Approval/Notes:</p>
<p>Specifications subject to change without notice. For current specifications please visit our website.</p>	

Wall Mount Towers

Dimensional Information

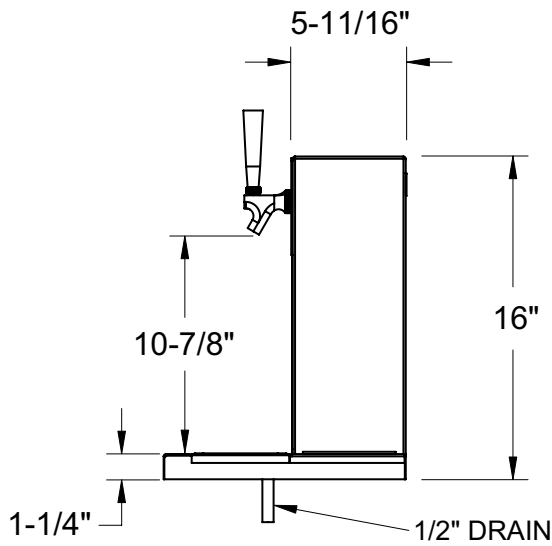


FRONT ELEVATION



PLAN VIEW

NOTE: Faucet handles not included.



SIDE ELEVATION

WALL MOUNT TOWERS

NUMBER OF FAUCETS	"A" WIDTH
4	14"
5	17"
6	20"
8	26"
10	32"
12	38"