



Project _____
 Item # _____
 Quantity _____

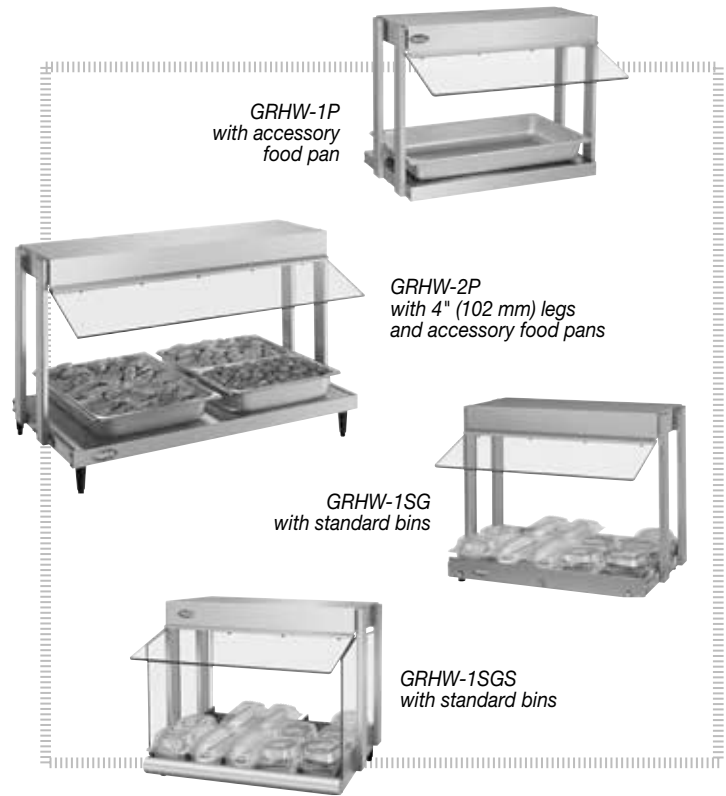
Glo-Ray® Mini-Merchandisers-Singles

Models: GRHW-1P, -2P, -1SG, -1SGS

Hatco's convenient Mini-Merchandisers create impulse sales by placing fresh product in front of customers. Using a limited amount of valuable counterspace, these flexible warmers come in a variety of shapes, sizes and colors to hold food samples, hors d'oeuvres and packaged product at just the right temperature. They are ideal for packaged product at any time of the day. Great for delis, supermarkets, convenience stores, kiosks or concession stands.

Standard features

- Prefocused infrared top heat directs heat to the outer edges where heat loss is greatest
- Thermostatically-controlled heated base extends holding times of most foods
- Sturdy sneeze guard protect food
- Shatter-resistant incandescent lights enhance product displays while safeguarding food from bulb breakage
- Lighted rocker switch for easy On/Off
- Models come with 6' (1829 mm) cord and plug, 1" (25 mm) rubber legs [GRHW-2P has 4" (102 mm) legs], five 4" (102 mm) bins (GRHW-1SG, -1SGS only),
- GRHW-1P, -2P available in a one- or two-pan model with a top breath protector on one side of unit
- GRHW-1SG offers slanted base, side enclosures, food stop
- Metal Sheathed Elements guaranteed against burnout and breakage for two years



Options (available at time of purchase only)

- Designer colors (included on GRHW-1SGD and -1SGDS) –
 Non-standard colors are non-returnable – Black standard –
- Warm Red Black Gray Granite White Granite
 Navy Blue Hunter Green Antique Copper
- Halogen Bulb in lieu of Standard Display Light (60 watt)
 Plexi-glass side panels (GRHW-1P, -2P, -1SG only)

Accessories

- 4" (102 mm) Adjustable Legs for GRHW-1P, -1SG only (standard on GRHW-2P)



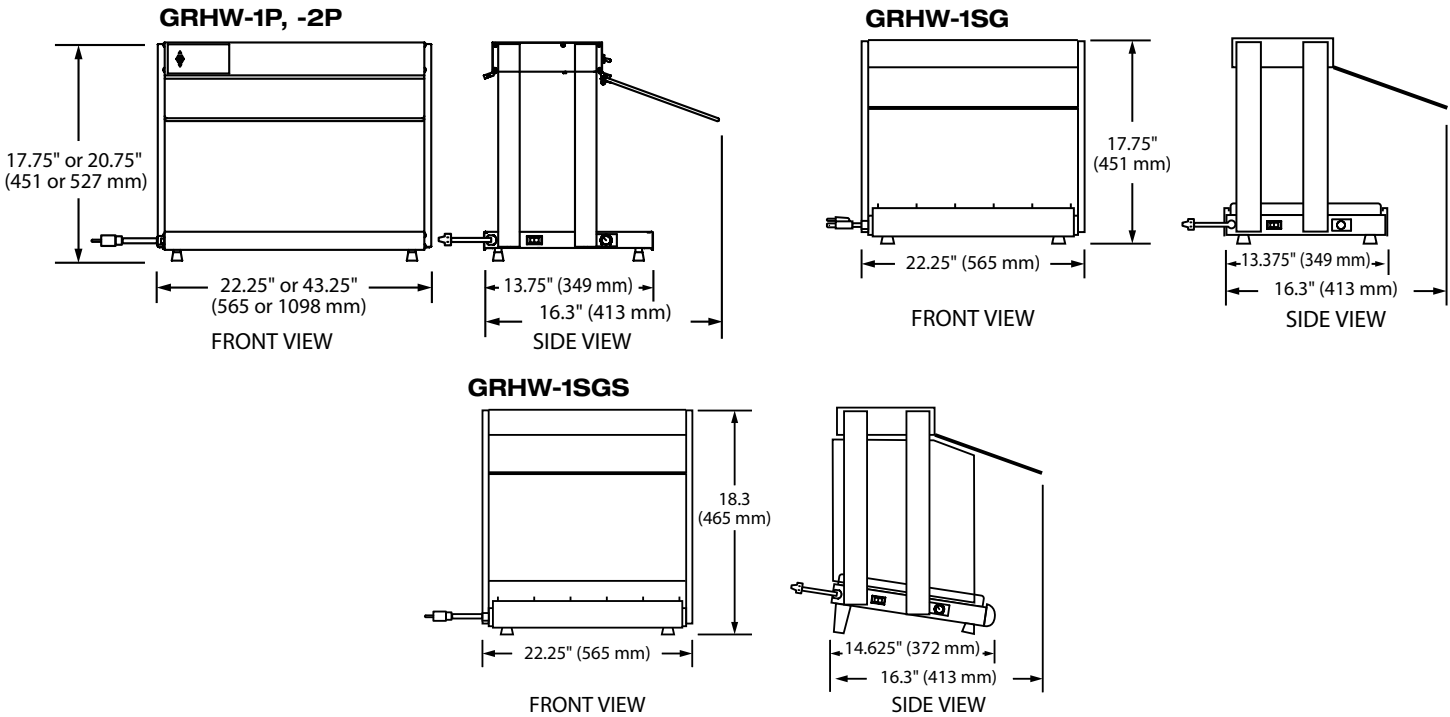
HATCO CORPORATION | P.O. Box 340500 Milwaukee, WI 53234-0500 U.S.A.

(800) 558-0607 | (414) 671-6350 | www.hatcocorp.com | equipsales@hatcocorp.com | intlSales@hatcocorp.com



Glo-Ray® Mini-Merchandisers - Singles

Models: GRHW-1P, -2P, -1SG, -1SGS



SPECIFICATIONS Glo-Ray® Mini Merchandisers - Singles

The shaded areas contain electrical information for International models

Model	Description	Dimensions (W x D x H) Includes Sneeze Guard	Base Dimensions (W x D)	Volts	Watts	Amps	Plug Configuration	Ship Weight*
GRHW-1P*	Hors d'oeuvres warmer 2 light bulbs	22.25" x 16.3" x 17.75" (565 x 413 x 451 mm)	22.25" x 13.75" (565 x 349 mm)	120	820	6.8	NEMA 5-15P	35 lbs. (16 kg.)
				220	782	3.6	CEE 7/7 Schuko or BS-1363	
				240	838	3.5	CEE 7/7 Schuko or AS 3112	
				220-230 (CE)	782-855	3.6-3.7	CEE 7/7 Schuko	
				230-240 (CE)	769-838	3.3-3.5	BS-1363	
GRHW-2P▶	Hors d'oeuvres warmer 4 light bulbs	43.25" x 16.3" x 20.75" (1099 x 413 x 527 mm)	43.25" x 13.75" 1099 x 349 mm)	120	1640	13.7	NEMA 5-15P ▲	67 lbs. (31 kg.)
				220	1560	7.1	CEE 7/7 Schuko or BS-1363	
				240	1680	7.0	CEE 7/7 Schuko or AS 3112	
				220-230 (CE)	1560-1705	7.1-7.4	CEE 7/7 Schuko	
				230-240 (CE)	1542-1680	6.7-7.0	BS-1363	
GRHW-1SG*	Single horizontal shelf 2 light bulbs	22.25" x 16.3" x 17.75" (565 x 413 x 467 mm)	22.25" x 13.75" (565 x 349 mm)	120	820	6.8	NEMA 5-15P	37 lbs. (17 kg.)
				220	782	3.7	CEE 7/7 Schuko	
				240	838	3.4	BS-1363	
				220-230 (CE)	782-855	3.6-3.7	CEE 7/7 Schuko	
				230-240 (CE)	769-838	3.3-3.5	BS-1363	
GRHW-1SGS	Single slanted shelf 2 light bulbs	22.25" x 16.3" x 18.3" (565 x 413 x 465 mm)	22.25" x 14.625" (565 x 372 mm)	120	820	6.8	NEMA 5-15P	40 lbs. (19 kg.)

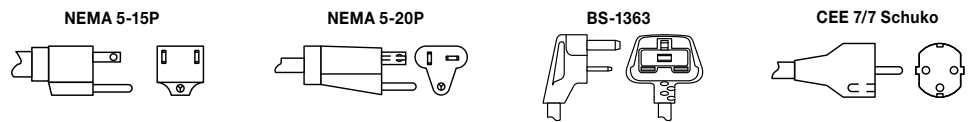
* Shipping weight includes packaging. * Add 3" (76 mm) to height when using accessory 4" (102 mm) legs. ▶ Standard 4" (102 mm) legs included in height.

▲ NEMA 5-20P for Canada.

CORD LOCATION

Base end plate, same side as switch.

PLUG CONFIGURATIONS



PRODUCT SPECS

Glo-Ray® Mini-Merchandiser - Singles

The heated Mini-Merchandiser shall be a Glo-Ray® Model ... as manufactured by the Hatco Corporation, Milwaukee, WI 53234 U.S.A.

The warmer shall be rated at ... watts, ... volts, and be ... inches (millimeters) in overall width. It shall consist of a thermostatically-controlled heated base, infrared heat from

above, sneeze guard, and incandescent display lights. The infrared heating element shall be tubular metal sheathed and the warmer shall have a cord with plug attached.

With 24/7 service (U.S. and Canada only).

HATCO CORPORATION | P.O. Box 340500 Milwaukee, WI 53234-0500 U.S.A.

(800) 558-0607 | (414) 671-6350 | www.hatcocorp.com | equipmentsales@hatcocorp.com | intlSales@hatcocorp.com