



Project _____
 Item # _____
 Quantity _____

Flav-R-Savor® Large Capacity Display Cabinets

Model: WFST-1X, -2X,
 LFST-48-1X, -2X

Hatco's Large Capacity Display Cabinets help you maintain more food at proper serving temperatures. The left and right side heat sources create a "blanket" effect around the food. The air flow rate enables the cabinets to rapidly recover temperature after opening and closing the door. Single-door or two-door option gives you ease of self-serve applications or pass-thru convenience.

WFST (humidified). Prepare food in advance of peak periods and place product straight from the oven into the full-view cabinets to increase impulse sales. The use of controlled moisturized heat maintains serving temperature and texture longer than conventional holding equipment.

LFST (non-humidified) models are perfect for holding wrapped or boxed products side-by-side, increasing visibility and easy access.

Standard features

- Hold standard sheet pans 18" x 26" (457 x 660 mm)
- Tempered glass doors and side panels provide maximum heat retention and allow for full cabinet display
- Shatter-resistant incandescent lights enhance product displays while safeguarding food products from bulb breakage
- Standard multi-purpose rack with adjustable shelves in 2" (51 mm) increments to fit multiple foodservice uses with slant or horizontal shelves



WFST-1X in standard Unfinished Metal and accessory decals

LFST-2X in Designer Black



Options (available at time of purchase only)

Designer Colors – Non-standard colors are non-returnable

- Unfinished Metal standard on WFST
- Black standard on LFST

- Warm Red Black Gray Granite White Granite
- Navy Blue Hunter Green Antique Copper

- Self-Closing Sliding Doors (WFST-2X only, in lieu of Hinged Doors on one side only)
- Self-Closing French Doors (WFST models only)
- Halogen Bulbs in lieu of Standard Display Lights

Accessories

- 4" (102 mm) Adjustable Legs (WFST models only)

WATER QUALITY REQUIREMENTS (WFST only)

Incoming water in excess of 3.0 grains of hardness per gallon (GPG) (.75 grains of hardness per liter) must be treated and softened before being supplied to booster heater(s). Water containing over 3.0 GPG (.75 GPL) will decrease the efficiency and reduce the operating life of the unit.

Note: Product failure caused by liming or sediment buildup is not covered under warranty.



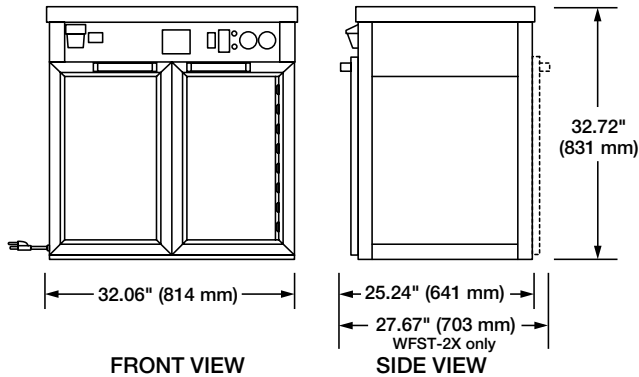
HATCO CORPORATION | P.O. Box 340500 Milwaukee, WI 53234-0500 U.S.A. | (800) 558-0607 | (414) 671-6350
 Fax: (800) 543-7521 | Int'l. Fax: (414) 671-3976 | www.hatcocorp.com | equipmentsales@hatcocorp.com | intl@sales@hatcocorp.com



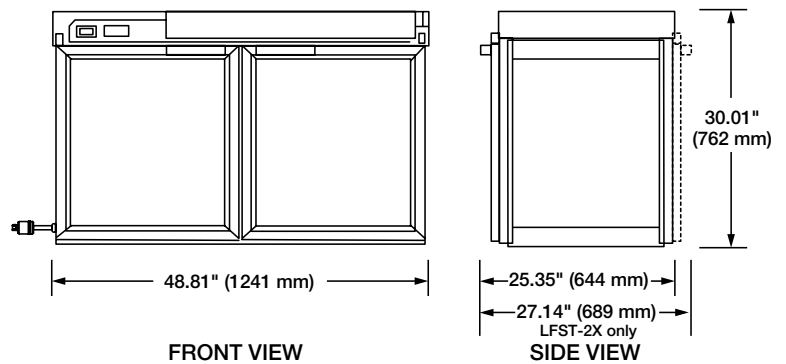
Flav-R-Savor® Large Capacity Display Cabinets

WFST-1X, -2X, LFST-48-1X, -2X

WFST MODELS



LFST MODELS



SPECIFICATIONS

Large Capacity Holding Cabinets - Humidified

The shaded areas contain electrical information for international models

| Model | Bulbs | Description | Dimensions (W x D x H) | Cabinet Opening (W x H) | Volts | Hz | Watts | Amps | Plug | Ship Weight* |
|---------|-------|---------------------------|--|--------------------------------|---------|-------|-----------|---------|-------------------------|---------------------|
| WFST-1X | 4 | 2 Doors with 4-shelf rack | 32.06" x 25.24" x 32.72" (814 x 641 x 831 mm) | 28" x 21.94" (711 x 557 mm) | 120 | 60 | 1790 | 14.9 | NEMA 5-15P ^F | 182 lbs. (83 kg) |
| | | | | | 220 | 50/60 | 1750 | 8.0 | CEE 7/7 Schuko | |
| | | | | | 240 | 50/60 | 1790 | 7.5 | BS-1363 | |
| | | | | | 220-230 | 50/60 | 1750-1907 | 8.0-8.3 | CEE 7/7 Schuko | |
| | | | | | 230-240 | 50/60 | 1650-1790 | 7.2-7.5 | BS-1363 | |
| WFST-2X | 4 | 4 Doors with 4-shelf rack | 32.06" x 27.67" x 32.72" (814 x 703 x 831 mm) | 28" x 21.94" (711 x 557 mm) | 120 | 60 | 1790 | 14.9 | NEMA 5-15P ^F | 188 lbs. (85 kg) |
| | | | | | 220 | 50/60 | 1750 | 8.0 | CEE 7/7 Schuko | |
| | | | | | 240 | 50/60 | 1790 | 7.5 | BS-1363 | |
| | | | | | 220-230 | 50/60 | 1750-1907 | 8.0-8.3 | CEE 7/7 Schuko | |
| | | | | | 230-240 | 50/60 | 1650-1790 | 7.2-7.5 | BS-1363 | |

Large Capacity Holding Cabinets - Non-Humidified

| Model | Bulbs | Description | Dimensions (W x D x H) | Cabinet Opening (W x H) | Volts | Hz | Watts | Amps | Plug | Ship Weight* |
|------------|-------|---------------------------|---|------------------------------|-------------|----|-------|------|--------------|----------------------|
| LFST-48-1X | 6 | 2 Doors with 3-shelf rack | 48.81" x 25.35" x 30.01" (1240 x 644 x 762 mm) | 44" x 22" (1118 x 559 mm) | 120/208-240 | 60 | 2150 | 14.6 | NEMA L14-20P | 222 lbs. (101 kg) |
| LFST-48-2X | 6 | 4 Doors with 3-shelf rack | 48.81" x 27.14" x 30.01" (1240 x 689 x 762 mm) | 44" x 22" (1118 x 559 mm) | 120/208-240 | 60 | 2150 | 14.6 | NEMA L14-20P | 230 lbs. (104 kg) |

* Shipping weight includes packaging.

^F Canada, use NEMA 5-20P.

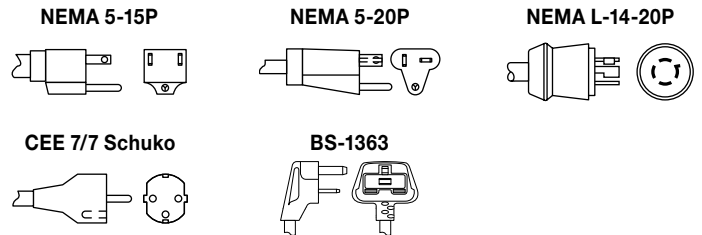
WATER TANK CAPACITY

WFST models: ¾ gallon (2.8 liters).

CORD LOCATION

Facing controls, left-hand side panel, lower right corner.

PLUG CONFIGURATIONS



PRODUCT SPECS

Large Capacity Display Cabinets

The Large Capacity Display Cabinet shall be a Flav-R-Savor® Model ..., rated at ... volts and ... watts, as manufactured by the Hatco Corporation, Milwaukee, WI 53234 U.S.A.

The WFST cabinet shall have ... door(s), tempered glass sides, adjustable rack, stacking hardware, and incandescent display lights. It shall include a water reservoir, humidity selector switch, temperature selector dial, On/Off switch, indicating lights, and a 6' (1829 mm) cord with plug attached.

Accessories shall include adjustable legs and pans.

The LFST cabinet shall have ... doors, incandescent display lights, tempered glass sides, and removable adjustable rack. It shall include a temperature selector dial, On/Off switch, indicating lights, and a 6' (1829 mm) cord with plug attached.

Accessories shall include pans.

Warranty consists of 24/7 parts and service assistance (US and Canada only).

HATCO CORPORATION | P.O. Box 340500 Milwaukee, WI 53234-0500 U.S.A. | (800) 558-0607 | (414) 671-6350

Fax: (800) 543-7521 | Int'l. Fax: (414) 671-3976 | www.hatcocorp.com | equipmentsales@hatcocorp.com | intl@hatcocorp.com