



# RM-45-SD-HC

Glass Door Merchandiser with Sliding Doors



RM-45-SD-HC  
05/06/19  
Item # 13541

### W x D x H

51" x 30.25" x 78.25"



Item #: \_\_\_\_\_  
Project: \_\_\_\_\_  
Qty: \_\_\_\_\_  
AIA#: \_\_\_\_\_

## Features

- ▶ Forced air evaporator for quick temperature pull down
- ▶ Self-closing sliding doors with spring assist and stay-open feature
- ▶ Energy saving hot gas loop on front edge of cabinet helps prevent condensation

- Large glass doors are energy efficient Low-E multi pane glass
- LED illuminated exterior canopy
- Energy efficient vertical LED interior lights illuminate products on display
- Silver painted aluminum exterior with NSF approved white aluminum interior and stainless steel floor
- Environmentally friendly CFC-Free Polyurethane insulation with cyclopentane blowing agent.
- (5) white epoxy coated shelves per section with product stops are standard
- Stainless steel shelf clips adjustable in 1/2" increments on anodized aluminum supports
- Refrigerant flow is controlled with a capillary tube
- 8 Foot cord and plug
- 2 inch leveling legs standard

Capacity:  
20 oz. bottles: 560  
12 oz. bottles: 1260



### Dimensions / Capacity

	Two Section RM-45-SD-HC
Interior Storage Capacity (CF)	38.26 ft <sup>3</sup>
Overall Width x Depth	51" x 30.25"
Height	78.25"
Adjustable Shelves	5 per section
Shelf Dimensions (W x D)	23" x 20.5"
Crated Shipping Weight	545 lbs.
Crated Width x Depth x Height	55" x 34" x 85"

### Electrical / Refrigeration

	Two Section RM-45-SD-HC
Voltage	115/60/1
HACR Breaker	15.0 Amps
Electrical Connection (NEMA)	5-15P ⚡
Voltage Range	104-126
Ambient Temp. Range	60° to 86°F
Control Setpoint Range	28° to 40°F
Amperage	6.5
Energy Consumption (kWh/day) @ASHRAE	4.55
Approx. Nominal Compres. BTU/HR (HP)	2032 (1/2HP)
Refrigerant / Charge Amount (oz)	R290 / (3.7oz)

### Options

- Requires 2 sets of:
- Organizer shelf (HS-5293)
  - Price tag holder (HS-5294)
  - Epoxy Shelf (HS-5318)
  - 4" Casters (HS-5288)

### Warranty

- \* 3 Year - Parts and Labor on entire machine.
  - 5 Year - Parts on Compressor
- Valid in United States, Canada, Puerto Rico and U.S. Territories. Contact factory for warranty in other countries.

This equipment is intended for the storage of non-potentially hazardous bottled or canned products only.

*Hoshizaki reserves the right to change specifications without notice.*



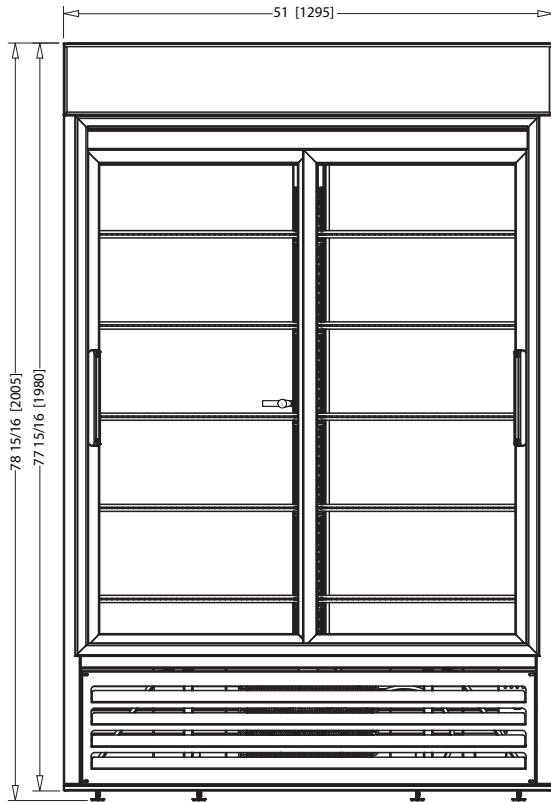
# RM-45-SD-HC

Glass Door Merchandiser with Sliding Doors

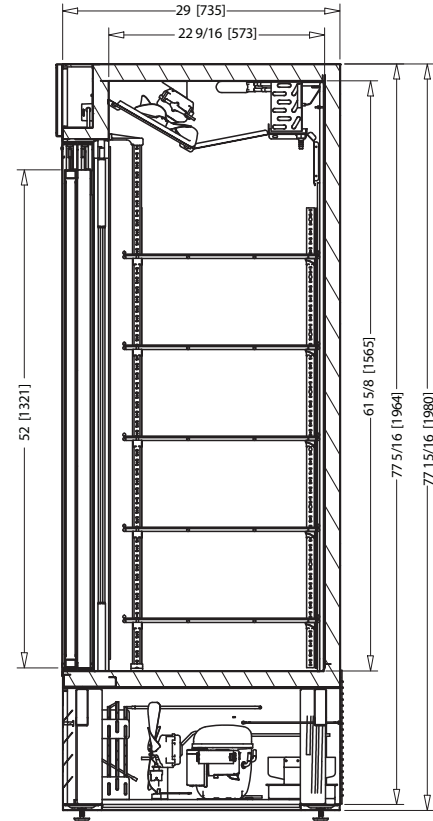


RM-45-SD-HC  
05/06/19  
Item # 13541

## FRONT VIEW

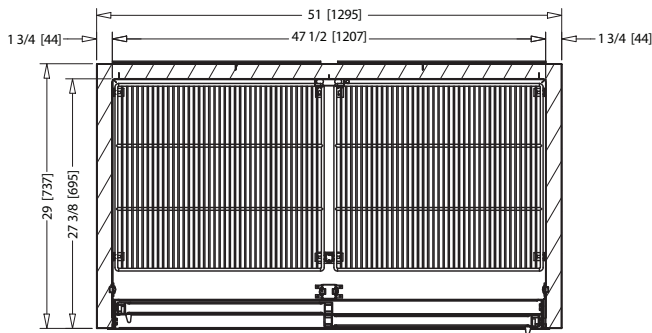


## SIDE VIEW

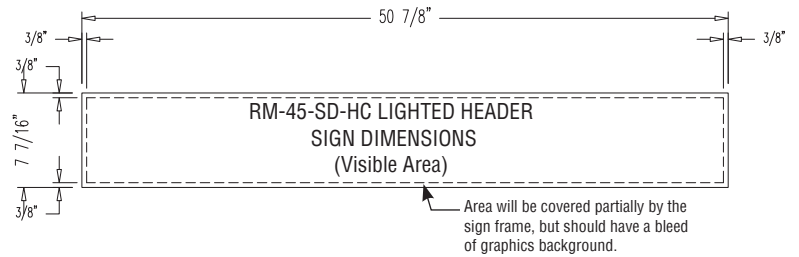


inch [mm]

## PLAN VIEW



## HEADER DIMS



### Graphic Requirements:

- 360 dpi resolution. Scale 1=1
- Colors for CMYK process
- Image with 1/4" of excess by side
- Graphics must be saved in photoshop (with layers) (or your sign company file type requirements)
- Include a full color print out

### Material Requirements:

- Thickness: 1/16" (1.5mm)
- Good- Acrylic/Pexiglass, Better - high impact acrysteel, acrylite SG
- Best- Super impact Lexan, Lexan SG Polycarbonate

Note: Texts and important parts of the image should be within the visible area. The visible area is illustrated by dotted lines when it applies.