

Product Specifications Sheets



Model No.	Description	Length	Depth	Height	Voltage	Amps	HP/BTUs	Power Cord	Est. Ship Weight
SC-OD35E-3-LS	Self Contained	39"	34.5"	78.5"	115	16.0	1/2	5-20P	700
SC-OD35E-4-LS	Self Contained	51"	34.5"	78.5"	115/208-230	13.0	3/4	L14-20P	965
SC-OD35E-5-LS	Self Contained	63"	34.5"	78.5"	115/208-230	16.0	1	L14-20P	1175
SC-OD35E-6-LS	Self Contained	75"	34.5"	78.5"	115/208-230	16.0	1	L14-20P	1175
R-OD35E-3-LS	Remote	39"	34.5"	78.5"	115	2.0	4906	No	575
R-OD35E-4-LS	Remote	51"	34.5"	78.5"	115	3.0	6542	No	790
R-OD35E-5-LS	Remote	63"	34.5"	78.5"	115	4.0	8178	No	895
R-OD35E-6-LS	Remote	75"	34.5"	78.5"	115	4.0	9813	No	1000
R-OD35E-8-LS	Remote	99"	36.5"	78.5"	115	6.0	13082	No	1580
R-OD35E-10-LS	Remote	123"	36.5"	78.5"	115	7.0	16355	No	1790
R-OD35E-12-LS	Remote	147"	36.5"	78.5"	115	8.0	19626	No	2000

MODEL NUMBER SUFFIX - B = Black W = White SS = Stainless Steel
 • Cases are designed to operate at 75 degrees Fahrenheit and 55% relative humidity
 • Specification subject to change without notice



Standard Specifications and Optional Features

CONSTRUCTION

- UL Classified to ANSI/NSF 7
- Foamed in place CFC free foam
- Heavy gauge steel super structure
- Multi deck
- Endless design allows for continuous line up

INTERIOR

- White, black, or stainless steel end panels
- Removable white, black, or stainless steel floor pans
- White, black, or stainless steel perforated rear wall (for even air distribution)
- Full length lighting at top of unit
- 4 levels of lighted shelving
- 5 levels of product display
- Stylish price tag molding on each shelf

EXTERIOR

- White, black, or stainless steel ends and front
- Removeable front grill allows for cleaning and servicing
- 1” bumper
- Choice of end panels

FINISHES

- White, black, or stainless steel end panels
- White, black, or stainless steel front rail
- White, black, or stainless steel end trim
- Laminate, and custom paints available
- Coated galvanized rear

LIGHTING

- 1 row at inside top of unit
- 4 rows of lighted shelving

ELECTRICAL REQUIREMENTS

- Self contained unit comes with cord and plug
- UL/CUL listed
- See Tech page for details on voltage

REFRIGERATION

- R404A expansion valve system
- Low velocity fans located below deck area (to insure even flow of air)
- Electronic Control System with automatic air defrost to maintain balanced temperatures
- New high efficiency air screen technology
- Self contained system
- Copeland hermetic unit
- Remotes available

OPTIONAL FEATURES

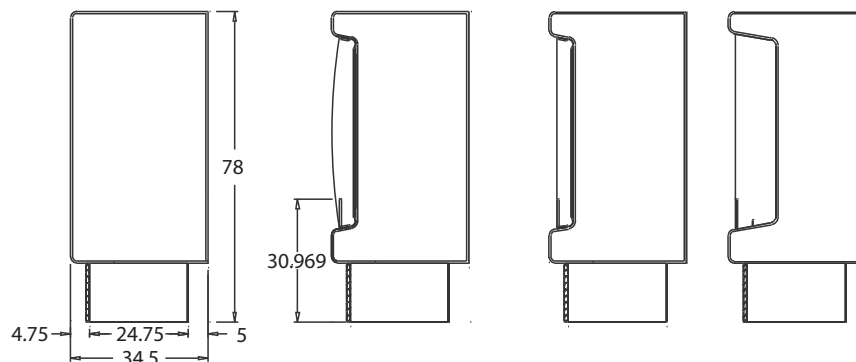
- Solid state lighting
- Night covers
- Security cover
- Peg bars
- Electric condensate pan, with separate plug
- Insulated divider for line ups
- Plexiglas divider for line ups
- Stainless steel, laminated or paint
- Product stops on shelving
- 3 different end panel choices
- Digital thermometer

Important Note:

All refrigerated cases are designed to operate in an environment of 75 degrees and 55% relative humidity.

Product must be cooled before being displayed within the case.

DRAIN IS REQUIRED



**35E-Solid
Standard**



Technical Data

	Remote or Self Contained				Remote Only			
Model No.	OD35E-3-LS	OD35E-4-LS	OD35E-5-LS	OD35E-6-LS	OD35E-8-LS	OD35E-10-LS	OD35E-12-LS	
Length with (2) ends	39"	51"	63"	75"	99"	123"	147"	
Length without ends	36"	48"	60"	72"	96"	120"	143"	
Height with ends	78.5"	78.5"	78.5"	78.5"	78.5"	78.5"	78.5"	
Height without ends	78"	78"	78"	78"	78"	78"	78"	
Depth with ends	34.5"	34.5"	34.5"	34.5"	36.5"	36.5"	36.5"	
Depth without ends	34.25"	34.25"	34.25"	34.25"	34.25"	34.25"	34.25"	
Endless design	YES	YES	YES	YES	YES	YES	YES	
(Dimensions are +/- 1/4")								
Operating temperature	34°F to 38°F	34°F to 38°F	34°F to 38°F	34°F to 38°F	34°F to 38°F	34°F to 38°F	34°F to 38°F	
Refrigerant (exp. valve)	SC R404A	R404A	R404A	R404A	(2) R404A	(2) R404A	(2) R404A	
Compressor size HP	SC 1/2	3/4	1	1	not included	not included	not included	
Defrost per day (24 hours)	Air Defrost 3 @ 30 min.	3 @ 30 min.	3 @ 30 min.	3 @ 30 min.	3 @ 30 min.	3 @ 30 min.	3 @ 30 min.	
BTU's at +20°F Evap. Temp.	R 4906	6542	8178	9813	13082	16355	19626	
Voltage	SC 115	115/208-230	115/208-230	115/208-230	115	115	115	
Amperage	SC 16	13	16	16	N/A	N/A	N/A	
Remote Voltage	R 115	115	115	115	115	115	115	
Amperage, lights only	R 2	3	4	4	6	7	8	
Cord and plug	SC 5-20P	L14-20P	L14-20P	L14-20P	N/A	N/A	N/A	
	R N/A	N/A	N/A	N/A	N/A	N/A	N/A	
Exterior color	W, B, SS	W, B, SS	W, B, SS	W, B, SS	W, B, SS	W, B, SS	W, B, SS	
Interior color	W, B, SS	W, B, SS	W, B, SS	W, B, SS	W, B, SS	W, B, SS	W, B, SS	
# of rows / shelves	4 / 4	4 / 4	Call for Info	4 / 8	4 / 8	4 / 12	4 / 16	
Shelf size depth	(1) 14" (1) 16" (2) 18"	(1) 14" (1) 16" (2) 18"	Call for Info Call for Info	(2) 14" (2) 16" (4) 18"	(2) 14" (2) 16" (4) 18"	(3) 14" (3) 16" (6) 18"	(4) 14" (4) 16" (8) 18"	
Shipping Info								
Height	86"	86"	86"	86"	86"	86"	86"	
Depth	44"	44"	44"	44"	44"	44"	44"	
Length	61"	61"	86"	86"	109"	135"	157"	
Gross weight SC/R	700/575	965/790	1175/895	1175/1000	1580	1790	2000	
Cubic feet	130	130	Call for Info	184	233	288	336	

(ALL WHITE OR ALL BLACK, NO EXTRA CHARGE—IF COLORS ARE MIXED AN ADDITIONAL CHARGE WILL APPLY)

Prefix

SC = Self Contained
R = Remote

Suffix

B = Black
SS = Stainless Steel
LS = T8 lighting
LED = Solid state lighting

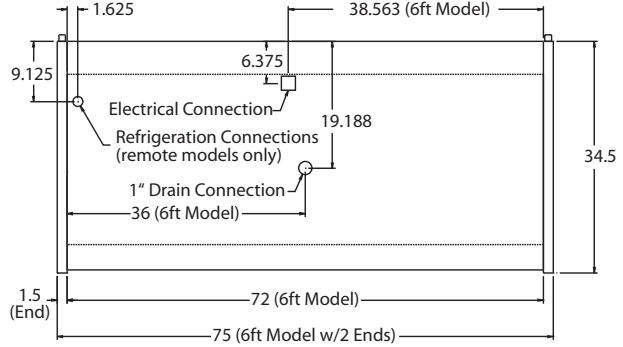
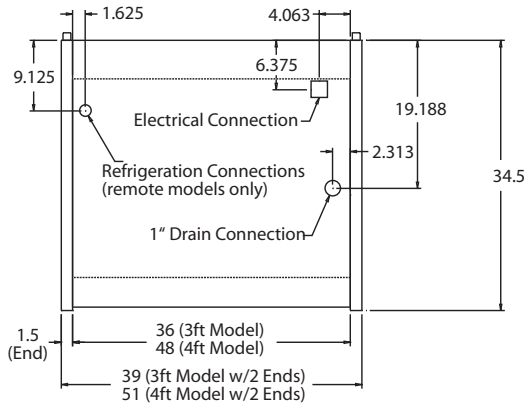
- Cases are designed to operate at 75 degrees Fahrenheit and 55% relative humidity
- Cases are equipped with drains; check your local building codes for connection requirements.
- Specification subject to change without notice



A Division of HMC Enterprises LLC • 831 East Cayuga St • Philadelphia, PA 19124 USA

(215) 464-6800 • 1-800-344-8222 • Fax (215) 969-4890 • E-Mail: sales@howardmccray.com • www.howardmccray.com

Technical Data • Side View • Plan View



FLOOR PLANS

