

### Product Specifications Sheets



| Model No.             | Description    | Length | Depth | Height | Voltage     | Amps | HP/BTUs | Power Cord | Est. Ship Weight |
|-----------------------|----------------|--------|-------|--------|-------------|------|---------|------------|------------------|
| <b>SC-OM30E-3-LS</b>  | Self Contained | 39"    | 30"   | 72"    | 115         | 12.0 | 1/2     | 5-15P      | 535              |
| <b>SC-OM30E-4-LS</b>  | Self Contained | 51"    | 30"   | 72"    | 115         | 13.7 | 3/4     | 5-20P      | 615              |
| <b>SC-OM30E-5-LS</b>  | Self Contained | 63"    | 30"   | 72"    | 115/208-230 | 13.1 | 1       | L14-20P    | 738              |
| <b>SC-OM30E-6-LS</b>  | Self Contained | 75"    | 30"   | 72"    | 115/208-230 | 13.1 | 1       | L14-20P    | 860              |
| <b>SC-ODM30E-8-LS</b> | Self Contained | 99"    | 30"   | 72"    | 115/208-230 | 14.3 | 1       | L14-20P    | 1085             |
| <b>R-OM30E-3-LS</b>   | Remote         | 39"    | 30"   | 72"    | 115         | 1.4  | 4200    | NO         | 482              |
| <b>R-OM30E-4-LS</b>   | Remote         | 51"    | 30"   | 72"    | 115         | 2.2  | 5600    | NO         | 554              |
| <b>R-OM30E-5-LS</b>   | Remote         | 63"    | 30"   | 72"    | 115         | 2.8  | 7000    | NO         | 664              |
| <b>R-OM30E-6-LS</b>   | Remote         | 75"    | 30"   | 72"    | 115         | 2.8  | 8400    | NO         | 774              |
| <b>R-OM30E-8-LS</b>   | Remote         | 99"    | 30"   | 72"    | 115         | 4.3  | 11200   | NO         | 977              |
| <b>R-OM30E-10-LS</b>  | Remote         | 123"   | 30"   | 72"    | 115         | 7.0  | 14000   | NO         | 1328             |
| <b>R-OM30E-12-LS</b>  | Remote         | 147"   | 30"   | 72"    | 115         | 8.0  | 16800   | NO         | 1548             |

MODEL NUMBER SUFFIX - B = Black W = White SS = Stainless Steel

- Cases are designed to operate at 75 degrees Fahrenheit and 55% relative humidity
- Specification subject to change without notice

**A Division of HMC Enterprises LLC** • 831 East Cayuga St • Philadelphia, PA 19124 USA

(215) 464-6800 • 1-800-344-8222 • Fax (215) 969-4890 • E-Mail: sales@howardmccray.com • www.howardmccray.com



**Standard Specifications and Optional Features**

**CONSTRUCTION**

- UL Classified to ANSI/NSF 7
- Foamed in place CFC free foam
- Heavy gauge steel super structure
- Multi deck
- Endless design allows for continuous line up

**INTERIOR**

- White, black, or stainless steel end panels
- Removable white, black, or stainless steel floor pans
- White, black, or stainless steel perforated rear wall (for even air distribution)
- Full length lighting at top of unit
- 3 levels of lit shelving with product stop
- 4 levels of product display
- Stylish tag molding on each shelf

**EXTERIOR**

- White, black, or stainless steel ends and front
- White, black, or stainless steel color band
- Removeable front grill allows for cleaning and servicing
- 1" bumper
- Choice of end panels

**FINISHES**

- White, black, or stainless steel end panels
- White, black, or stainless steel front rail
- White, black, or stainless steel front color band
- White, black, or stainless steel end trim
- Laminate, and custom paints available
- Coated galvanized rear

**LIGHTING**

- 1 row at inside top of unit
- 3 rows of lighted shelving

**ELECTRICAL REQUIREMENTS**

- Unit comes with cord and plug
- UL/CUL listed
- See Tech page for details on voltage

**REFRIGERATION**

- R404A expansion valve system
- Low velocity fans located below deck area (to insure even flow of air)
- Electronic Control System with automatic air defrost to Maintain Balanced Temperatures
- New high efficiency air screen technology
- Self contained system
- Copeland hermetic unit
- Remotes available

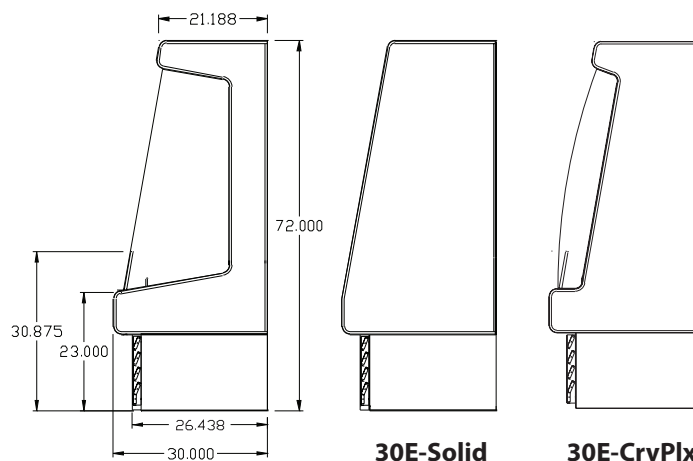
**OPTIONAL FEATURES**

- LED lights
- Night covers
- Security cover
- Peg bars
- Electric condensate pan, with separate plug
- Insulated divider for line ups
- Plexiglas divider for line ups
- Colored bumper
- Stainless steel, laminated or paint
- Product stops on shelving
- 3 Different end panel choices
- Digital thermometer

**Important Note:**

**All refrigerated cases are designed to operate in an environment of 75 degrees and 55% relative humidity. Product must be cooled before being displayed within the case.**

**DRAIN IS REQUIRED**



**Technical Data**

| Model No.                            | SC<br>R     | SC-OM30E-3-LS<br>R-OM30E-3-LS | SC-OM30E-4-LS<br>R-OM30E-4-LS | SC-OM30E-5-LS<br>R-OM30E-5-LS | SC-OM30E-6-LS<br>R-OM30E-6-LS | SC-OM30E-8-LS<br>R-OM30E-8-LS | R-OM30E-10-LS | R-OM30E-12-LS |
|--------------------------------------|-------------|-------------------------------|-------------------------------|-------------------------------|-------------------------------|-------------------------------|---------------|---------------|
| Length with (2) ends                 |             | 39"                           | 51"                           | 63"                           | 75"                           | 99"                           | 123"          | 147"          |
| Length without ends                  |             | 36"                           | 48"                           | 60"                           | 72"                           | 96"                           | 120"          | 144"          |
| Height with ends                     |             | 72"                           | 72"                           | 72"                           | 72"                           | 72"                           | 72"           | 72"           |
| Height without ends                  |             | 71.5"                         | 71.5"                         | 71.5"                         | 71.5"                         | 71.5"                         | 71.5"         | 71.5"         |
| Depth with ends                      |             | 30"                           | 30"                           | 30"                           | 30"                           | 30"                           | 30"           | 30"           |
| Depth without ends                   |             | 29"                           | 29"                           | 29"                           | 29"                           | 29"                           | 29"           | 29"           |
| Endless design                       |             | YES                           | YES                           | YES                           | YES                           | YES                           | YES           | YES           |
| <i>(Dimensions are +/- 1/4")</i>     |             |                               |                               |                               |                               |                               |               |               |
| Operating temperature                |             | 36°F to 40°F                  | 36°F to 40°F                  | 36°F to 40°F                  | 36°F to 40°F                  | 36°F to 40°F                  | 36°F to 40°F  | 36°F to 40°F  |
| Refrigerant<br>(expansion valve)     | SC          | R404A                         | R404A                         | R404A                         | R404A                         | R404A                         | R404A         | R404A         |
| Compressor size HP                   | SC          | 1/2                           | 1/2                           | 1                             | 1                             | 1                             |               |               |
| Defrost per day (24 hrs)<br>(24 hrs) | Air Defrost | 3 @ 30 min.                   | 3 @ 30 min.                   | 3 @ 30 min.                   | 3 @ 30 min.                   | 3 @ 30 min.                   | 3 @ 30 min.   | 3 @ 30 min.   |
| BTU's at +20°F<br>Evap. Temp.        | R           | 4200                          | 5600                          | 7000                          | 8400                          | 11200                         | 14000         | 16800         |
| Voltage                              | SC          | 115                           | 115                           | 115/208-230                   | 115/208-230                   | 115/208-230                   |               |               |
| Amperage                             | SC          | 12                            | 13.7                          | 13.1                          | 13.1                          | 14.3                          |               |               |
| Remote Voltage                       | R           | 115                           | 115                           | 115                           | 115                           | 115                           | 115           | 115           |
| Amperage,<br>lights only             | R           | 1.4                           | 2.2                           | 2.8                           | 2.8                           | 4.3                           | 7.0           | 8.0           |
| Cord and plug                        | SC          | 5-15P                         | 5-20P                         | L14-20P                       | L14-20P                       | L14-20P                       |               |               |
|                                      | R           | NO                            | NO                            | NO                            | NO                            | NO                            | NO            | NO            |
| Exterior color                       |             | W, B, SS                      | W, B, SS                      | W, B, SS                      | W, B, SS                      | W, B, SS                      | W, B, SS      | W, B, SS      |
| Interior color                       |             | W, B, SS                      | W, B, SS                      | W, B, SS                      | W, B, SS                      | W, B, SS                      | W, B, SS      | W, B, SS      |
| # of shelves                         |             | 3                             | 3                             | 3                             | 3                             | 3                             | 3             | 3             |
| Shelf size depth                     |             | (1) 14" (1) 16"               | (1) 14" (1) 16"               | (2) 14" (2) 16"               | Call for Info                 | Call for Info                 | Call for Info | Call for Info |
| <b>Shipping Info</b>                 |             |                               |                               |                               |                               |                               |               |               |
| Height                               |             | 76"                           | 76"                           | 76"                           | 76"                           | 76"                           | 76"           | 76"           |
| Depth                                |             | 44"                           | 44"                           | 44"                           | 44"                           | 44"                           | 44"           | 44"           |
| Length                               |             | 61"                           | 61"                           | Call for Info                 | 87"                           | 109"                          | Call for Info | Call for Info |
| Gross weight SC/R                    |             | 535/482                       | 615/554                       | 738/665                       | 860/774                       | 1085/977                      | Remote 1328   | Remote 1548   |
| Cubic feet                           |             | 115                           | 115                           | Call for Info                 | 166                           | 206                           | Call for Info | Call for Info |

**(ALL WHITE OR ALL BLACK, NO EXTRA CHARGE—IF COLORS ARE MIXED AN ADDITIONAL CHARGE WILL APPLY)**

|                     |                      |
|---------------------|----------------------|
| <b>Prefix</b>       | <b>Suffix</b>        |
| SC = Self Contained | B = Black            |
| R = Remote          | W = White            |
|                     | SS = Stainless Steel |
|                     | LS = T8 lighting     |
|                     | LED = LED lighting   |

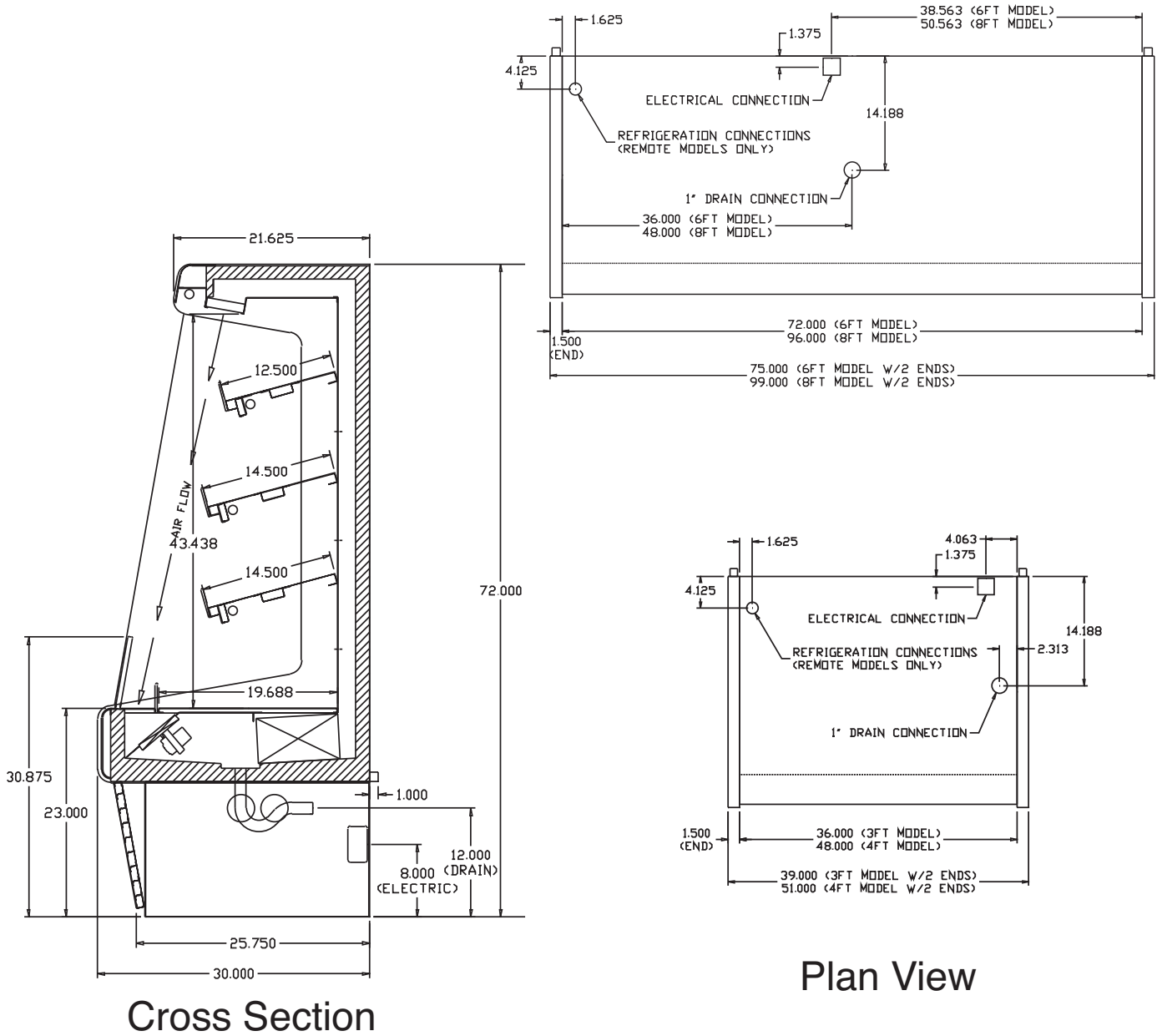
- Cases are designed to operate at 75 degrees Fahrenheit and 55% relative humidity
- Cases are equipped with drains; check your local building codes for connection requirements.
- Specification subject to change without notice



**A Division of HMC Enterprises LLC • 831 East Cayuga St • Philadelphia, PA 19124 USA**

**(215) 464-6800 • 1-800-344-8222 • Fax (215) 969-4890 • E-Mail: sales@howardmccray.com • www.howardmccray.com**

**Technical Data • Side View • Plan View**



**Cross Section**

**Plan View**

