

## 34N Series Double Duty Fish & Poultry



Model No.	Description	Length	Depth	Height	Voltage	Amps	HP/BTUs	Power Cord	Est. Ship Weight
<b>SC-CFS34N-4</b>	Self Contained	48"	36.25***	55"	115	6.0	1/4	5-20P	530
<b>SC-CFS34N-6</b>	Self Contained	72"	34.25"	55"	115	6.4	1/3	5-20P	741
<b>SC-CFS34N-8</b>	Self Contained	96"	34.25"	55"	115	9.1	1/2	5-20P	897
<b>SC-CFS34N-10</b>	Self Contained	120"	34.25"	55"	115	9.9	1/2	5-20P	1150
<b>SC-CFS34N-12</b>	Self Contained	144"	34.25"	55"	115	13.8	3/4	5-20P	1414
<b>R-CFS34N-4</b>	Self Contained	48"	34.25"	55"	115	0.8	820	NO	497
<b>R-CFS34N-6</b>	Self Contained	72"	34.25"	55"	115	1.3	1230	NO	693
<b>R-CFS34N-8</b>	Self Contained	96"	34.25"	55"	115	1.6	1640	NO	832
<b>R-CFS34N-10</b>	Self Contained	120"	34.25"	55"	115	2.4	2050	NO	1089
<b>R-CFS34N-12</b>	Self Contained	144"	34.25"	55"	115	2.4	2460	NO	1359

MODEL NUMBER PREFIX - SC = Self Contained R = Remote  
 MODEL NUMBER SUFFIX - W = White B = Black S = Stainless Steel LED = LED lighting  
 • Cases are designed to operate at 75 degrees Fahrenheit and 55% relative humidity  
 • Cases are equipped with drains; check your local building codes for connection requirements.  
 • Specification subject to change without notice  
 IF COLORS ARE MIXED AN ADDITIONAL CHARGE WILL APPLY



## 34N Series Double Duty Fish & Poultry

### Standard Specifications and Optional Features

#### CONSTRUCTION

- UL Classified to ANSI/NSF 7
- Foamed in place CFC free foam
- Thermal insulated front glass 28"H
- Heavy gauge steel super structure
- Bottom storage
- Drain is included for cleaning

#### INTERIOR

- White
- White aluminum floor (bottom storage area)
- Air insulated baffle (prevents moisture from dripping into display area)

#### EXTERIOR

- Double pane rear removable doors
- Newly designed rear compression door jamb
- Removable front grille allows for cleaning
- Removable rear grille for easy servicing
- GFI protected outlet mounted rear right
- Removable rear top glass doors
- Removable rear bottom glass doors 6' and 8'
- Rear exterior mounted switch
- Rear exterior mounted electronic control (thermostat)
- 1" Bumper

#### FINISHES

- Thermal formed doors and door tracks
- White front and ends
- Stainless steel mirror trim
- Stainless steel heavy gauge top - 23.3" W
- White exterior rear

#### LIGHTING

- 2 rows of lighting at top of unit

#### ELECTRICAL REQUIREMENTS

- 115V
- 8' Power cord 5-20P
- UL/CUL listed
- 115V-12AMP general purpose receptacle (wired separately)

#### REFRIGERATION

- CopeVap system (eliminates need for condensate pan)
- R134a expansion valve system
- Full length gravity coil located at inside top of unit and in bottom day storage area
- Self contained unit
- Automatic defrost electronically controlled
- Remotes available

#### OPTIONS

- Scale stand 8'
- Paper cutter 8'
- Stainless steel, laminate, or paint
- Mirrored doors
- Extra stainless steel mezzanine shelf
- Drop work shelf
- Front bumper 3"
- Door locks
- Digital thermometer
- Coated coils
- LED lighting at top of unit
- Lit shelves up to two (2) rows

#### **Important Note:**

**All refrigerated cases are designed to operate in an environment of 75 degrees and 55% relative humidity.**

**Product must be cooled before being displayed within the case.**

**DRAIN IS REQUIRED FOR CLEANING**

## 34N Series Double Duty Fish & Poultry

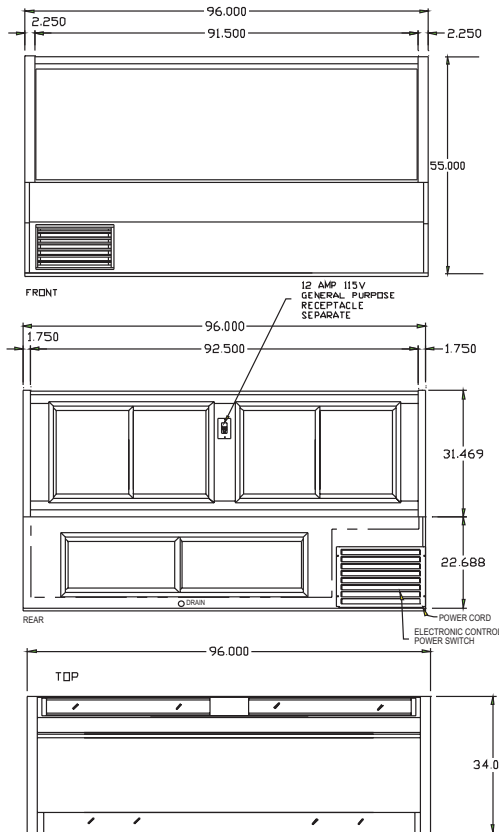
### Technical Data / Stand Alone Design

Model No.	SC R	SC-CFS34N-4 R-CFS34N-4	SC-CFS34N-6 R-CFS34N-6	SC-CFS34N-8 R-CFS34N-8	SC-CFS34N-10 R-CFS34N-10	SC-CFS34N-12 RCDS34N-12
Length		48"	72"	96"	120"	144"
Height		55"	55"	55"	55"	55"
Depth		36.25"	34.25"	34.25"	34.25"	34.25"
Depth with bottom door	SC	36.25"	34.25"	34.25"	34.25"	34.25"
(Dimensions are +/- 1/4")						
Operating temperature		36°F to 40°F	36°F to 40°F	36°F to 40°F	36°F to 40°F	36°F to 40°F
Refrigerant (exp. valve)	SC	R134a	R134a	R134a	R134a	R134a
Compressor size HP	SC	1/4	1/3	1/2	1/2	3/4
Defrost per day (24 hours)		Electronic controlled 1 per day	Electronic controlled 1 per day	Electronic controlled 1 per day	Electronic controlled 1 per day	Electronic controlled 1 per day
BTU's at +20°F Evap. Temp.	R	820	1230	1640	2050	2460
Voltage		115	115	115	115	115
Amperage unit only		6.0	8.7	11.2	13.8	17.4
Cord and plug		No	No	No	No	No
Exterior color		W/B/SS	W/B/SS	W/B/SS	W/B/SS	W/B/SS
Interior color		W/SS	W/SS	W/SS	W/SS	W/SS
Inside end panels		W/SS	W/SS	W/SS	W/SS	W/SS
Floors		W/SS	W/SS	W/SS	W/SS	W/SS
# of top doors		2	2	4	4	4
Door size		23.56" x 18.56"	23.56" x 29.3"	23.56" x 19.56"	23.56" x 29.3"	23.56" x 19.56"
# of bottom doors	SC	1 external	2 sliding	2 sliding	2 sliding	2 sliding
Bottom door size		14" x 18.56"	14" x 19.56"	14" x 29.3"	14" x 29.3"	14" x 29.3"
# of coils		2	2	2	2	2
Bottom storage		Yes	Yes	Yes	Yes	Yes
Front glass		28" x 43.5"	28" x 65.25"	28" x 91.5"		
# of main deck shelves		2	3	4		
Main deck size		(1)30"X18" (1) 30" x 23.875"	(1)30"X18" (2) 30" x 23.875"	(1)30"X18" (3) 30" x 23.875"	(1)30"X18" (4) 30" x 23.875"	(1)30"X18" (5) 30" x 23.875"
Floor Racks		(2) 23.625" x 22"	(3) 23.625" x 22"	(4) 23.625" x 22"	(5) 23.625" x 22"	(6) 23.625" x 22"
Cubic capacity		30	45	60		
Mezzanine shelf		Optional	Optional	Optional	Optional	Optional
Shipping Info						
Height		61"	61"	61"	61"	61"
Depth		44"	44"	44"	44"	44"
Length		61"	87"	109"		
Gross weight SC/R		530/497	741/693	897/832	1150/1089	1414/1359

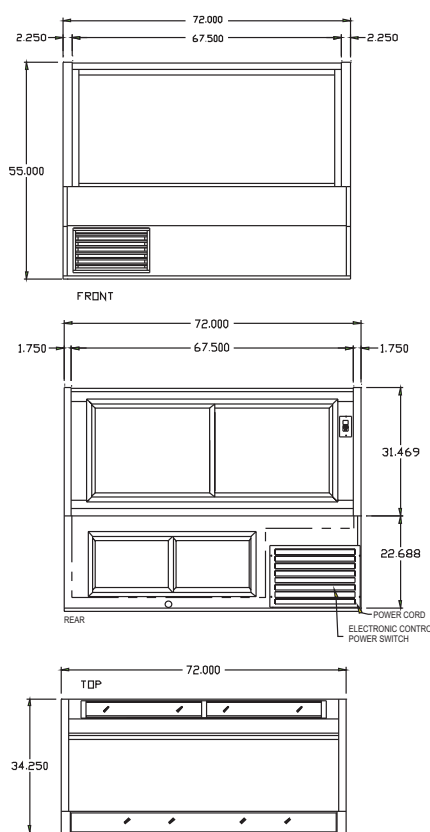
## 34N Series Double Duty Fish & Poultry

### Technical Data • Side View • Plan View

**SC-CFS34N-8**  
8' Side View



**SC-CFS34N-6**  
6' Side View



**SC-CFS34N-4**  
4' Side View

