

Product Specifications Sheets



Model No.	Description	Length	Depth	Height	Voltage	Amps	HP/BTUs	Power Cord	Est. Ship Weight
SC-CMS34E-4	Self Contained	52.5"	36.5"	53.5"	115	6	1/4	NO	530
SC-CMS34E-6	Self Contained	76.5"	34.5"	53.5"	115	8.7	1/3	NO	741
SC-CMS34E-8	Self Contained	100.5"	34.5"	53.5"	115	11.2	1/2	NO	897
SC-CMS34E-10	Self Contained	124.5"	34.5"	53.5"	115	13.8	1/2	NO	1150
SC-CMS34E-12	Self Contained	148.5"	34.5"	53.5"	115	17.4	3/4	NO	1414
R-CMS34E-4	Remote	52.5"	34.5"	53.5"	115	.8	1400	NO	497
R-CMS34E-6	Remote	76.5"	34.5"	53.5"	115	1.3	2100	NO	693
R-CMS34E-8	Remote	100.5"	34.5"	53.5"	115	1.6	2800	NO	832
R-CMS34E-10	Remote	124.5"	34.5"	53.5"	115	2.4	3500	NO	1089
R-CMS34E-12	Remote	148.5"	34.5"	53.5"	115	2.4	4200	NO	1359

MODEL NUMBER SUFFIX - B = Black W = White SS = Stainless Steel
 • Cases are designed to operate at 75 degrees Fahrenheit and 55% relative humidity
 • Specification subject to change without notice



Standard Specifications and Optional Features**CONSTRUCTION**

- UL Classified to ANSI/NSF 7
- Foamed in place CFC free foam
- Triple pane insulated front glass - 28" H
- Heavy gauge steel super structure
- Bottom storage
- Endless design allows for continuous line up
- Drain is included for cleaning

INTERIOR

- White, black, and stainless steel ends
- White aluminum floor (bottom storage area)
- Air insulated baffle (prevents moisture from dripping into display area)

EXTERIOR

- Double pane rear removable doors
- Newly designed rear compression door jamb
- Removable front grille allows for cleaning
- Removable rear grille for easy servicing
- 2 - 1/4" removeable end panels

FINISHES

- Satin finish extrusion on doors and door tracks
- White, black, and stainless steel front and ends
- Stainless steel mirror trim
- Stainless steel heavy gauge top - 19 - 1/2" W
- Rear of unit is stainless steel brush finish at top
- Bottom rear is designer white aluminum

LIGHTING

- 2 rows of T12 lighting at top of unit

ELECTRICAL REQUIREMENTS

- 115V
- Unit must be hard wired
- UL/CUL listed
- 115V-12AMP general purpose receptacle (wired separately)

REFRIGERATION

- Coevap system (eliminates need for condensate pan)
- R134A expansion valve system
- Gravity coil located at inside top of unit
- Self contained unit
- Automatic defrost controlled by time clock (self contained unitys only)
- Pressure control maintains constant temperatures
- Remotes available

OPTIONS

- Scale stand
- Paper cutter
- Stainless steel, laminate, or paint
- Mirrored doors
- Stainless steel mezzanine shelf
- Drop work shelf
- Front bumper 1" or 3"
- Door locks
- Digital thermometer
- Pass thru front doors 4', 6', 8' only
- Meat platters
- Red meat bulbs

Important Note:

All refrigerated cases are designed to operate in an environment of 75 degrees and 55% relative humidity.

Product must be cooled before being displayed within the case.

DRAIN IS REQUIRED

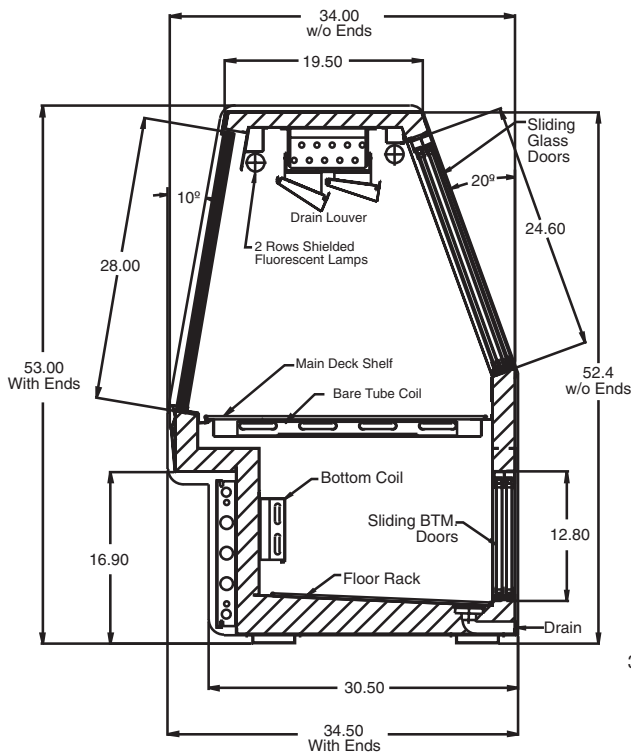


Technical Data

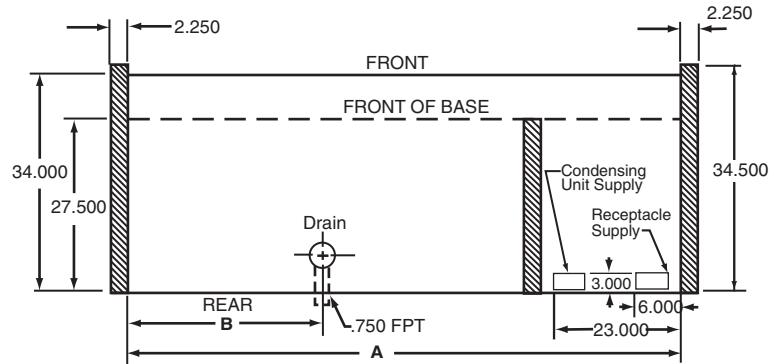
Model No.	SC R	SC-CMS34E-4 R-CMS34E-4	SC-CMS34E-6 R-CMS34E-6	SC-CMS34E-8 R-CMS34E-8	SC-CMS34E-10 R-CMS34E-10	SC-CMS34E-12 R-CMS34E-12
Length with (2) ends		52.5"	76.5"	100.5"	124.5"	148.5"
Length without ends		48"	72"	96"	120"	144"
Height with ends		53.5"	53.5"	53.5"	53.5"	53.5"
Height without ends		53"	53"	53"	53"	53"
Depth with ends		37.5"	34.5"	34.5"	34.5"	34.5"
Depth without ends		37"	34"	34"	34"	34"
Endless design		YES	YES	YES	YES	YES
(Dimensions are +/- 1/4")						
Operating temperature		34°F to 36°F	34°F to 36°F	34°F to 36°F	34°F to 36°F	34°F to 36°F
Refrigerant (exp. valve)	SC	R134A	R134A	R134A	R134A	R134A
Compressor size HP	SC	1/4	1/3	1/2	1/2	3/4
Defrost per day (24 hours)	Air Defrost	1 per day	1 per day	1 per day	1 per day	1 per day
BTU's at +20°F Evap. Temp.	R	1400	2100	2800	3500	4200
Voltage	SC	115	115	115	115	115
Amperage	SC	6.0	8.7	11.2	13.8	17.4
Remote Voltage	R	115	115	115	115	115
Amperage, lights only	R	0.8	1.3	1.6	2.4	2.4
Cord and plug	SC	NO	NO	NO	NO	NO
	R	NO	NO	NO	NO	NO
Exterior color		W, B, SS	W, B, SS	W, B, SS	W, B, SS	W, B, SS
Interior color		W, B, SS	W, B, SS	W, B, SS	W, B, SS	W, B, SS
Inside end panels		W, B, SS	W, B, SS	W, B, SS	W, B, SS	W, B, SS
Floors		W, B, SS	W, B, SS	W, B, SS	W, B, SS	W, B, SS
Drain required		Copevap	Copevap	Copevap	Copevap	Copevap
# of top doors		2	2	4	4	4
Door size		20.5" x 23.5"	20.5" x 23.5"	20.5" x 23.5"	20.5" x 23.5"	20.5" x 23.5"
# of coils		3	3	3	3	3
Bottom storage		YES	YES	YES	YES	YES
Front glass		28" x 46.6875"	28" x 70.6875"	28" x 94.6875"	28" x 118.6875"	28" x 142.6875"
Cubic capacity		30	45	60	75	90
Mezzanine - shelf		Optional	Optional	Optional	Optional	Optional
Shipping Info						
Height		58"	58"	58"	58"	58"
Depth		44"	44"	44"	44"	44"
Length		61"	87"	109"	135"	157"
Gross weight SC/R		530/497	741/693	897/832	1150/1089	1414/1359
Cubic feet		89	128	164	199	231



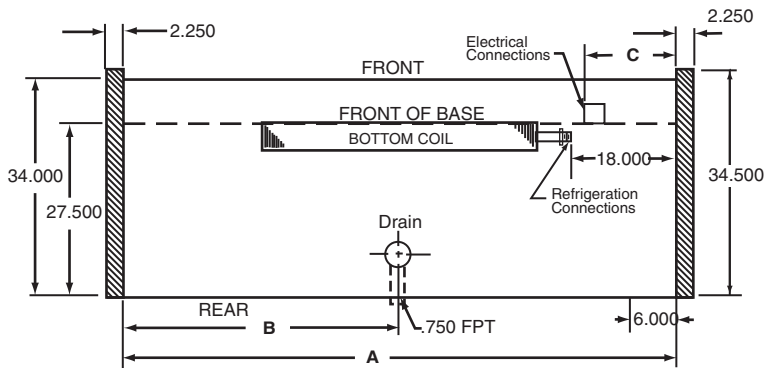
Technical Data • Side View • Plan View



Cross Section



MODEL NO.	A	B
S/C-34E-4	48"	12"
S/C-34E-6	72"	24"
S/C-34E-8	96"	36"
S/C-34E-10	120"	48"
S/C-34E-12	144"	60"



MODEL NO.	A	B	C
R-34E-4	48"	24"	4"
R-34E-6	72"	36"	4"
R-34E-8	96"	48"	52"
R-34E-10	120"	60"	52"
R-34E-12	144"	72"	76"

Plan Views

