

Product Specification Sheet



Model No.	Description	Length	Depth**	Height w/casters	Voltage	Amps	HP	Power Cord	Est. Ship Weight
Refrigerators									
GR22-LED	One Door	26.50"	36.47"	83"	115	10.2	1/3	5-15P	330
GR48-LED	Two Door	52.25"	36.47"	83"	115	11.0	1/3	5-15P	520
GR75-LED	Three Door	78.00"	36.47"	83"	115	13.8	1/2	5-20P	720
GR102-LED	Four Door	103.75"	36.47"	83"	115/208-230	6.4/7.1	3/4	L14-20P	980
Freezers / Frozen Food									
GF22-FF-LED	One Door	26.50"	36.47"	83"	115/208-230	16.0	1/2	5-15P	390
GF48-FF-LED	Two Door	52.25"	36.47"	83"	115/208-230	16.0	3/4	L14-20P	590
GF75-FF-LED	Three Door	78.00"	36.47"	83"	115/208-230	16.0	1	L14-20P	790
GF102-FF-LED	Four Door	103.75"	36.47"	83"	115/208-230	16.0/16.0	(2) 3/4	L14-20P(2)	1174
Freezers / Low Temp									
GF22-LED	One Door	26.50"	36.47"	83"	115/208-230	12.0	3/4	L14-20P	390
GF22-LED-V7	One Door	26.50"	36.47"	83"	115	16.0	3/4	5-20P	390
GF48-LED	Two Door	52.25"	36.47"	83"	115/208-230	16.0	1-1/2	L14-20P	590
GF75-LED	Three Door	78.00"	36.47"	83"	115/208-230	16.0	1-3/4	L14-20P	790

**Depth with drain and door handle

MODEL NUMBER SUFFIX - B = Black Standard = White S = Stainless Steel

- Cases are designed to operate at 75 degrees Fahrenheit and 55% relative humidity
- Specification subject to change without notice



A Division of HMC Enterprises LLC • 831 East Cayuga St • Philadelphia, PA 19124 USA

(215) 464-6800 • 1-800-344-8222 • Fax (215) 969-4890 • E-Mail: sales@howardmccray.com • www.howardmccray.com

Standard Specification and Optional Features

CONSTRUCTION

- UL Classified to ANSI/NSF 7
- Heavy Duty Construction
- Foamed in place CFC free foam
- Removable front grille for easy servicing
- 1, 2, 3, or 4 door models available
- Heavy duty edge mounted hinges

INTERIOR

- White aluminum ends and rear (optional black and stainless steel)
- White aluminum floors (optional black and stainless steel)
- Aluminum evaporator fan housing
- 4 Heavy duty epoxy coated shelves per door

EXTERIOR

- White aluminum ends and front (optional black and stainless steel)
- Triple pane glass doors 23-3/4" x 62-1/4"
- Doors - chrome finish (white and stainless steel)
- Doors - black finish (black)
- 5" Casters

LIGHTING

- Vertical LED light strips
- 1 Dr = 2 LED light strips
- 2 Dr = 4 LED light strips
- 3 Dr = 6 LED light strips
- 4 Dr = 8 LED light strips

OPTIONAL FEATURES

- Door swing change
- Digital thermometer
- Extra shelf with clips
- Cantilever shelves
- Door locks
- Stainless steel, laminated or paint
- 6" Legs
- 115V_GF22-V4 model

Important Note:

All refrigerated cases are designed to operate in an environment of 75 degrees and 55% relative humidity. Product must be cooled before being displayed within the case.

REFRIGERATORS

ELECTRICAL REQUIREMENTS

- 8' Cord and plug see technical data
- UL/CUL listed
- 1, 2, 3 door units, 115V
- 4 door unit, 115V/208-230V

REFRIGERATION

- Top mounted condensing unit
- R134a refrigeration
- 1, 2, 3 Door units Capillary tube
- 4 Door unit Expansion valve
- Electronically controlled with audio alarm
- Automatic air defrost
- Electric evaporator pan - (115V-separate plug)
- Remote available

FREEZERS

ELECTRICAL REQUIREMENTS

- 8' cord NEMA plug see technical data
- UL/CUL listed
- 115V/208-230V
- 115V on GF22-V7 model

REFRIGERATION

- Top mounted condensing unit
- R404A expansion valve system
- Electronically controlled with audio alarm
- Automatic air defrost
- Electric condensate pan - (115V-separate plug)
- Remote available



Technical Data/Refrigerators

Model No. REFRIGERATORS	SC R	GR22-LED R-GR22-LED	GR48-LED R-GR48-LED	GR75-LED R-GR75-LED	GR102-LED R-GR102-LED
Length		26.5"	52.25"	78"	103.75"
Height w/ casters		83"	83"	83"	83"
Depth with drain cover handle		36.47"	36.47"	36.47"	36.47"
(Dimensions are +/- 1/4")					
Operating temperature		36°F to 40°F	36°F to 40°F	36°F to 40°F	36°F to 40°F
Refrigerant	SC	R134a	R134a	R134a	R134a
Expansion Valve	R	R404A	R404A	R404A	R404A
System type		Capillary tube	Capillary tube	Capillary tube	Expansion valve
Compressor size HP	SC	1/3	1/3	1/2	3/4
Refrigeration system		Electronic controlled	Electronic controlled	Electronic controlled	Electronic controlled
Defrost per day (24 hours)	Air Defrost	Electronic controlled	Electronic controlled	Electronic controlled	Electronic controlled
Defrost per day	R.	1 per day	1 per day	1 per day	1 per day
BTU's at +20°F Evap. Temp.	R	1300	1900	2600	3000
Voltage	SC	115	115	115	115/208-230
Amperage	SC	10.2	11.0	13.8	6.4/7.1
Voltage	R	115	115	115	115
Amperage, lights, fans	R	2.6	3.4	4.1	6.4
Cord and plug	SC	5-15P	5-15P	5-20P	L14-20P
	R	NO	NO	NO	NO
Drain electric condensate plug		115V	115V	115V	115V
Exterior color		W, B, S	W, B, S	W, B, S	W, B, S
Interior color		W, B, S	W, B, S	W, B, S	W, B, S
Door size		23.75 x 62.25	23.75 x 62.25	23.75 x 62.25	23.75 x 62.25
Total shelves		4	8	12	16
Shelf size		(4) 20.75" x 23"	(8) 22.75" x 23"	(8) 22.75" x 23" (4) 25" x 23"	(8) 22.75" x 23" (8) 25" x 23"
Cubic capacity		22	48	75	102
Shipping Info					
Height		86"	86"	86"	86"
Depth		44"	44"	44"	44"
Length		31"	58"	84"	109"
Gross weight SC/R		330/215	520/405	720/595	980/830
Cubic feet		68	127	184	228

(ALL WHITE OR ALL BLACK, NO EXTRA CHARGE—IF COLORS ARE MIXED AN ADDITIONAL CHARGE WILL APPLY)

Prefix

SC = Self Contained
R = Remote

Suffix

Standard White
B = Black
S = Stainless Steel
LED = LED lighting

- Cases are designed to operate at 75 degrees Fahrenheit and 55% relative humidity
- Specification subject to change without notice



Technical Data/Frozen Food Freezers

Model No. FREEZER FROZEN FOOD	SC R	GF22-LED R-GF22-LED	GF48-LED R-GF48-LED	GF75-LED R-GF75-LED	GF102-LED R-GF102-LED
Length		26.5"	52.25"	78"	103.75"
Height w/ casters		83"	83"	83"	83"
Depth with drain cover handle (Dimensions are +/- 1/4")		36.47"	36.47"	36.47"	36.47"
Operating temperature		-5°F to 5°F	-5°F to 5°F	-5°F to 5°F	-5°F to 5°F
Refrigerant	SC	R404A	R404A	R404A	R404A
Expansion Valve	R	R404A	R404A	R404A	R404A
System type		Expansion valve	Expansion valve	Expansion valve	Expansion valve
Compressor size HP	SC	1/2	3/4	1	(2) 3/4
Refrigeration system		Electronic controlled	Electronic controlled	Electronic controlled	Electronic controlled
Defrost per day (24 hours)	Air Defrost	Electronic controlled	Electronic controlled	Electronic controlled	Electronic controlled
Defrost per day	R.	3 per day	3 per day	3 per day	3 per day
BTU's at -15°F Evap. Temp.	R	2150	3480	4620	(2) 3480
Voltage	SC	115	115/208-230	115/208-230	115/208-230
Amperage	SC	16.0	16.0	16.0	16.0/16.0
Voltage	R	115	115/208-230	115/208-230	115/208-230
Amperage, lights, fans, defrost heaters	R	10.5	9.0	11.6	8.8/9.9
Cord and plug	SC R	5-20P NO	L14-20P NO	L14-20P NO	(2) L14-20P NO
Drain electric condensate plug		115V	115V	115V	115V
Exterior color		W, B, S	W, B, S	W, B, S	W, B, S
Interior color		W, B, S	W, B, S	W, B, S	W, B, S
Door size		23.75 x 62.25	23.75 x 62.25	23.75 x 62.25	23.75 x 62.25
Total shelves		4	8	12	16
Shelf size		(4) 20.75" x 23"	(8) 22.75" x 23"	(8) 22.75" x 23" (4) 25" x 23"	(8) 22.75" x 23" (8) 25" x 23"
Cubic capacity		22	48	75	102
Shipping Info					
Height		86"	86"	86"	86"
Depth		44"	44"	44"	44"
Length		31"	58"	84"	109"
Gross weight SC/R		390/240	590/440	790/650	1174/874
Cubic feet		68	127	184	228

(ALL WHITE OR ALL BLACK, NO EXTRA CHARGE—IF COLORS ARE MIXED AN ADDITIONAL CHARGE WILL APPLY)

Prefix

SC = Self Contained
R = Remote

Suffix

Standard White
B = Black
S = Stainless Steel
LED = LED lighting

- Cases are designed to operate at 75 degrees Fahrenheit and 55% relative humidity
- Cases are equipped with drains; check your local building codes for connection requirements.
- Specification subject to change without notice



Technical Data/Low Temp Freezers

Model No. FREEZER ICE CREAM	SC R	GF22-IC-LED R-GF22-IC-LED	GF48-IC-LED R-GF48-IC-LED	GF75-IC-LED R-GF75-IC-LED
Length		26.5"	52.25"	78"
Height w/ casters		83"	83"	83"
Depth with drain cover handle		36.47"	36.47"	36.47"
(Dimensions are +/- 1/4")				
Operating temperature		-15°F to -5°F+	-15°F to -5°F+	-15°F to -5°F+
Refrigerant	SC	R404A	R404A	R404A
Expansion Valve	R	R404A	R404A	R404A
System type		Expansion valve	Expansion valve	Expansion valve
Compressor size HP	SC	3/4	1-1/2	1-3/4
Refrigeration system		Electronic controlled	Electronic controlled	Electronic controlled
Defrost per day (24 hours)	Air Defrost	Electronic controlled	Electronic controlled	Electronic controlled
Defrost per day		R.	3 per day	3 per day
BTU's at -35°F Evap. Temp.	R	2311	4019	6002
Voltage	SC	115/208-23	115/208-230	115/208-230
Amperage		SC	12.0	16.0
Voltage	R	115	115/208-230	115/208-230
Amperage, remote, lights, fans, defrost heaters	R	10.5	9.0	11.6
Cord and plug	SC	L14-20P (V7) 5-20P	L14-20P	L14-20P
	R	NO	NO	NO
Drain electric condensate plug		115V	115V	115V
Exterior color		W, B, S	W, B, S	W, B, S
Interior color		W, B, S	W, B, S	W, B, S
Door size		23.75 x 62.25	23.75 x 62.25	23.75 x 62.25
Total shelves		4	8	12
Shelf size		(4) 20.75" x 23"	(8) 22.75" x 23"	(8) 22.75" x 23" (4) 25" x 23"
Cubic capacity		22	48	75
Shipping Info				
Height		86"	86"	86"
Depth		44"	44"	44"
Length		31"	58"	84"

(ALL WHITE OR ALL BLACK, NO EXTRA CHARGE—IF COLORS ARE MIXED AN ADDITIONAL CHARGE WILL APPLY)

Prefix

SC = Self Contained
R = Remote

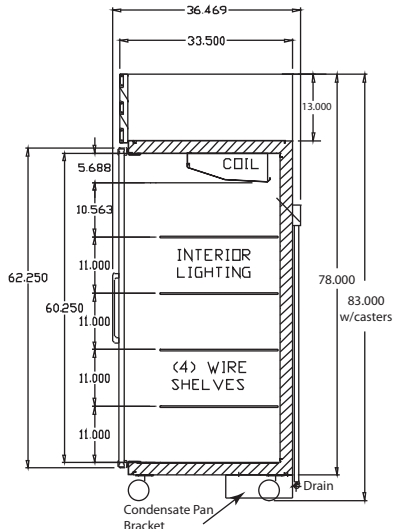
Suffix

Standard White
B = Black
S = Stainless Steel
LED = LED lighting

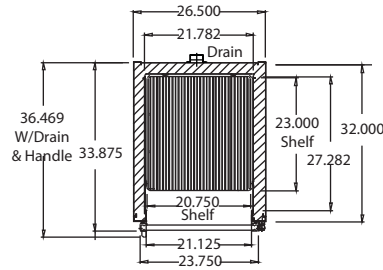
- Cases are designed to operate at 75 degrees Fahrenheit and 55% relative humidity
- Cases are equipped with drains; check your local building codes for connection requirements.
- Specification subject to change without notice



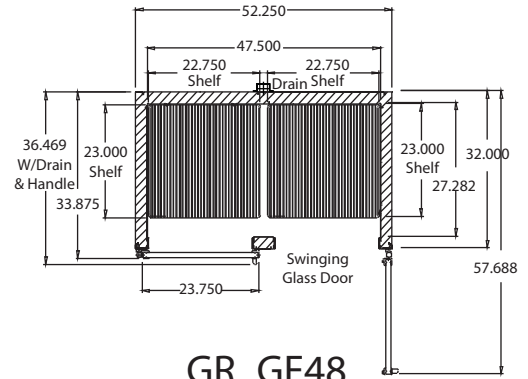
Technical Data • Side View • Plan View



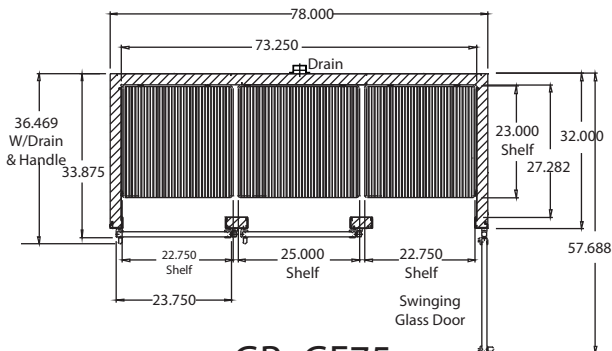
Cross Section



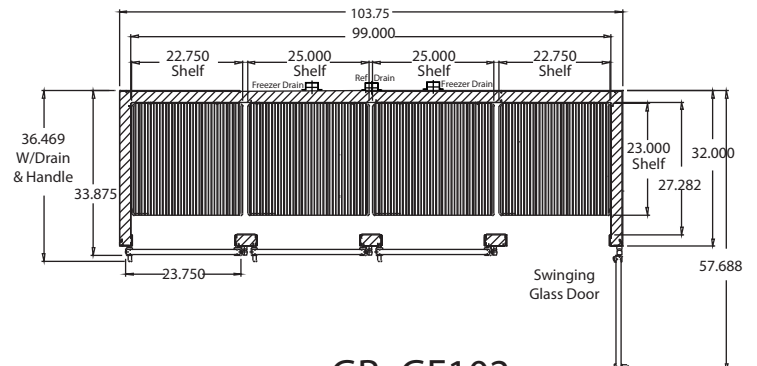
GR_GF22



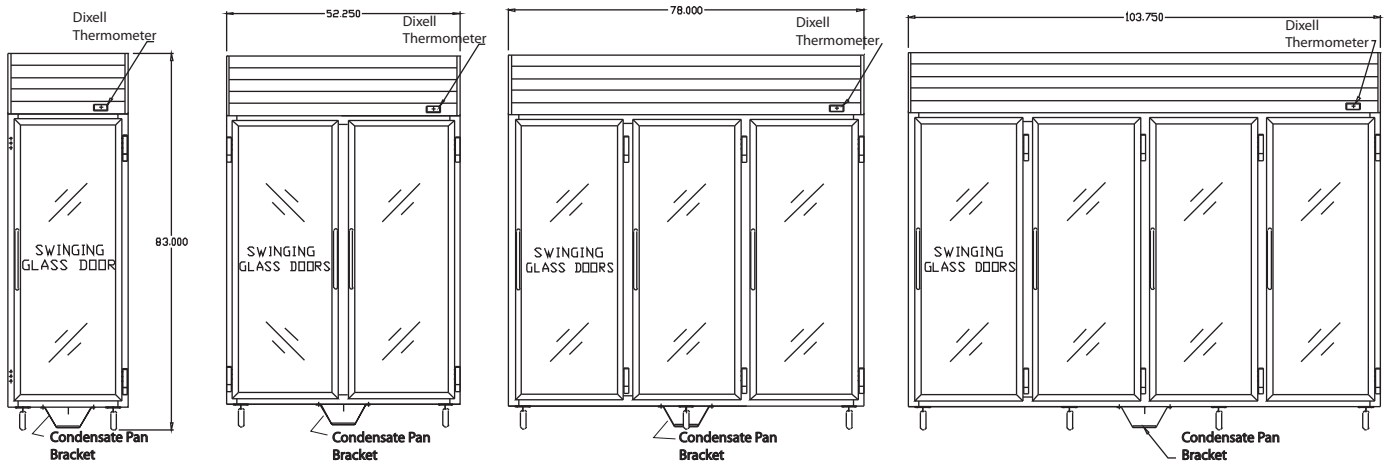
GR_GF48



GR_GF75



GR_GF102



Front View

