

Product Specification Sheet



Model No.	Description	Length	Depth	Height w/casters	Voltage	Amps	HP	Power Cord	Est. Ship Weight
Refrigerators									
GR22	One Door	26.50"	34.75"	83"	115	10.2	1/3	5-15P	330
GR48	Two Door	52.25"	34.75"	83"	115	11.0	1/3	5-15P	520
GR75	Three Door	78.00"	34.75"	83"	115	13.8	1/2	5-20P	720
GR102	Four Door	103.75"	34.75"	83"	115/208-230	6.4/7.1	3/4	L14-20P	980
Freezers / Frozen Food									
GF22-FF	One Door	26.50"	34.75"	83"	115/208-230	16.0	1/2	5-15P	390
GF48-FF	Two Door	52.25"	34.75"	83"	115/208-230	16.0	3/4	L14-20P	590
GF75-FF	Three Door	78.00"	34.75"	83"	115/208-230	16.0	1	L14-20P	790
GF102-FF	Four Door	103.75"	34.75"	83"	115/208-230	16.0/16.0	(2) 3/4	L14-20P(2)	1174
Freezers / Low Temp									
GF22-LT	One Door	26.50"	34.75"	83"	115/208-230	12.0	3/4	L14-20P	390
GF22-LT -V7	One Door	26.50"	34.75"	83"	115	16.0	3/4	5-20P	390
GF48-LT	Two Door	52.25"	34.75"	83"	115/208-230	16.0	1-1/2	L14-20P	590
GF75-LT	Three Door	78.00"	34.75"	83"	115/208-230	16.0	1-3/4	L14-20P	790

MODEL NUMBER SUFFIX - B = Black Standard = White S = Stainless Steel
 • Cases are designed to operate at 75 degrees Fahrenheit and 55% relative humidity
 • Specification subject to change without notice



A Division of HMC Enterprises LLC • 831 East Cayuga St • Philadelphia, PA 19124 USA

(215) 464-6800 • 1-800-344-8222 • Fax (215) 969-4890 • E-Mail: sales@howardmccray.com • www.howardmccray.com

Standard Specification and Optional Features

CONSTRUCTION

- UL Classified to ANSI/NSF 7
- Heavy Duty Construction
- Foamed in place CFC free foam
- Removable front grille for easy servicing
- 1, 2, 3, or 4 door models available
- Heavy duty edge mounted hinges

INTERIOR

- White aluminum ends and rear (optional black and stainless steel)
- White aluminum floors (optional black and stainless steel)
- Aluminum evaporator fan housing
- 4 Heavy duty epoxy coated shelves per door

EXTERIOR

- White aluminum ends and front (optional black and stainless steel)
- Triple pane glass doors 23-3/4" x 62-1/4"
- Doors - chrome finish (white and stainless steel)
- Doors - black finish (black)
- 5" Casters

LIGHTING

- Vertical LED light strips - standard
- 1 Dr = 2 LED light strips
- 2 Dr = 4 LED light strips
- 3 Dr = 6 LED light strips
- 4 Dr = 8 LED light strips

OPTIONAL FEATURES

- Door swing change
- Digital thermometer
- Extra shelf with clips
- Cantilever shelves
- Door locks
- Stainless steel, laminated or paint
- 6" Legs
- 115V_GF22-V4 model

Important Note:

All refrigerated cases are designed to operate in an environment of 75 degrees and 55% relative humidity. Product must be cooled before being displayed within the case.

REFRIGERATORS

ELECTRICAL REQUIREMENTS

- 8' Cord and plug see technical data
- UL/CUL listed
- 1, 2, 3 door units, 115V
- 4 door unit, 115V/208-230V

REFRIGERATION

- Top mounted condensing unit
- R134a refrigeration
- 1, 2, 3 Door units Capillary tube
- 4 Door unit Expansion valve
- Electronically controlled with audio alarm
- Automatic air defrost
- Electric evaporator pan - (115V-separate plug)
- Remote available

FREEZERS

ELECTRICAL REQUIREMENTS

- 8' cord NEMA plug see technical data
- UL/CUL listed
- 115V/208-230V
- 115V on GF22-V7 model

REFRIGERATION

- Top mounted condensing unit
- R404A expansion valve system
- Electronically controlled with audio alarm
- Automatic air defrost
- Electric condensate pan - (115V-separate plug)
- Remote available



Technical Data/Refrigerators

Model No. REFRIGERATORS	SC R	GR22 R-GR22	GR48 R-GR48	GR75 R-GR75	GR102 R-GR102
Length		26.5"	52.25"	78"	103.75"
Height w/ casters		83"	83"	83"	83"
Depth with drain cover handle (Dimensions are +/- 1/4")		34.75"	34.75"	34.75"	34.75"
Operating temperature		36°F to 40°F	36°F to 40°F	36°F to 40°F	36°F to 40°F
Refrigerant	SC	R134a	R134a	R134a	R134a
Expansion Valve	R	R404A	R404A	R404A	R404A
System type		Capillary tube	Capillary tube	Capillary tube	Expansion valve
Compressor size HP	SC	1/3	1/3	1/2	3/4
Refrigeration system		Electronic controlled	Electronic controlled	Electronic controlled	Electronic controlled
Defrost per day (24 hours)	Air Defrost	Electronic controlled	Electronic controlled	Electronic controlled	Electronic controlled
Defrost per day	R.	1 per day	1 per day	1 per day	1 per day
BTU's at +20°F Evap. Temp.	R	1300	1900	2600	3000
Voltage	SC	115	115	115	115/208-230
Amperage	SC	10.2	11.0	13.8	6.4/7.1
Voltage	R	115	115	115	115
Amperage, lights, fans	R	2.6	3.4	4.1	6.4
Cord and plug	SC	5-15P	5-15P	5-20P	L14-20P
	R	NO	NO	NO	NO
Drain electric condensate plug		115V	115V	115V	115V
Exterior color		W, B, S	W, B, S	W, B, S	W, B, S
Interior color		W, B, S	W, B, S	W, B, S	W, B, S
Door size		23.75 x 62.25	23.75 x 62.25	23.75 x 62.25	23.75 x 62.25
Total shelves		4	8	12	16
Shelf size		(4) 20.75" x 23"	(8) 22.75" x 23"	(8) 22.75" x 23" (4) 25" x 23"	(8) 22.75" x 23" (8) 25" x 23"
Cubic capacity		22	48	75	102
Shipping Info					
Height		86"	86"	86"	86"
Depth		44"	44"	44"	44"
Length		31"	58"	84"	109"
Gross weight SC/R		330/215	520/405	720/595	980/830
Cubic feet		68	127	184	228

(ALL WHITE OR ALL BLACK, NO EXTRA CHARGE—IF COLORS ARE MIXED AN ADDITIONAL CHARGE WILL APPLY)

Prefix

SC = Self Contained
R = Remote

Suffix

Standard White
B = Black
S = Stainless Steel
LED = LED lighting

- Cases are designed to operate at 75 degrees Fahrenheit and 55% relative humidity
- Specification subject to change without notice



Technical Data/Frozen Food Freezers

Model No. FREEZER FROZEN FOOD	SC R	GF22 R-GF22	GF48 R-GF48	GF75 R-GF75	GF102 R-GF102
Length		26.5"	52.25"	78"	103.75"
Height w/ casters		83"	83"	83"	83"
Depth with drain cover handle (Dimensions are +/- 1/4")		34.75"	34.75"	34.75"	34.75"
Operating temperature		-5°F to 5°F	-5°F to 5°F	-5°F to 5°F	-5°F to 5°F
Refrigerant	SC	R404A	R404A	R404A	R404A
Expansion Valve	R	R404A	R404A	R404A	R404A
System type		Expansion valve	Expansion valve	Expansion valve	Expansion valve
Compressor size HP	SC	1/2	3/4	1	(2) 3/4
Refrigeration system		Electronic controlled	Electronic controlled	Electronic controlled	Electronic controlled
Defrost per day (24 hours)	Air Defrost	Electronic controlled	Electronic controlled	Electronic controlled	Electronic controlled
Defrost per day	R.	3 per day	3 per day	3 per day	3 per day
BTU's at -15°F Evap. Temp.	R	2150	3480	4620	(2) 3480
Voltage	SC	115	115/208-230	115/208-230	115/208-230
Amperage	SC	16.0	16.0	16.0	16.0/16.0
Voltage	R	115	115/208-230	115/208-230	115/208-230
Amperage, lights, fans, defrost heaters	R	10.5	9.0	11.6	8.8/9.9
Cord and plug	SC R	5-20P NO	L14-20P NO	L14-20P NO	(2) L14-20P NO
Drain electric condensate plug		115V	115V	115V	115V
Exterior color		W, B, S	W, B, S	W, B, S	W, B, S
Interior color		W, B, S	W, B, S	W, B, S	W, B, S
Door size		23.75 x 62.25	23.75 x 62.25	23.75 x 62.25	23.75 x 62.25
Total shelves		4	8	12	16
Shelf size		(4) 20.75" x 23"	(8) 22.75" x 23"	(8) 22.75" x 23" (4) 25" x 23"	(8) 22.75" x 23" (8) 25" x 23"
Cubic capacity		22	48	75	102
Shipping Info					
Height		86"	86"	86"	86"
Depth		44"	44"	44"	44"
Length		31"	58"	84"	109"
Gross weight SC/R		390/Call for Info	590/Call for Info	790/Call for Info	1174/Call for Info
Cubic feet		68	127	184	228

(ALL WHITE OR ALL BLACK, NO EXTRA CHARGE—IF COLORS ARE MIXED AN ADDITIONAL CHARGE WILL APPLY)

Prefix

SC = Self Contained
R = Remote

Suffix

Standard White
B = Black
S =Stainless Steel
LED = LED lighting

- Cases are designed to operate at 75 degrees Fahrenheit and 55% relative humidity
- Cases are equipped with drains; check your local building codes for connection requirements.
- Specification subject to change without notice



Technical Data/Low Temp Freezers

Model No. FREEZER ICE CREAM	SC R	GF22-LT R-GF22-LT	GF48-LT R-GF48-LT	GF75-LT R-GF75-LT
Length		26.5"	52.25"	78"
Height w/ casters		83"	83"	83"
Depth with drain cover handle		34.75"	34.75"	34.75"
(Dimensions are +/- 1/4")				
Operating temperature		-15°F to -5°F+	-15°F to -5°F+	-15°F to -5°F+
Refrigerant	SC	R404A	R404A	R404A
Expansion Valve	R	R404A	R404A	R404A
System type		Expansion valve	Expansion valve	Expansion valve
Compressor size HP	SC	3/4	1-1/2	1-3/4
Refrigeration system		Electronic controlled	Electronic controlled	Electronic controlled
Defrost per day (24 hours)	Air Defrost	Electronic controlled	Electronic controlled	Electronic controlled
Defrost per day	R.	3 per day	3 per day	3 per day
BTU's at -35°F Evap. Temp.	R	2311	4019	6002
Voltage	SC	115/208-23	115/208-230	115/208-230
Amperage	SC	12.0	16.0	16.0
Voltage	R	115	115/208-230	115/208-230
Amperage, remote, lights, fans, defrost heaters	R	10.5	9.0	11.6
Cord and plug	SC R	L14-20P (V7) 5-20P NO	L14-20P NO	L14-20P NO
Drain electric condensate plug		115V	115V	115V
Exterior color		W, B, S	W, B, S	W, B, S
Interior color		W, B, S	W, B, S	W, B, S
Door size		23.75 x 62.25	23.75 x 62.25	23.75 x 62.25
Total shelves		4	8	12
Shelf size		(4) 20.75" x 23"	(8) 22.75" x 23"	(8) 22.75" x 23" (4) 25" x 23"
Cubic capacity		22	48	75
Shipping Info				
Height		86"	86"	86"
Depth		44"	44"	44"
Length		31"	58"	84"
Gross weight SC/R		390/Call for Info	590/Call for Info	790/Call for Info
Cubic feet		68	127	184

(ALL WHITE OR ALL BLACK, NO EXTRA CHARGE—IF COLORS ARE MIXED AN ADDITIONAL CHARGE WILL APPLY)

Prefix

SC = Self Contained
R = Remote

Suffix

Standard White
B = Black
S = Stainless Steel
LED = LED lighting

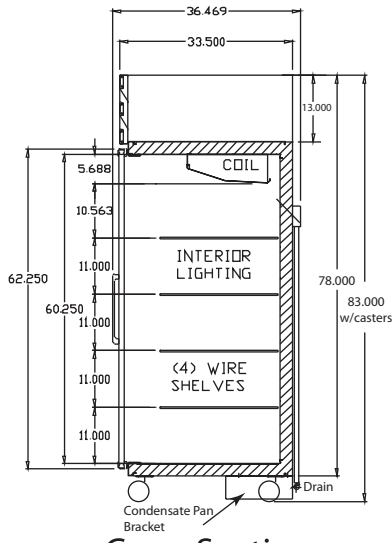
- Cases are designed to operate at 75 degrees Fahrenheit and 55% relative humidity
- Cases are equipped with drains; check your local building codes for connection requirements.
- Specification subject to change without notice



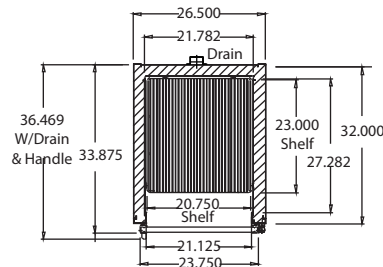
A Division of HMC Enterprises LLC • 831 East Cayuga St • Philadelphia, PA 19124 USA

(215) 464-6800 • 1-800-344-8222 • Fax (215) 969-4890 • E-Mail: sales@howardmccray.com • www.howardmccray.com

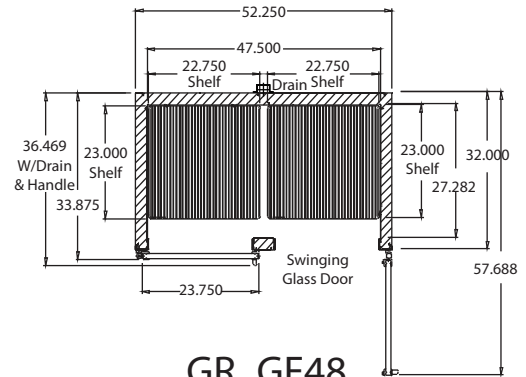
Technical Data • Side View • Plan View



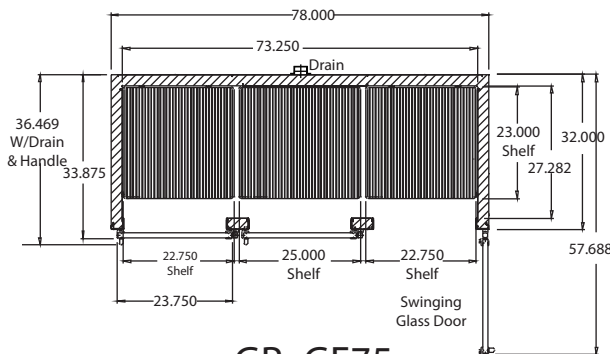
Cross Section



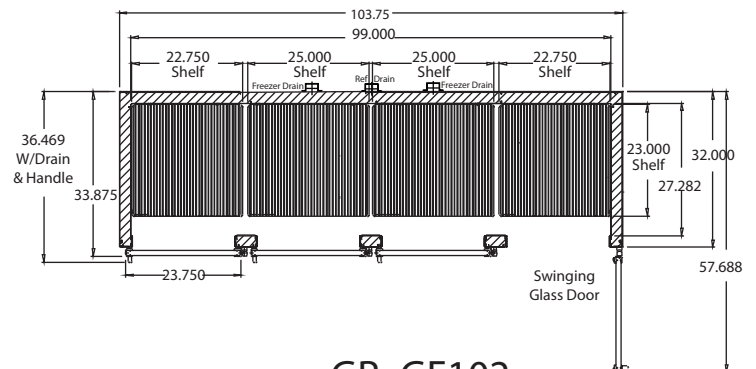
GR_GF22



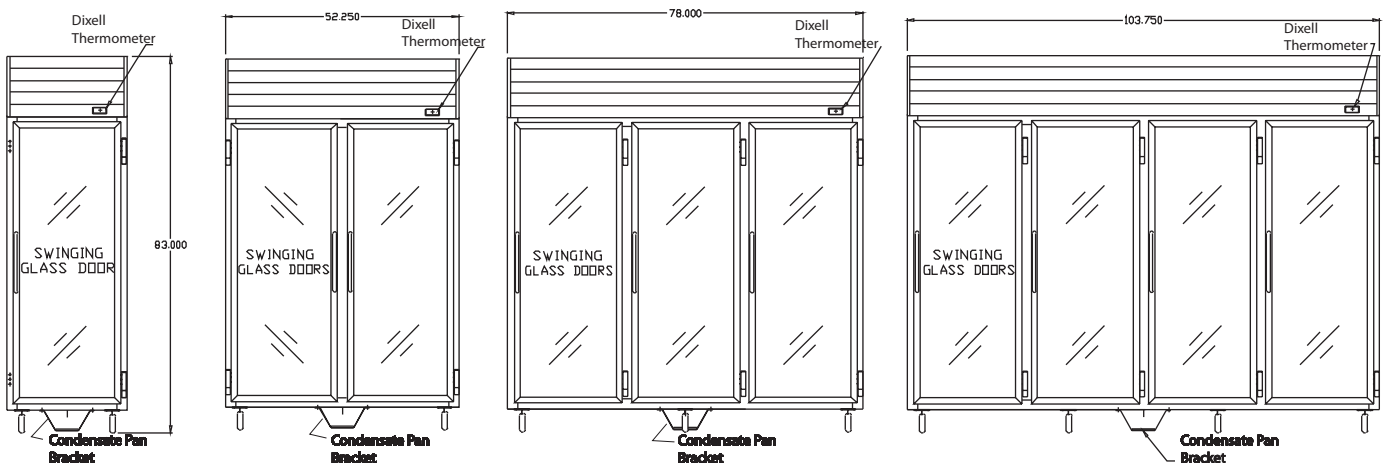
GR_GF48



GR_GF75



GR_GF102



Front View



1/2016