

Product Specification Sheet



Model No.	Description	Length	Depth	Height	Voltage	Amps	HP/BTUs	Power Cord	Est. Ship Weight
SC-M32E-3	Self Contained	38"	30"	72"	115	12	1/2	5-15P	700
SC-M32E-4	Self Contained	50"	30"	72"	115/208-230	11.3	34	L14-20P	700
SC-M32E-6	Self Contained	74"	30"	72"	115/208-230	13.1	1	L14-20P	965
R-M32E-3	Remote	38"	30"	72"	115	1.2	4200	NO	575
R-M32E-4	Remote	50"	30"	72"	115	1.2	5600	NO	575
R-M32E-6	Remote	74"	30"	72"	115	2.0	8400	NO	790
R-M32E-8	Remote	98"	30"	72"	115	2.6	11200	NO	1000
R-M32E-10	Remote	122"	30"	72"	115	7.0	14000	NO	1365
R-M32E-12	Remote	146"	30"	72"	115	8.0	16800	NO	1580

MODEL NUMBER SUFFIX - B = Black W = White SS = Stainless Steel
 • Cases are designed to operate at 75 degrees Fahrenheit and 55% relative humidity
 • Specification subject to change without notice



Standard Specifications and Optional Features

CONSTRUCTION

- UL Classified to ANSI/NSF 7
- Foamed in place CFC free foam
- Heavy gauge steel super structure
- Multi deck
- Endless design allows for continuous line up

INTERIOR

- White, black, or stainless steel end panels
- Removable white, black, or stainless steel floor pans
- White, black, or stainless steel perforated rear wall (for even air distribution)
- Full length lighting at top of unit
- 3 levels of lit shelving with product stop
- 4 levels of product display
- Stylish tag molding on each shelf

EXTERIOR

- White, black, or stainless steel ends and front
- White, black, or stainless steel color band
- Removeable front grill allows for cleaning and servicing
- 1" bumper
- Choice of end panels

FINISHES

- White, black, or stainless steel end panels
- White, black, or stainless steel front rail
- White, black, or stainless steel front color band
- White, black, or stainless steel end trim
- Laminate, and custom paints available
- Coated galvanized rear

Important Note:

All refrigerated cases are designed to operate in an environment of 75 degrees and 55% relative humidity. Product must be cooled before being displayed within the case.

DRAIN IS REQUIRED

LIGHTING

- 1 row at inside top of unit
- 3 rows of lighted shelving

ELECTRICAL REQUIREMENTS

- Unit comes with cord and plug
- UL/CUL listed
- See Tech page for details on voltage

REFRIGERATION

- R404A expansion valve system
- Low velocity fans located below deck area (to insure even flow of air)
- Electronic Control System with automatic air defrost to Maintain Balanced Temperatures
- New high efficiency air screen technology
- Self contained system
- Copeland hermetic unit
- Remotes available

OPTIONAL FEATURES

- LED lights
- Night covers
- Security cover
- Peg bars
- Electric condensate pan, with separate plug
- Insulated divider for line ups
- Plexiglas divider for line ups
- Colored bumper
- Stainless steel, laminated or paint
- Product stops on shelving
- 3 Different end panel choices
- Digital thermometer



Technical Data

Model No.	Remote or Self Contained			Remote Only			
	M32E-3-LS	M32E-4-LS	M32E-6-LS	M32E-8-LS	M32E-10-LS	M32E-12-LS	
Length with (2) ends	38"	50"	74"	98"	122"	146"	
Length without ends	36"	48"	72"	96"	119"	143"	
Height with ends	72"	72"	72"	72"	72"	72"	
Height without ends	71.5"	71.5"	71.5"	71.5"	71.5"	71.5"	
Depth with ends	30"	30"	30"	30"	30"	30"	
Depth without ends	29.5"	29.5"	29.5"	29.5"	29.5"	29.5"	
Endless design	YES	YES	YES	YES	YES	YES	
(Dimensions are +/- 1/4")							
Operating temperature		34°F to 38°F	34°F to 38°F	34°F to 38°F	34°F to 38°F	34°F to 38°F	34°F to 38°F
Refrigerant (exp. valve)	SC	R404A	R404A	R404A	R404A	R404A	R404A
Compressor size HP	SC	1/2	1/2	1			
Defrost per day (24 hours)	Air Defrost	3 @ 30 min.	3 @ 30 min.	3 @ 30 min.	3 @ 30 min.	3 @ 30 min.	3 @ 30 min.
BTU's at +20°F Evap. Temp.	R	4200	5600	8400	11200	14000	16800
Voltage	SC	115	115/208-230	115/208-230			
Amperage	SC	12	11.3	13.1			
Remote Voltage	R	115	115	115	115	115	115
Amperage, lights only	R	3	3	5.6	6.2		
Cord and plug	SC	5-15P	5-20P	L14-20P			
	R	NO	NO	NO	NO	NO	NO
Exterior color		W, B, SS	W, B, SS	W, B, SS	W, B, SS	W, B, SS	W, B, SS
Interior color		W, B, SS	W, B, SS	W, B, SS	W, B, SS	W, B, SS	W, B, SS
# of rows / shelves		3 / 3	3 / 3	3 / 6	3 / 6	3 / 6	3 / 6
Shelf size depth		(1) 12.5" (2) 14.5"	(1) 12.5" (2) 14.5"	(1) 12.5" (2) 14.5"	(1) 12.5" (2) 14.5"	(1) 12.5" (2) 14.5"	(1) 12.5" (2) 14.5"
Shipping Info							
Height		76"	76"	76"	76"	76"	76"
Depth		44"	44"	44"	44"	44"	44"
Length		X"	61"	87"	109"	132"	157"
Gross weight SC/R		700/575	700/575	965/790	1000	1365	1580
Cubic feet		X	116	164	206	Call for Info	Call for Info

(ALL WHITE OR ALL BLACK, NO EXTRA CHARGE—IF COLORS ARE MIXED AN ADDITIONAL CHARGE WILL APPLY)

Prefix

SC = Self Contained
R = Remote

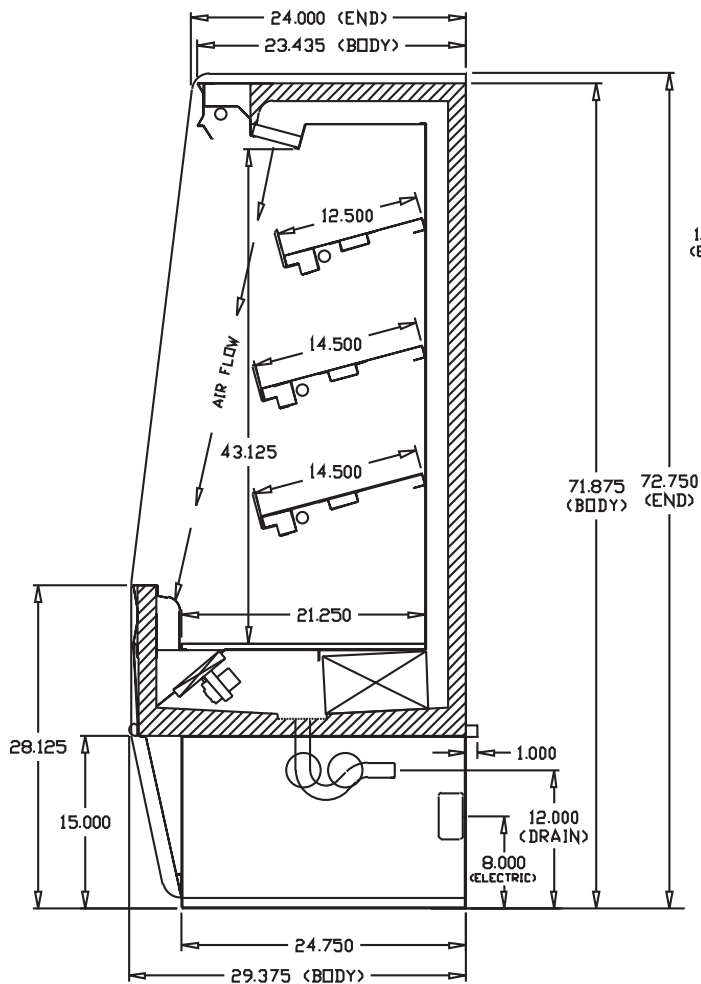
Suffix

B = Black
W = White
SS = Stainless Steel
LS = T8 lighting
LED = LED lighting

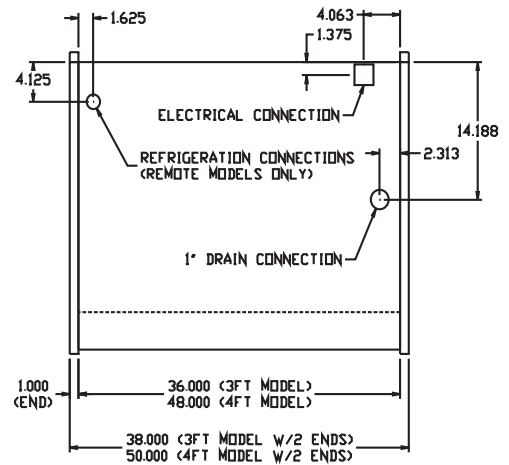
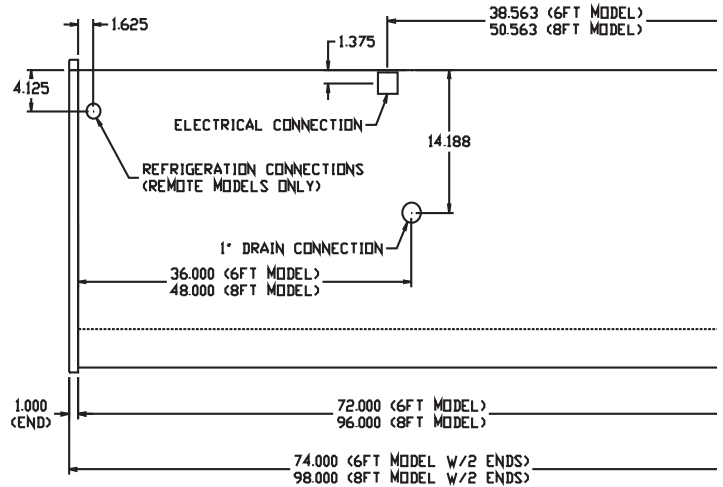
- Cases are designed to operate at 75 degrees Fahrenheit and 55% relative humidity
- Cases are equipped with drains; check your local building codes for connection requirements.
- Specification subject to change without notice



Technical Data • Side View • Plan View



Cross Section



Plan View

