

### Product Specifications Sheets



Model No.	Description	Length	Depth	Height	Voltage	Amps	HP/BTUs	Power Cord	Est. Ship Weight
<b>SC-OD35E-3-LED-LC</b>	Self Contained	39"	34.5"	82.25"	115	14	1/2	5-20P	710
<b>SC-OD35E-4-LED-LC</b>	Self Contained	51"	34.5"	82.25"	115/208-230	13	3/4	L14-20P	975
<b>SC-OD35E-5-LED-LC</b>	Self Contained	63"	34.5"	82.25"	115/208-230	13	1	L14-20P	975
<b>SC-OD35E-6-LED-LC</b>	Self Contained	75"	34.5"	82.25"	115/208-230	16	1	L14-20P	1185
<b>R-OD35E-3-LED-LC</b>	Remote	39"	34.5"	82.25"	115	2	4906	No	575
<b>R-OD35E-4-LED-LC</b>	Remote	51"	34.5"	82.25"	115	3	6542	No	790
<b>R-OD35E-5-LED-LC</b>	Remote	63"	34.5"	82.25"	115	3	6542	No	790
<b>R-OD35E-6-LED-LC</b>	Remote	75"	34.5"	82.25"	115	4	9813	No	1000

MODEL NUMBER SUFFIX - B = Black W = White SS = Stainless Steel  
 • Cases are designed to operate at 75 degrees Fahrenheit and 55% relative humidity  
 • Specification subject to change without notice



## Standard Specifications and Optional Features

### CONSTRUCTION

- UL Classified to ANSI/NSF 7
- Foamed in place CFC free foam
- Heavy gauge steel super structure
- Multi deck
- Endless design allows for continuous line up

### INTERIOR

- White, black, or stainless steel end panels
- Removable white, black, or stainless steel floor pans
- White, black, or stainless steel perforated rear wall (for even air distribution)
- Full length lighting at top of unit
- 4 levels of lighted shelving
- 5 levels of product display
- Stylish price tag molding on each shelf

### EXTERIOR

- White, black, or stainless steel ends and front
- Removeable front grill allows for cleaning and servicing
- 1” bumper
- Choice of end panels

### FINISHES

- White, black, or stainless steel end panels
- White, black, or stainless steel front rail
- White, black, or stainless steel end trim
- Laminate, and custom paints available
- Coated galvanized rear

### LIGHTING

- 1 row at inside top of unit
- 4 rows of lighted shelving
- Lit Canopy

### ELECTRICAL REQUIREMENTS

- Self contained unit comes with cord and plug
- UL/CUL listed
- See Tech page for details on voltage

### REFRIGERATION

- R404A expansion valve system
- Low velocity fans located below deck area (to insure even flow of air)
- Electronic Control System with automatic air defrost to maintain balanced temperatures
- New high efficiency air screen technology
- Self contained system
- Copeland hermetic unit
- Remotes available

### OPTIONAL FEATURES

- Solid state lighting
- Night covers
- Security cover
- Peg bars
- Electric condensate pan, with separate plug
- Insulated divider for line ups
- Plexiglas divider for line ups
- Stainless steel, laminated or paint
- Product stops on shelving
- 3 different end panel choices
- Digital thermometer

### **Important Note:**

**All refrigerated cases are designed to operate in an environment of 75 degrees and 55% relative humidity. Product must be cooled before being displayed within the case.**

**DRAIN IS REQUIRED**



**Technical Data**

Model No.	SC R	SC-OD35E-3L-LED-LC R-OD35E-3L-LED-LC	SC-OD35E-4L-LED-LC R-OD35E-4L-LED-LC	SC-OD35E-6L-LED-LC R-OD35E-6L-LED-LC	SC-OD35E-6L-LED-LC R-OD35E-6L-LED-LC
Length with (2) ends		39"	51"	63"	75"
Length without ends		36"	48"	60"	72"
Height with ends		82.25"	82.25"	82.25"	82.25"
Height without ends		82"	82"	82"	82"
Depth with ends		34.5"	34.5"	34.5"	34.5"
Depth without ends		34"	34"	34"	34"
Endless design		YES	YES	YES	YES
(Dimensions are +/- 1/4")					
Operating temperature		36°F to 40°F	36°F to 40°F	36°F to 40°F	36°F to 40°F
Refrigerant (expansion valve)	SC	R404A	R404A	R404A	R404A
Compressor size HP	SC	1/2	3/4	1	1
BTU's at +20°F Evap. Temp.	R	4906	6542	Call for Info	9813
Voltage	SC	115	115	115	115
Amperage	SC	14	13	16	16
Remote Voltage	R	115	115 / 208-230	115 / 208-230	115 / 208-230
Amperage, lights only	R	2	3	Call for Info	4
Cord and plug	SC	5-15P	L14-20P	L14-20P	L14-20P
	R	N/A	N/A	N/A	N/A
Exterior color		W, B, SS	W, B, SS	W, B, SS	W, B, SS
Interior color		W, B, SS	W, B, SS	W, B, SS	W, B, SS
# of rows / shelves		4/4	4/4	W, B, SS	4/8
Shelf Size		(4) 18"	(4) 18"	(4) 18"	(8) 18"
<b>Shipping Info</b>					
Height		86"	86"	86"	86"
Depth		44"	44"	44"	44"
Length		61"	61"	61"	86"
Gross weight (SC/R)		710/Call for Info	975/Call for Info	1185/Call for Info	1185/Call for Info
Cubic feet		100	100		142

(ALL WHITE OR ALL BLACK, NO EXTRA CHARGE—IF COLORS ARE MIXED AN ADDITIONAL CHARGE WILL APPLY)

**Prefix**

SC = Self Contained  
R = Remote

**Suffix**

B = Black  
SS = Stainless Steel  
LS = T8 lighting  
LED = Solid state lighting

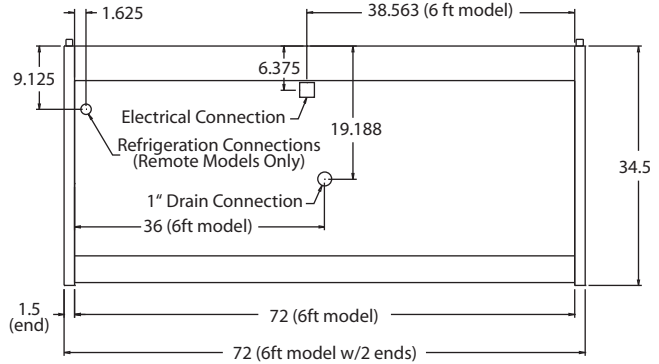
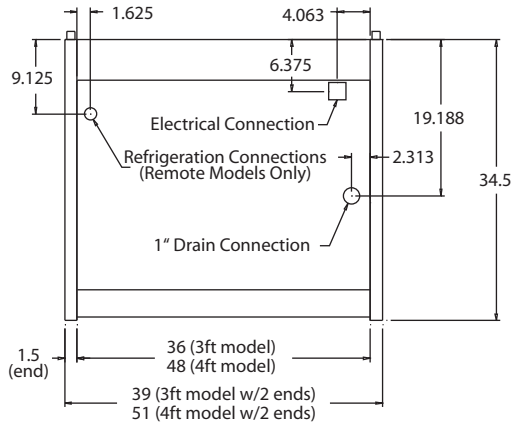
- Cases are designed to operate at 75 degrees Fahrenheit and 55% relative humidity
- Cases are equipped with drains; check your local building codes for connection requirements.
- Specification subject to change without notice



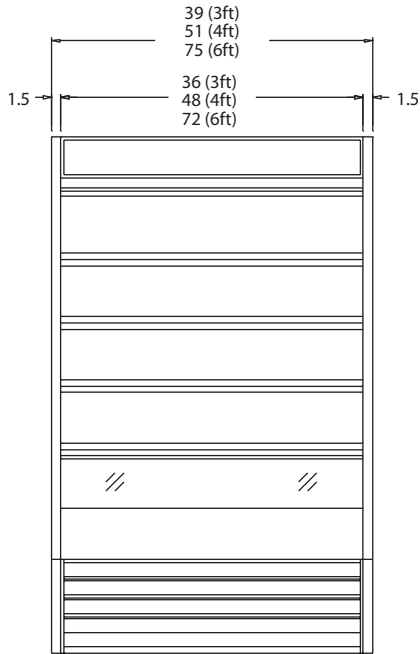
A Division of HMC Enterprises LLC • 831 East Cayuga St • Philadelphia, PA 19124 USA

(215) 464-6800 • 1-800-344-8222 • Fax (215) 969-4890 • E-Mail: sales@howardmccray.com • www.howardmccray.com

**Technical Data • Side View • Plan View**



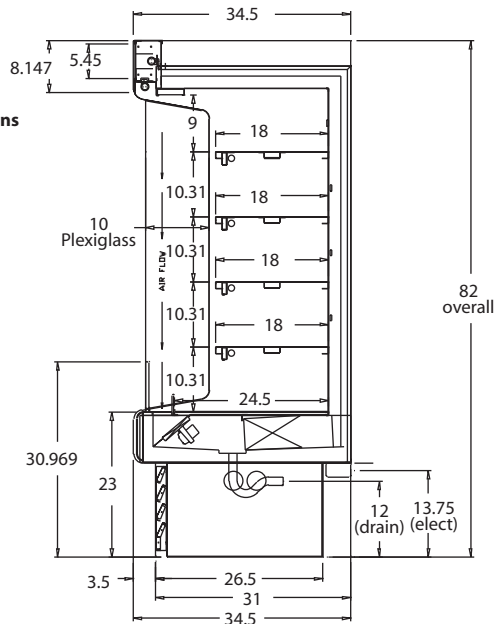
**FLOOR PLANS**



**FRONT VIEW**

**Cabinet Overall Dimensions**

- Height - 82
- Depth - 34.5
- Length - 3ft, 4ft, 6ft
- 4 - 18" shelves
- Removeable rear spacer for air venting
- Lighted Canopy - Display
- Front Grille Straight
- Standard Bench Assembly



**SIDE VIEW**

