

### Product Specifications Sheets



| Model No.             | Description    | Length | Depth | Height | Voltage     | Amps | HP/BTUs | Power Cord | Est. Ship Weight |
|-----------------------|----------------|--------|-------|--------|-------------|------|---------|------------|------------------|
| <b>SC-OD35E-3S-LS</b> | Self Contained | 39"    | 34.5" | 78.5"  | 115         | 16   | 1/2     | 5-20P      | 700              |
| <b>SC-OD35E-4S-LS</b> | Self Contained | 51"    | 34.5" | 78.5"  | 115/208-230 | 13   | 3/4     | L14-20P    | 965              |
| <b>SC-OD35E-5S-LS</b> | Self Contained | 63"    | 34.5" | 78.5"  | 115/208-230 | 16   | 1       | L14-20P    | 1125             |
| <b>SC-OD35E-6S-LS</b> | Self Contained | 75"    | 34.5" | 78.5"  | 115/208-230 | 16   | 1       | L14-20P    | 1175             |
| <b>R-OD35E-3S-LS</b>  | Remote         | 39"    | 34.5" | 78.5"  | 115         | 2    | 4906    | No         | 575              |
| <b>R-OD35E-4S-LS</b>  | Remote         | 51"    | 34.5" | 78.5"  | 115         | 3    | 6542    | No         | 790              |
| <b>R-OD35E-5S-LS</b>  | Remote         | 63"    | 34.5" | 78.5"  | 115         | 4    | 8170    | No         | 915              |
| <b>R-OD35E-6S-LS</b>  | Remote         | 75"    | 34.5" | 78.5"  | 115         | 4    | 9813    | No         | 1000             |
| <b>R-OD35E-8S-LS</b>  | Remote         | 99"    | 36.5" | 78.5"  | 115         | 6    | 13084   | No         | 1580             |
| <b>R-OD35E-10S-LS</b> | Remote         | 123"   | 36.5" | 78.5"  | 115         | 7    | 16355   | No         | 1790             |
| <b>R-OD35E-12S-LS</b> | Remote         | 147"   | 36.5" | 78.5"  | 115         | 8    | 19626   | No         | 2000             |

MODEL NUMBER SUFFIX - B = Black W = White SS = Stainless Steel  
 • Cases are designed to operate at 75 degrees Fahrenheit and 55% relative humidity  
 • Specification subject to change without notice



## Standard Specifications and Optional Features

### CONSTRUCTION

- UL Classified to ANSI/NSF 7
- Foamed in place CFC free foam
- Heavy gauge steel super structure
- Multi deck
- Endless design allows for continuous line up

### INTERIOR

- White, black, or stainless steel end panels
- Removable white, black, or stainless steel floor pans
- White, black, or stainless steel perforated rear wall (for even air distribution)
- Full length lighting at top of unit
- 4 levels of lighted shelving
- 5 levels of product display
- Stylish price tag molding on each shelf

### EXTERIOR

- White, black, or stainless steel ends and front
- Removeable front grill allows for cleaning and servicing
- 1" bumper
- Choice of end panels

### FINISHES

- White, black, or stainless steel end panels
- White, black, or stainless steel front rail
- White, black, or stainless steel end trim
- Laminate, and custom paints available
- Coated galvanized rear

### LIGHTING

- 1 row at inside top of unit
- 4 rows of lighted shelving

### ELECTRICAL REQUIREMENTS

- Self contained unit comes with cord and plug
- UL/CUL listed
- See Tech page for details on voltage

### REFRIGERATION

- R404A expansion valve system
- Low velocity fans located below deck area (to insure even flow of air)
- Electronic Control System with automatic air defrost to maintain balanced temperatures
- New high efficiency air screen technology
- Self contained system
- Copeland hermetic unit
- Remotes available

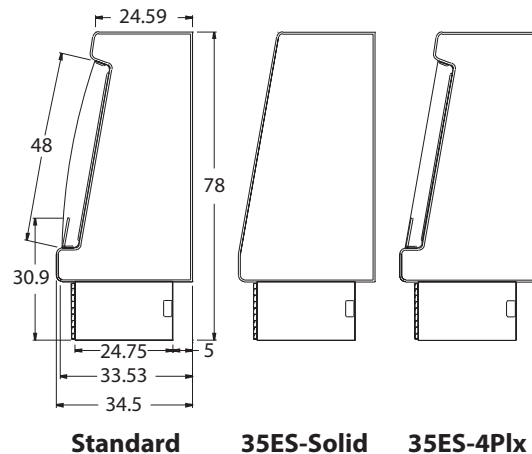
### OPTIONAL FEATURES

- Solid state lighting
- Night covers
- Security cover
- Peg bars
- Electric condensate pan, with separate plug
- Insulated divider for line ups
- Plexiglas divider for line ups
- Colored bumper
- Stainless steel, laminated or paint
- Product stops on shelving
- Choice of end panels
- Digital thermometer

### Important Note:

**All refrigerated cases are designed to operate in an environment of 75 degrees and 55% relative humidity. Product must be cooled before being displayed within the case.**

### DRAIN IS REQUIRED



### Technical Data

| Model No.                     | SC<br>R     | SC-OD35E-3S-LS<br>R-OD35E-3S-LS | SC-OD35E-4S-LS<br>R-OD35E-4S-LS | SC-OD35E-5S-LS<br>R-OD35E-5S-LS | SC-OD35E-6S-LS<br>R-OD35E-6S-LS | R-OD35E-8S-LS | R-OD35E-10S-LS | R-OD35E-12S-LS |
|-------------------------------|-------------|---------------------------------|---------------------------------|---------------------------------|---------------------------------|---------------|----------------|----------------|
| Length with (2) ends          |             | 39"                             | 51"                             | 63"                             | 75"                             | 99"           | 123"           | 147"           |
| Length without ends           |             | 36"                             | 48"                             | 60"                             | 72"                             | 96"           | 120"           | 144"           |
| Height with ends              |             | 60"                             | 60"                             | 60"                             | 60"                             | 60"           | 60"            | 60"            |
| Height without ends           |             | 59.5"                           | 59.5"                           | 59.5"                           | 59.5"                           | 59.5"         | 59.5"          | 59.5"          |
| Depth with ends               |             | 34.5"                           | 34.5"                           | 34.5"                           | 34.5"                           | 36.5"         | 36.5"          | 36.5"          |
| Depth without ends            |             | 34"                             | 34"                             | 34"                             | 34"                             | 34"           | 34"            | 34"            |
| Endless design                |             | YES                             | YES                             | YES                             | YES                             | YES           | YES            | YES            |
| (Dimensions are +/- 1/4")     |             |                                 |                                 |                                 |                                 |               |                |                |
| Operating temperature         |             | 34°F to 38°F                    | 34°F to 38°F                    | 34°F to 38°F                    | 34°F to 38°F                    | 34°F to 38°F  | 34°F to 38°F   | 34°F to 38°F   |
| Refrigerant (expansion valve) | SC          | R404A                           | R404A                           | R404A                           | R404A                           | R404A         | R404A          | R404A          |
| Compressor size HP            | SC          | 1/2                             | 1/2                             | 3/4                             | 3/4                             | 3/4           | 3/4            | 3/4            |
| Defrost per day (24 hours)    | Air Defrost | 3 @ 30 min.                     | 3 @ 30 min.                     | 3 @ 30 min.                     | 3 @ 30 min.                     | 3 @ 30 min.   | 3 @ 30 min.    | 3 @ 30 min.    |
| BTU's at +20°F Evap. Temp.    | R           | 4906                            | 6542                            | 8170                            | 9813                            | 13084         | 16355          | 19626          |
| Voltage                       | SC          | 115                             | 115                             | 115/208-230                     | 115/208-230                     |               |                |                |
| Amperage                      | SC          | 16.0                            | 13.0                            | 16.0                            | 16.0                            |               |                |                |
| Remote Voltage                | R           | 115                             | 115                             | 115                             | 115                             | 115           | 115            | 115            |
| Amperage, lights only         | R           | 2.0                             | 3.0                             | 4.0                             | 4.0                             | 6.0           | 7.0            | 8.0            |
| Cord and plug                 | SC          | 5-15P                           | 5-15P                           | L14-20P                         | L14-20P                         |               |                |                |
|                               | R           | NO                              | NO                              | NO                              | NO                              | NO            | NO             | NO             |
| Exterior color                |             | W, B, SS                        | W, B, SS                        | W, B, SS                        | W, B, SS                        | W, B, SS      | W, B, SS       | W, B, SS       |
| Interior color                |             | W, B, SS                        | W, B, SS                        | W, B, SS                        | W, B, SS                        | W, B, SS      | W, B, SS       | W, B, SS       |
| # of rows / shelves           |             | 1/1                             | 1/1                             | 1/2                             | 1/2                             | Call for Info | Call for Info  | Call for Info  |
| Shelf Size                    |             | (1) 16"                         | (1) 16"                         | (2) 16"                         | (2) 16"                         | Call for Info | Call for Info  | Call for Info  |
| Shipping Info                 |             |                                 |                                 |                                 |                                 |               |                |                |
| Height                        |             | 65"                             | 65"                             | 65"                             | 65"                             | 65"           | 65"            | 65"            |
| Depth                         |             | 44"                             | 44"                             | 44"                             | 44"                             | 44"           | 44"            | 44"            |
| Length                        |             | 61"                             | 61"                             | Call for Info                   | 86"                             | Call for Info | Call for Info  | Call for Info  |
| Gross weight (SC/R)           |             | 700/575                         | 965/790                         | 1070/895                        | 1175/1000                       | 1580          | 1790           | 2000           |
| Cubic feet                    |             | 100                             | 100                             | Call for Info                   | 142                             | Call for Info | Call for Info  | Call for Info  |

**(ALL WHITE OR ALL BLACK, NO EXTRA CHARGE—IF COLORS ARE MIXED AN ADDITIONAL CHARGE WILL APPLY)**

**Prefix**

SC = Self Contained  
R = Remote

**Suffix**

B = Black  
S = Stainless Steel  
LS = T8 lighting  
LED = Solid state lighting

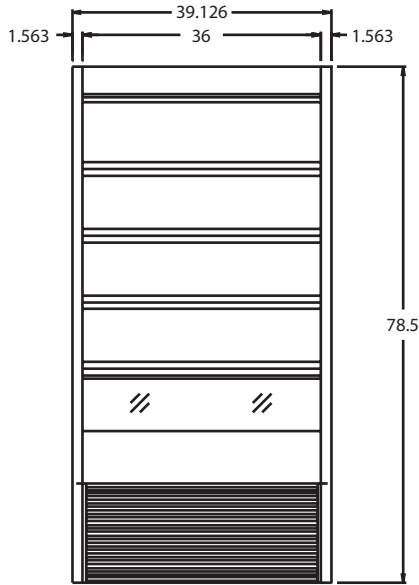
- Cases are designed to operate at 75 degrees Fahrenheit and 55% relative humidity
- Cases are equipped with drains; check your local building codes for connection requirements.
- Specification subject to change without notice



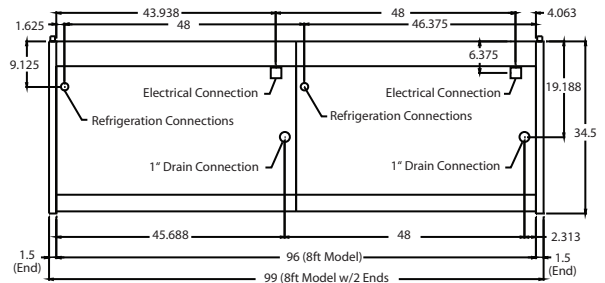
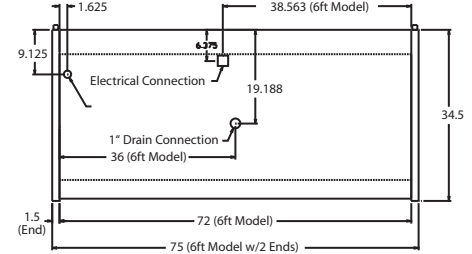
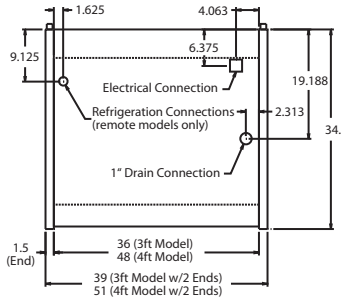
**A Division of HMC Enterprises LLC • 831 East Cayuga St • Philadelphia, PA 19124 USA**

**(215) 464-6800 • 1-800-344-8222 • Fax (215) 969-4890 • E-Mail: sales@howardmccray.com • www.howardmccray.com**

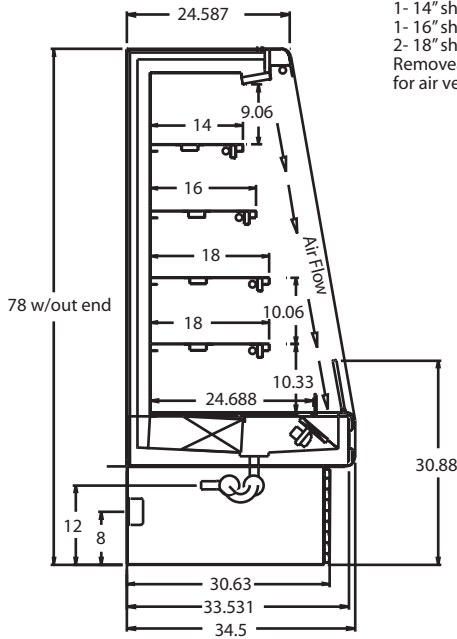
**Technical Data • Side View • Plan View**



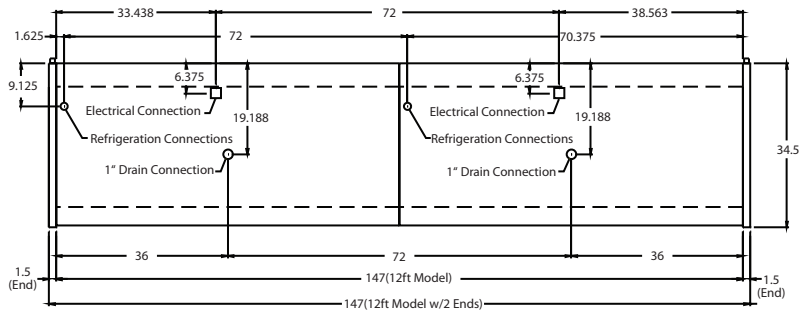
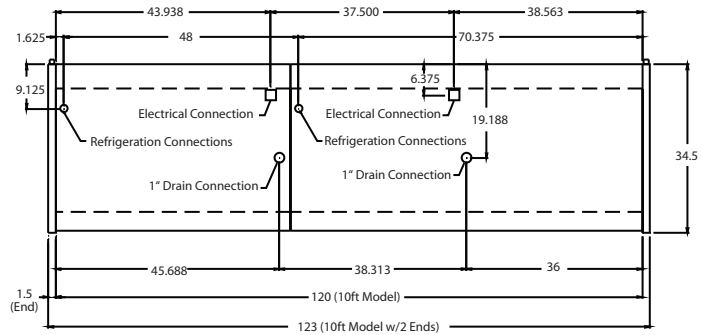
**FRONT VIEW  
3 FT MODEL**



**Cabinet Overall Dims.**  
Height - 78.5  
Depth - 34.5 Body  
Length - 3ft, 4ft, 6ft  
1- 14" shelves  
1- 16" shelves  
2- 18" shelves  
Removable rear spacer  
for air venting



**SIDE VIEW**



**FLOOR PLANS**

