

Product Specifications Sheets



Model No.	Description	Length	Depth	Height	Voltage	Amps	HP/BTUs	Power Cord	Est. Ship Weight
SC-OM35E-3S-LS	Self Contained	39"	34.5"	78.5"	115	16	1/2	5-20P	700
SC-OM35E-4S-LS	Self Contained	51"	34.5"	78.5"	115/208-230	13	3/4	L14-20P	965
SC-OM35E-6S-LS	Self Contained	75"	34.5"	78.5"	115/208-230	16	1	L14-20P	1175
R-OM35E-3S-LS	Remote	39"	34.5"	78.5"	115	2	4750	No	575
R-OM35E-4S-LS	Remote	51"	34.5"	78.5"	115	3	7080	No	790
R-OM35E-6S-LS	Remote	75"	34.5"	78.5"	115	4	9400	No	1000
R-OM35E-8S-LS	Remote	99"	34.5"	78.5"	115	6	13084	No	1580
R-OM35E-10S-LS	Remote	123"	34.5"	78.5"	115	8.6	16355	No	1790
R-OM35E-12S-LS	Remote	147"	34.5"	78.5"	115	11.2	19626	No	2000

MODEL NUMBER SUFFIX - B = Black W = White SS = Stainless Steel

- Cases are designed to operate at 75 degrees Fahrenheit and 55% relative humidity
- Specification subject to change without notice



Standard Specifications and Optional Features

CONSTRUCTION

- UL Classified to ANSI/NSF 7
- Foamed in place CFC free foam
- Heavy gauge steel super structure
- Multi deck
- Endless design allows for continuous line up

INTERIOR

- White, black, or stainless steel end panels
- Removable white, black, or stainless steel floor pans
- White, black, or stainless steel perforated rear wall (for even air distribution)
- Full length lighting at top of unit
- 4 levels of lit shelving
- 5 levels of product display
- Stylish price tag molding on each shelf

EXTERIOR

- White, black, or stainless steel ends and front
- Removeable front grill allows for cleaning and servicing
- 1" bumper
- Choice of end panels

FINISHES

- White, black, or stainless steel end panels
- White, black, or stainless steel front rail
- White, black, or stainless steel end trim
- Laminate, and custom paints available
- Coated galvanized rear

LIGHTING

- 1 row at inside top of unit
- 4 rows of lighted shelving

ELECTRICAL REQUIREMENTS

- Unit comes with cord and plug
- UL/CUL listed
- See Tech page for details on voltage

REFRIGERATION

- R404A expansion valve system
- Low velocity fans located below deck area (to insure even flow of air)
- Electronic Control System with automatic air defrost to Maintain Balanced Temperatures
- New high efficiency air screen technology
- Self contained system
- Copeland hermetic unit
- Remotes available

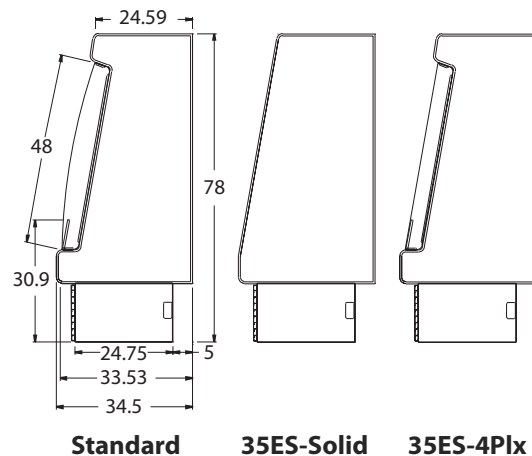
OPTIONAL FEATURES

- LED lights
- Night covers
- Security cover
- Peg bars
- Electric condensate pan, with separate plug
- Insulated divider for line ups
- Plexiglas divider for line ups
- Stainless steel, laminated or paint
- Product stops on shelving
- 3 different end panel choices
- Digital thermometer

Important Note:

All refrigerated cases are designed to operate in an environment of 75 degrees and 55% relative humidity. Product must be cooled before being displayed within the case.

DRAIN IS REQUIRED



Technical Data

Model No.	Remote or Self Contained			Remote Only			
	OM35E-3S-LS	OM35E-4S-LS	OM35E-6S-LS	OM35E-8S-LS	OM35E-10S-LS	OM35E-12S-LS	
Length with (2) ends	39"	51"	75"	99"	123"	147"	
Length without ends	36"	48"	72"	96"	120"	143"	
Height with ends	78.5"	78.5"	78.5"	78.5"	78.5"	78.5"	
Height without ends	78"	78"	78"	78"	78"	78"	
Depth with ends	35"	35"	35"	35"	35"	35"	
Depth without ends	34.5"	34.5"	34.5"	34.5"	34.5"	34.5"	
Endless design	YES	YES	YES	YES	YES	YES	
(Dimensions are +/- 1/4")							
Operating temperature		34°F to 38°F	34°F to 38°F	34°F to 38°F	34°F to 38°F	34°F to 38°F	34°F to 38°F
Refrigerant (exp. valve)	SC	R404A	R404A	R404A	R404A	R404A	R404A
Compressor size HP	SC	1/2	3/4	1			
Defrost per day (24 hours)	Air Defrost	3 @ 30 min.	3 @ 30 min.	3 @ 30 min.	3 @ 30 min.	3 @ 30 min.	3 @ 30 min.
BTU's at +20°F Evap. Temp.	R	4750	7080	9400	13084	16355	19626
Voltage	SC	115	115/208-230	115/208-230			
Amperage	SC	14	13	16			
Remote Voltage	R	115	115	115	115	115	115
Amperage, lights only	R	2	3	4	6	8.6	11.2
Cord and plug	SC	5-20P	L14-20P	L14-20P			
	R	NO	NO	NO	NO	NO	NO
Exterior color		W, B, SS	W, B, SS	W, B, SS	W, B, SS	W, B, SS	W, B, SS
Interior color		W, B, SS	W, B, SS	W, B, SS	W, B, SS	W, B, SS	W, B, SS
# of rows / shelves		4 / 4	4 / 4	4 / 8	4 / 8	4 / 12	4 / 16
Shelf size depth		(1) 14" (1) 16" (2) 18"	(1) 14" (1) 16" (2) 18"	(2) 14" (2) 16" (4) 18"	(2) 14" (2) 16" (4) 18"	(3) 14" (3) 16" (6) 18"	(4) 14" (4) 16" (8) 18"
Shipping Info							
Height		86"	86"	86"	86"	86"	86"
Depth		44"	44"	44"	44"	44"	44"
Length		61"	61"	86"	109"	135"	157"
Gross weight SC/R		700/575	965/790	1175/1000	x/1580	x/1790	x/2000
Cubic feet		130	130	184	233	288	336

(ALL WHITE OR ALL BLACK, NO EXTRA CHARGE—IF COLORS ARE MIXED AN ADDITIONAL CHARGE WILL APPLY)

Prefix

SC = Self Contained
R = Remote

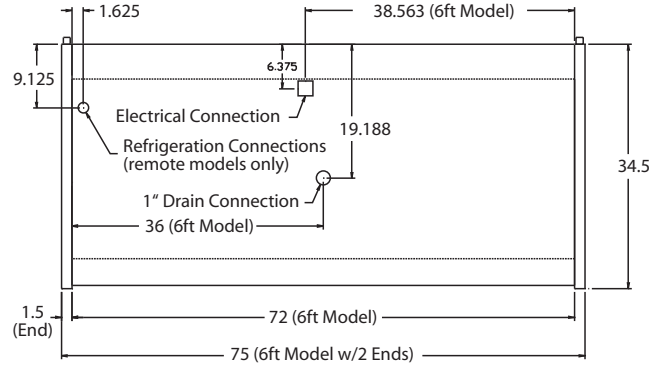
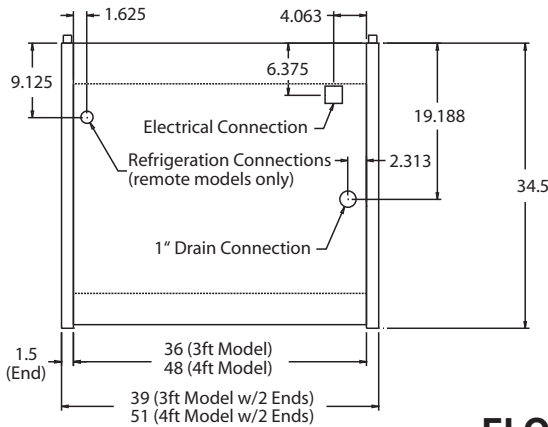
Suffix

B = Black
W = White
SS = Stainless Steel
LS = T8 lighting
LED = LED lighting

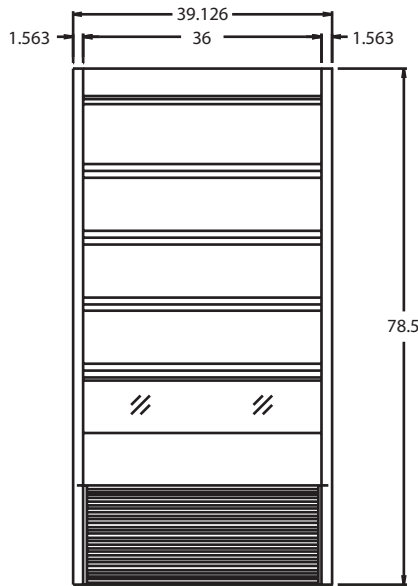
- Cases are designed to operate at 75 degrees Fahrenheit and 55% relative humidity
- Cases are equipped with drains; check your local building codes for connection requirements.
- Specification subject to change without notice



Technical Data • Side View • Plan View

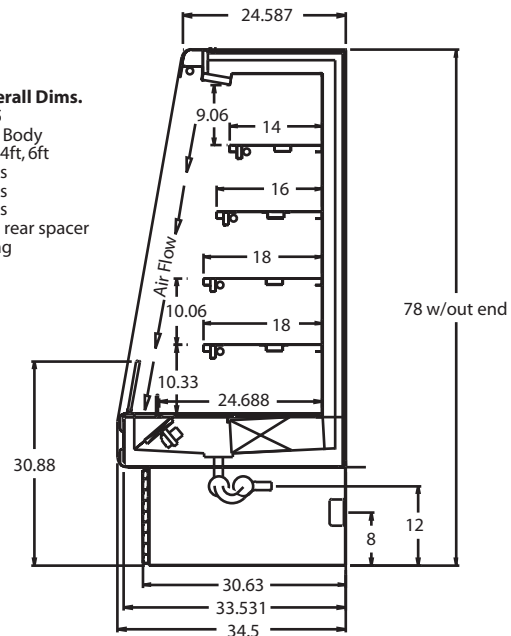


FLOOR PLANS



**FRONT VIEW
3 FT MODEL**

Cabinet Overall Dims.
Height - 78.5
Depth - 34.5 Body
Length - 3ft, 4ft, 6ft
1- 14" shelves
1- 16" shelves
2- 18" shelves
Removeable rear spacer
for air venting



SIDE VIEW

