

Product Specifications Sheets



Model No.	Description	Depth	Length	Voltage	Amps	HP/ BTUs	Power Cord	Est. Ship Wt
SC-OS30E-3C	Self contained Curved Plexi	30"	39"	115	12.0	1/2	5-15P	445
SC-OS30E-4C	Self contained Curved Plexi	30"	51"	115	13.1	1/2	5-20P	475
SC-OS30E-5C	Self contained Curved Plexi	30"	63"	115	16.0	3/4	5-20P	500
SC-OS30E-6C	Self contained Curved Plexi	30"	75"	115	16.0	3/4	5-20P	525
SC-OS30E-3	Self contained Straight Plexi	30"	39"	115	12.0	1/2	5-15P	445
SC-OS30E-4	Self contained Straight Plexi	30"	51"	115	13.1	1/2	5-20P	475
SC-OS30E-5	Self contained Straight Plexi	30"	63"	115	16.0	3/4	5-20P	500
SC-OS30E-6	Self contained Straight Plexi	30"	75.00"	115	16.0	3/4	5-20P	525
R-OS30E-3C	Remote Curved Plexi	30"	39"	115	0.7	3100	NO	401
R-OS30E-4C	Remote Curved Plexi	30"	51"	115	1.4	4133	NO	428
R-OS30E-5C	Remote Curved Plexi	30"	63"	115	1.4	5165	NO	450
R-OS30E-6C	Remote Curved Plexi	30"	75"	115	1.4	6200	NO	473
R-OS30E-3	Remote Straight Plexi	30"	39"	115	0.7	3100	NO	401
R-OS30E-4	Remote Straight Plexi	30"	51"	115	1.4	4133	NO	428
R-OS30E-5	Remote Straight Plexi	30"	63"	115	1.4	5165	NO	450
R-OS30E-6	Remote Straight Plexi	30"	75"	115	1.4	6200	NO	473

Prefix

SC = Self Contained
R = Remote

Suffix

B = Black
W = White
SS = Stainless Steel
LS = T8 lighting
LED = LED lighting

- Cases are designed to operate at 75 degrees Fahrenheit and 55% relative humidity
- Cases are equipped with drains; check your local building codes for connection requirements.
- Specification subject to change without notice



A Division of HMC Enterprises LLC • 831 East Cayuga St • Philadelphia, PA 19124 USA

(215) 464-6800 • 1-800-344-8222 • Fax (215) 969-4890 • E-Mail: sales@howardmccray.com • www.howardmccray.com

Standard Specifications and Optional Features

CONSTRUCTION

- UL Classified to ANSI/NSF 7
- Foamed in place CFC free foam
- Heavy gauge steel super structure
- Multi deck
- Endless design allows for continuous line up

INTERIOR

- White, black, or stainless steel end panels
- Removable white, black, or stainless steel floor pans
- White, black, or stainless steel perforated rear wall (for even air distribution)
- Step shelves
- Electric condensate pan

EXTERIOR

- White, black, or stainless steel ends and front
- White, black, or stainless steel color band
- Removeable front grill allows for cleaning and servicing
- 1" bumper
- Choice of end panels Curved or Straight plexi

FINISHES

- White, black, or stainless steel end panels
- White, black, or stainless steel front rail
- White, black, or stainless steel front color band
- White, black, or stainless steel end trim
- Laminate, and custom paints available

ELECTRICAL REQUIREMENTS

- Cord and Plug
- 3' 115V, 5-15P,
- 4'-6' 115V, 5-20P,
- See Tech page for details on voltage

REFRIGERATION

- R404A expansion valve system
- Low velocity fans located below deck area (to insure even flow of air)
- Electronic Control System with automatic air defrost to Maintain Balanced Temperatures
- New high efficiency air screen technology
- Self contained system
- Copeland hermetic unit
- Remotes available

OPTIONAL FEATURES

- LED lights at top of the unit
- Night covers
- Security cover
- Insulated divider for line ups
- Plexiglas divider for line ups
- Stainless steel, laminated or paint
- Colored bumper
- 2 Different end panel choices
- Digital thermometer

Important Note:

All refrigerated cases are designed to operate in an environment of 75 degrees and 55% relative humidity. Product must be cooled before being displayed within the case.

DRAIN IS REQUIRED



Technical Data

Model No.	SC R	SC-OS30E-3L-LS R-OS30E-3L-LS	SC-OS30E-4L-LS R-OS30E-4L-LS	SC-OS30E-5L-LS R-OS30E-5L-LS	SC-OS30E-6L-LS R-OS30E-6L-LS
Length with (2) ends		39"	51"	63"	75"
Length without ends		36"	48"	60"	72"
Height with ends		44"	44"	44"	44"
Height without ends		43-7/8"	43-7/8"	43-7/8"	43-7/8"
Depth with ends		30"	30"	30"	30"
Depth without ends		29"	29"	29"	29"
Endless design		YES	YES	YES	YES
(Dimensions are +/- 1/4")					
Operating temperature		36°F to 40°F	36°F to 40°F	36°F to 40°F	36°F to 40°F
Refrigerant (expansion valve)	SC/R	R404A	R404A	R404A	R404A
Compressor size HP	SC	1/2	1/2	3/4	3/4
Defrost per day (24 hours)	Air Defrost	3 @ 30 min.	3 @ 30 min.	3 @ 30 min.	3 @ 30 min.
BTU's at +20°F Evap. Temp.	R	3100	4133	5165	6200
Voltage	SC	115	115	115/208-230	115/208-230
Amperage	SC	12.0	13.1	16.0	16.0
Remote Voltage	R	115	115	115	115
Amperage, lights only	R	0.7	1.4	1.4	1.4
Cord and plug	SC	5-15P	5-20P	5-20P	5-20P
	R	NO	NO	NO	NO
Exterior color		W, B, SS	W, B, SS	W, B, SS	W, B, SS
Interior color		W, B, SS	W, B, SS	W, B, SS	W, B, SS
# of shelves		2	2	2	2
Shelf size depth		(1) 14" (1) 16"	(1) 14" (1) 16"	(1) 14" (1) 16"	(2) 14" (2) 16"
Shipping Info					
Height		49"	49"	49"	49"
Depth		44"	44"	44"	44"
Length		61"	61"	Call for Info	87"
Gross weight SC/R		445/401	475/428	500/450	525/473
Cubic feet		75	75	Call for Info	Call for Info

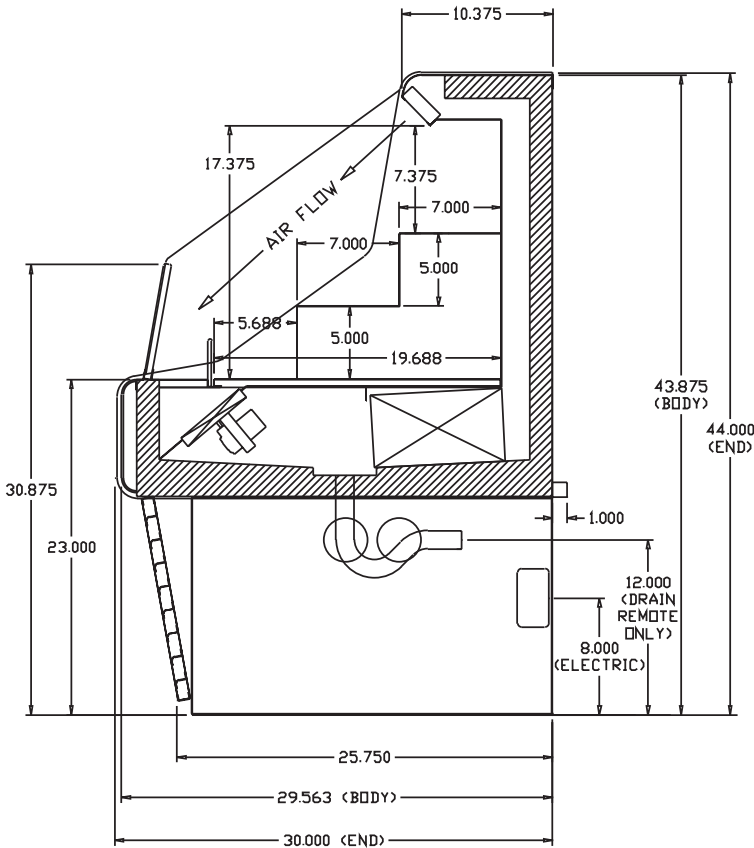
(ALL WHITE OR ALL BLACK, NO EXTRA CHARGE—IF COLORS ARE MIXED AN ADDITIONAL CHARGE WILL APPLY)

Prefix	Suffix
SC = Self Contained	B = Black
R = Remote	W = White
	S = Stainless Steel
	LED = LED lighting

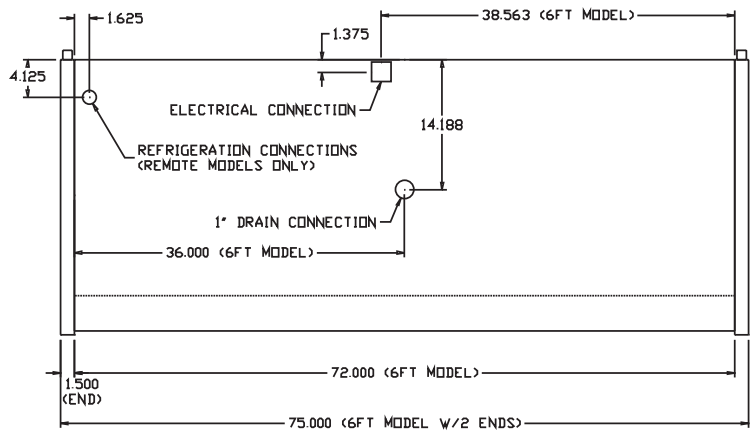
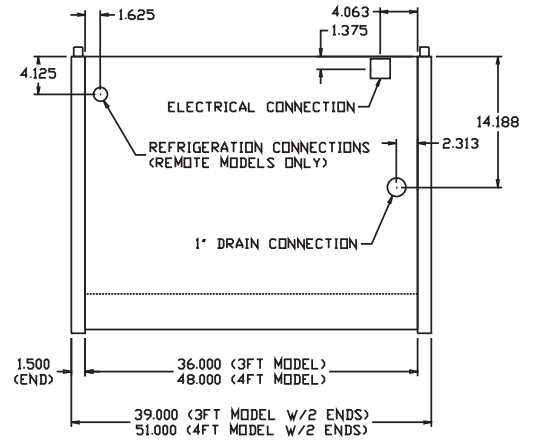
- Cases are designed to operate at 75 degrees Fahrenheit and 55% relative humidity
- Cases are equipped with drains; check your local building codes for connection requirements.
- Specification subject to change without notice



Technical Data • Side View • Plan View



Cross Section



Plan View

