

Product Specification Sheet



Model No.	Description	Length	Depth	Height	Voltage	Amps	HP/BTUs	Power Cord	Est. Ship Weight
S32E-3	Self Contained	38"	30"	44"	115	12.0	1/2	5-15P	365
S32E-4	Self Contained	50"	30"	44"	115	13.1	1/2	5-20P	410
S32E-6	Self Contained	74"	30"	44"	115	16.0	3/4	5-20P	505
R32E-3	Remote	50"	30"	44"	115	0.7	3100	NO	240
R32E-4	Remote	74"	30"	44"	115	0.7	4130	NO	285
R32E-6	Remote	98"	30"	44"	115	1.4	6200	NO	355

MODEL NUMBER SUFFIX - B = Black W = White SS = Stainless Steel
 • Cases are designed to operate at 75 degrees Fahrenheit and 55% relative humidity
 • Specification subject to change without notice



Standard Specifications and Optional Features

CONSTRUCTION

- UL Classified to ANSI/NSF 7
- Foamed in place CFC free foam
- Heavy gauge steel super structure
- Multi deck
- Endless design allows for continuous line up

INTERIOR

- White, black, or stainless steel end panels
- Removable white, black, or stainless steel floor pans
- White, black, or stainless steel perforated rear wall (for even air distribution)
- 3 tier step rack
- Stylish tag molding on each shelf

EXTERIOR

- White, black, or stainless steel ends and front
- White, black, or stainless steel color band
- Removeable front grill allows for cleaning and servicing
- 1" bumper

FINISHES

- White, black, or stainless steel end panels
- White, black, or stainless steel front rail
- White, black, or stainless steel front color band
- White, black, or stainless steel end trim
- Laminate, and custom paints available
- Coated galvanized rear

ELECTRICAL REQUIREMENTS

- Unit comes with cord and plug
- UL/CUL listed
- See Tech page for details on voltage

REFRIGERATION

- R134A expansion valve system
- Low velocity fans located below deck area (to insure even flow of air)
- Electronic Control System with automatic air defrost to Maintain Balanced Temperatures
- New high efficiency air screen technology
- Self contained system
- Copeland hermetic unit
- Remotes available

OPTIONAL FEATURES

- Rear Grille
- Sandwich/ fruit racks
- Glass shelf
- Night covers
- Security cover
- Peg bars
- Electric condensate pan, with separate plug
- Insulated divider for line ups
- Plexiglas divider for line ups
- Colored bumper
- Stainless steel, laminated or paint
- Product stops on shelving
- Digital thermometer

Important Note:

All refrigerated cases are designed to operate in an environment of 75 degrees and 55% relative humidity. Product must be cooled before being displayed within the case.

DRAIN IS REQUIRED



Technical Data

Model No.	SC R	S32E-3 R32E-3	S32E-4 R32E-4	S32E-6 R32E-6
Length with (2) ends		38"	50"	74"
Length without ends		36"	48"	72"
Height with ends		44"	44"	44"
Height without ends		Call for Info	Call for Info	Call for Info
Depth with ends		30"	30"	30"
Depth without ends		29"	29"	29"
Endless design		YES	YES	YES
(Dimensions are +/- 1/4")				
Operating temperature		36°F to 40°F	36°F to 40°F	36°F to 40°F
Refrigerant (expansion valve)	SC	R134A	R134A	R134A
Compressor size HP	SC	1/2	1/2	3/4
Defrost per day (24 hours)	Air Defrost	3 @ 30 min.	3 @ 30 min.	3 @ 30 min.
BTU's at +20°F Evap. Temp.	R	3100	4130	6200
Voltage	SC	115	115	115
Amperage	SC	11.3	11.3	16
Remote Voltage	R	115	115	115
Amperage, lights only	R	0.7	0.7	1.4
Cord and plug	SC	5-15P	5-20P	5-20P
	R	NO	NO	NO
Exterior color		W, B, SS	W, B, SS	W, B, SS
Interior color		W, B, SS	W, B, SS	W, B, SS
# of rows / shelves		2/2	2/2	2/4
Shelf size depth		(2) 14"	(1) 14" (1) 16"	(2) 14" (2) 16"
Shipping Info				
Height		49"	49"	49"
Depth		44"	44"	44"
Length		61"	61"	87"
Gross weight SC/R		365/240	410/285	505/355
Cubic feet		75	75	75

(ALL WHITE OR ALL BLACK, NO EXTRA CHARGE—IF COLORS ARE MIXED AN ADDITIONAL CHARGE WILL APPLY)

Prefix

SC = Self Contained
R = Remote

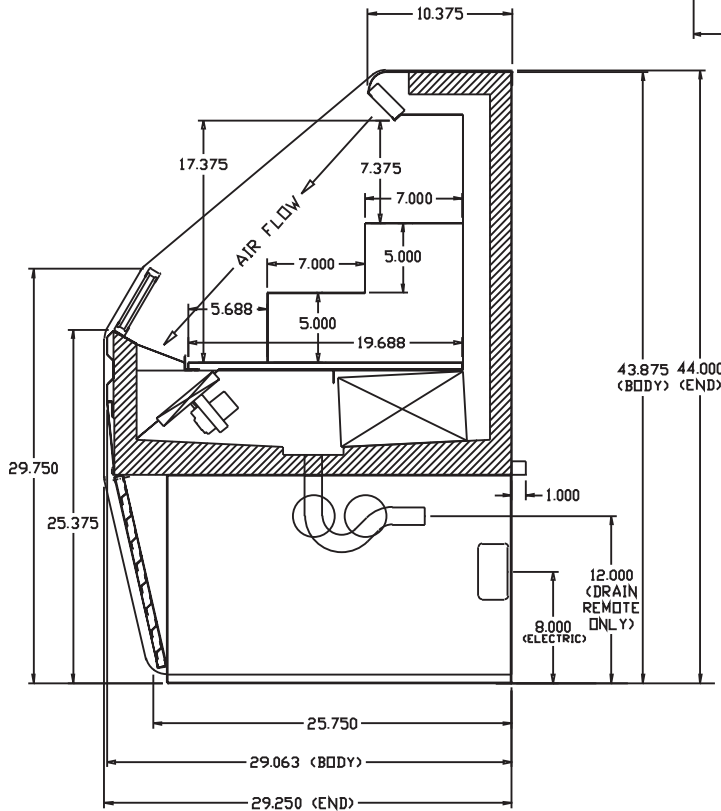
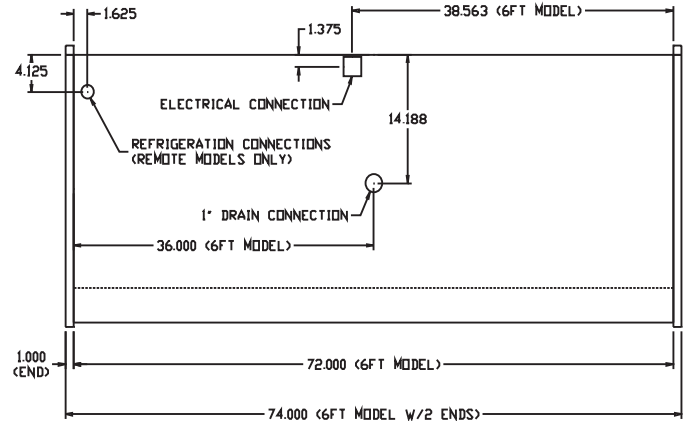
Suffix

B = Black
W = White
SS = Stainless Steel
LS = T8 lighting
LED = LED lighting

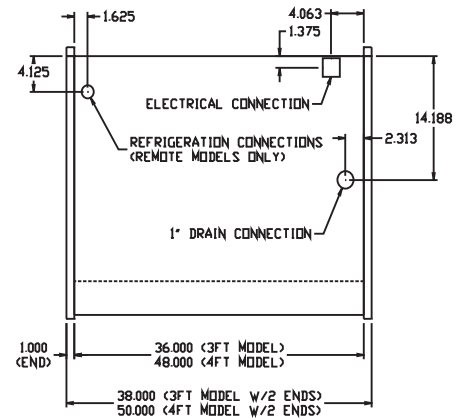
- Cases are designed to operate at 75 degrees Fahrenheit and 55% relative humidity
- Cases are equipped with drains; check your local building codes for connection requirements.
- Specification subject to change without notice



Technical Data • Side View • Plan View



Cross Section



Plan View

