

## Product Specifications Sheets



Model No.	Description	Length	Depth	Height	Voltage	Amps	HP/BTUs	Power Cord	Est. Ship Weight
<b>SC-OP35E-3S-LS</b>	Self Contained	39"	34.5"	78.5"	115	16	1/2	5-20P	700
<b>SC-OP35E-4S-LS</b>	Self Contained	51"	34.5"	78.5"	115/208-230	13	3/4	L14-20P	965
<b>SC-OP35E-5S-LS</b>	Self Contained	63"	34.5"	78.5"	115/208-230	16	1	L14-20P	1070
<b>SC-OP35E-6S-LS</b>	Self Contained	75"	34.5"	78.5"	115/208-230	16	1	L14-20P	1175
<b>R-OP35E-3S-LS</b>	Remote	39"	34.5"	78.5"	115	2	4906	No	575
<b>R-OP35E-4S-LS</b>	Remote	51"	34.5"	78.5"	115	3	6542	No	790
<b>R-OP35E-5S-LS</b>	Remote	63"	34.5"	78.5"	115	4	8170	No	895
<b>R-OP35E-6S-LS</b>	Remote	75"	34.5"	78.5"	115	4	9813	No	1000
<b>R-OP35E-8S-LS</b>	Remote	99"	36.5"	78.5"	115	6	13084	No	1580
<b>R-OP35E-10S-LS</b>	Remote	123"	36.5"	78.5"	115	7	16355	No	1790
<b>R-OP35E-12S-LS</b>	Remote	147"	36.5"	78.5"	115	8	19626	No	2000

MODEL NUMBER SUFFIX - B = Black W = White SS = Stainless Steel  
 • Cases are designed to operate at 75 degrees Fahrenheit and 55% relative humidity  
 • Specification subject to change without notice



**A Division of HMC Enterprises LLC** • 831 East Cayuga St • Philadelphia, PA 19124 USA

(215) 464-6800 • 1-800-344-8222 • Fax (215) 969-4890 • E-Mail: sales@howardmccray.com • www.howardmccray.com

## Standard Specifications and Optional Features

### CONSTRUCTION

- UL Classified to ANSI/NSF 7
- Foamed in place CFC free foam
- Heavy gauge steel super structure
- Multi deck
- Endless design allows for continuous line up

### INTERIOR

- White, black, or stainless steel end panels
- Removable white, black, or stainless steel floor pans
- White, black, or stainless steel perforated rear wall (for even air distribution)
- Full length lighting at top of unit
- 3 levels of lighted shelving
- 4 levels of product display
- Full length mirror to enhance product display
- Stylish price tag molding on each shelf
- 3" Product stop on each shelf

### EXTERIOR

- White, black, or stainless steel ends and front
- Removeable front grill allows for cleaning and servicing
- 1" bumper
- Choice of end panels

### FINISHES

- White, black, or stainless steel end panels
- White, black, or stainless steel front rail
- White, black, or stainless steel end trim
- Laminate, and custom paints available
- Coated galvanized rear

### LIGHTING

- 1 row at inside top of unit
- 3 rows of lighted shelving

### ELECTRICAL REQUIREMENTS

- Self contained unit comes with cord and plug
- UL/CUL listed
- See Tech page for details on voltage

### REFRIGERATION

- R404A expansion valve system
- Low velocity fans located below deck area (to insure even flow of air)
- Electronic Control System with automatic air defrost to maintain balanced temperatures
- New high efficiency air screen technology
- Self contained system
- Copeland hermetic unit
- Remotes available

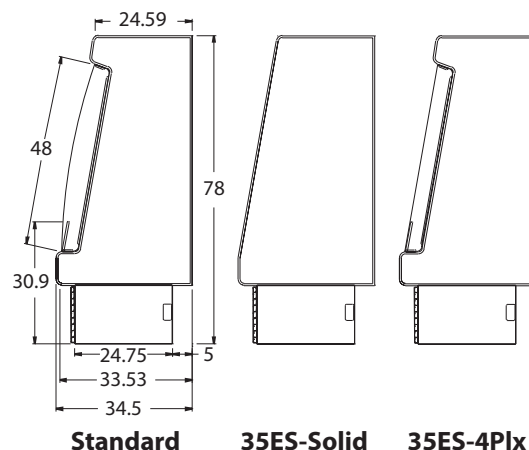
### OPTIONAL FEATURES

- Solid state lighting
- Night covers
- Security cover
- Peg bars
- Step shelves
- Electric condensate pan, with separate plug
- Insulated divider for line ups
- Plexiglas divider for line ups
- Choice of end panels
- Stainless steel, laminated or paint
- Colored bumpers
- Digital thermometer

### Important Note:

**All refrigerated cases are designed to operate in an environment of 75 degrees and 55% relative humidity. Product must be cooled before being displayed within the case.**

### DRAIN IS REQUIRED



## Technical Data

Model No.	SC R	SC-OP35E-3L-LS R-OP35E-3S-LS	SC-OP35E-4L-LS R-OP35E-4L-LS	SC-OP35E-5L-LS R-OP35E-5L-LS	SC-OP35E-6L-LS R-OP35E-6L-LS	R-OP35E-8L-LS	R-OP35E-10L-LS	R-OP35E-12L-LS/
Length with (2) ends		39"	51"	63"	75"	99"	123"	147"
Length without ends		36"	48"	60"	72"	96"	120"	144"
Height with ends		60"	60"	60"	60"	60"	60"	60"
Height without ends		59.5"	59.5"	59.5"	59.5"	59.5"	59.5"	59.5"
Depth with ends		34.5"	34.5"	34.5"	34.5"	36.5"	36.5"	36.5"
Depth without ends		34"	34"	34"	34"	34"	34"	34"
Endless design		YES	YES	YES	YES	YES	YES	YES
(Dimensions are +/- 1/4")								
Operating temperature		34°F to 38°F	34°F to 38°F	34°F to 38°F	34°F to 38°F	34°F to 38°F	34°F to 38°F	34°F to 38°F
Refrigerant (expansion valve)	SC	R404A	R404A	R404A	R404A	R404A	R404A	R404A
Compressor size HP	SC	1/2	1/2	3/4	3/4	3/4	3/4	3/4
Defrost per day (24 hours)	Air Defrost	3 @ 30 min.	3 @ 30 min.	3 @ 30 min.	3 @ 30 min.	3 @ 30 min.	3 @ 30 min.	3 @ 30 min.
BTU's at +20°F Evap. Temp.	R	4906	6542	8170	9813	13084	16355	19626
Voltage	SC	115	115	115/208-230	115/208-230			
Amperage	SC	16.0	13.0	16.0	16.0			
Remote Voltage	R	115	115	115	115	115	115	115
Amperage, lights only	R	2.0	3.0	4.0	4.0	6.0	7.0	8.0
Cord and plug	SC	5-15P	5-15P	L14-20P	L14-20P			
	R	NO	NO	NO	NO	NO	NO	NO
Exterior color		W, B, SS	W, B, SS	W, B, SS	W, B, SS	W, B, SS	W, B, SS	W, B, SS
Interior color		W, B, SS	W, B, SS	W, B, SS	W, B, SS	W, B, SS	W, B, SS	W, B, SS
# of rows / shelves		1/1	1/1	1/2	1/2	Call for Info	Call for Info	Call for Info
Shelf Size		(1) 16"	(1) 16"	(2) 16"	(2) 16"	Call for Info	Call for Info	Call for Info
Shipping Info								
Height		65"	65"	65"	65"	65"	65"	65"
Depth		44"	44"	44"	44"	44"	44"	44"
Length		61"	61"	Call for Info	86"	Call for Info	Call for Info	Call for Info
Gross weight (SC/R)		700/575	965/790	1070/895	1175/1000	1580	1790	2000
Cubic feet		100	100	Call for Info	142	Call for Info	Call for Info	Call for Info

**(ALL WHITE OR ALL BLACK, NO EXTRA CHARGE—IF COLORS ARE MIXED AN ADDITIONAL CHARGE WILL APPLY)**

### Prefix

SC = Self Contained  
R = Remote

### Suffix

B = Black  
S = Stainless Steel  
LS = T8 lighting  
LED = Solid state lighting

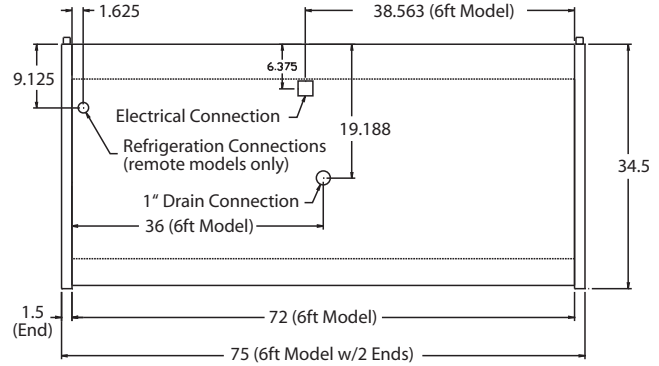
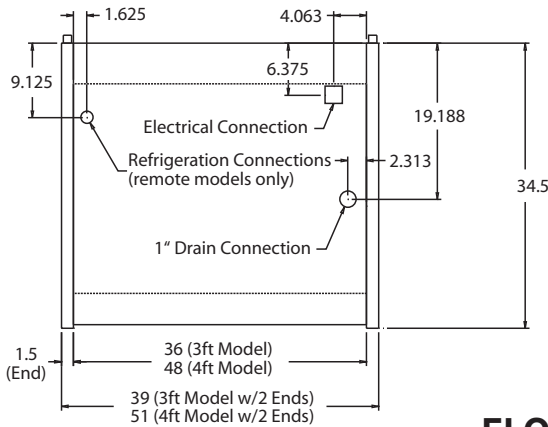
- Cases are designed to operate at 75 degrees Fahrenheit and 55% relative humidity
- Cases are equipped with drains; check your local building codes for connection requirements.
- Specification subject to change without notice



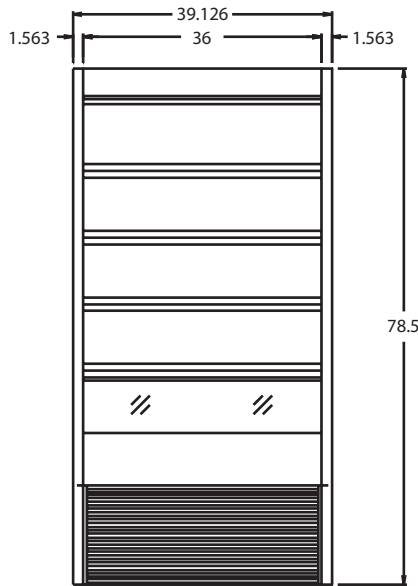
**A Division of HMC Enterprises LLC • 831 East Cayuga St • Philadelphia, PA 19124 USA**

**(215) 464-6800 • 1-800-344-8222 • Fax (215) 969-4890 • E-Mail: sales@howardmccray.com • www.howardmccray.com**

**Technical Data • Side View • Plan View**

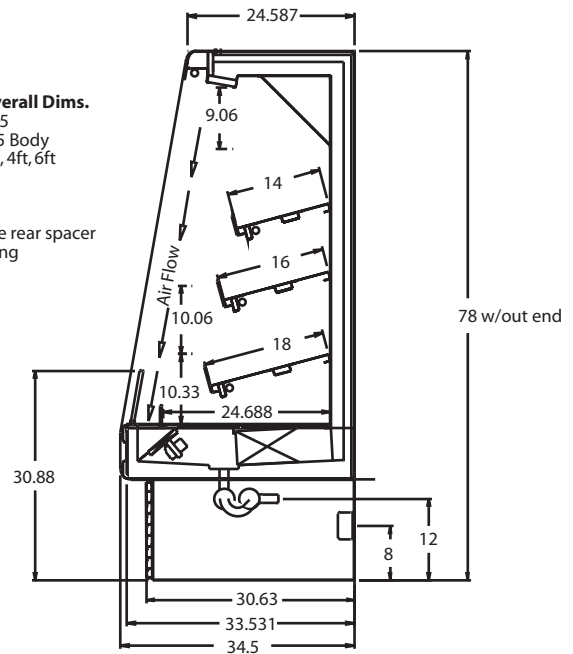


**FLOOR PLANS**



**FRONT VIEW  
3 FT MODEL**

**Cabinet Overall Dims.**  
Height - 78.5  
Depth - 34.5 Body  
Length - 3ft, 4ft, 6ft  
1- 14" shelf  
1- 16" shelf  
1- 18" shelf  
Removeable rear spacer  
for air venting



**SIDE VIEW**

