



**John
BOOS**
Since 1887

ITEM #: _____ QTY: _____
 MODEL #: _____
 PROJECT NAME: _____

3601 S. Banker St. Effingham, IL 62401 • P.O. BOX 609 • Ph: (888) 431-2667 • Fax: (800) 433-2667

"2B-1DB" "B" SERIES SINKS



FEATURES:

- 16GA STAINLESS STEEL
- TYPE 300 STAINLESS STEEL WITH #4 POLISH, SATIN FINISH
- 14" DEEP BOWLS
- ALL CORNERS, BOTH VERTICAL AND HORIZONTAL, COVERED AT 3/4" RADIUS
- BOTTOMS OF BOWLS FORMED FOR DRAINAGE TO 3-1/2" DIAMETER DIE STAMPED OPENING
- FULL LENGTH **10" HIGH BOXED BACKSPLASH**, WITH 2" RETURN TO WALL AT 45 DEGREE AND 1" TURNED DOWN REAR LIP
- 1-1/8" FAUCET HOLES IN BACKSPLASH
- ALL OUTSIDE CORNERS OF ASSEMBLY ARE BULLNOSED TO PROVIDE SAFE, CLEAN, AND POLISHED EDGE
- STANDARD STAINLESS STEEL LEGS 1-5/8" DIAMETER
- LEGS LOCATED DIRECTLY UNDER SINK BOWLS, PROVIDING INCREASED STABILITY AND MAX WEIGHT SUPPORT

CONSTRUCTION:

- TOP: STAINLESS STEEL SINKS ARE TIG WELDED, EXPOSED WELDS ARE POLISHED TO MATCH ADJACENT SURFACE
- BASE: STAINLESS STEEL BASES ARE MIG WELDED

MATERIAL:

- BOWLS & TOP: 16GA TYPE 300 STAINLESS STEEL WITH #4 POLISH, SATIN FINISH
- LEGS: 1-5/8" ROUND O.D. STAINLESS STEEL
- BRACING: 1-1/4" ROUND O.D. STAINLESS STEEL
- GUSSETS: STAINLESS STEEL
- FEET: 1" ADJUSTABLE STAINLESS STEEL BULLET FEET

STANDARD 16GA "2B-1DB" SINK

MODEL	BOWL SIZE (LxWxD)	QTY
2B16204-1D18L	16" X 20" X 14"	
2B16204-1D18R	16" X 20" X 14"	
2B184-1D18L	18" X 18" X 14"	
2B184-1D18R	18" X 18" X 14"	
2B18244-1D18L	18" X 24" X 14"	
2B18244-1D18R	18" X 24" X 14"	
2B244-1D24	24" X 24" X 14"	

OPTIONAL ACCESSORIES

DESCRIPTION	QTY
FAUCETS	
ADD-A-FAUCETS	
PRE-RINSE UNITS	
LEVEL WASTE	
OVERSHELVES	
POT RACK	



2B18244-1D18L

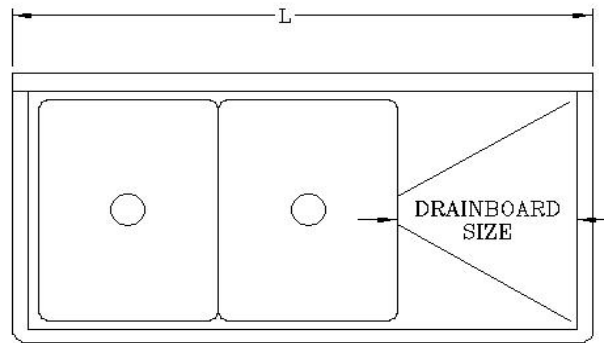
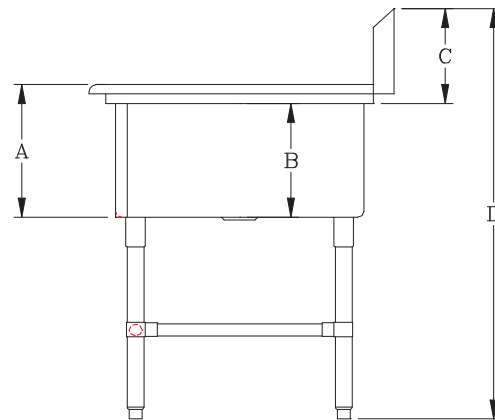
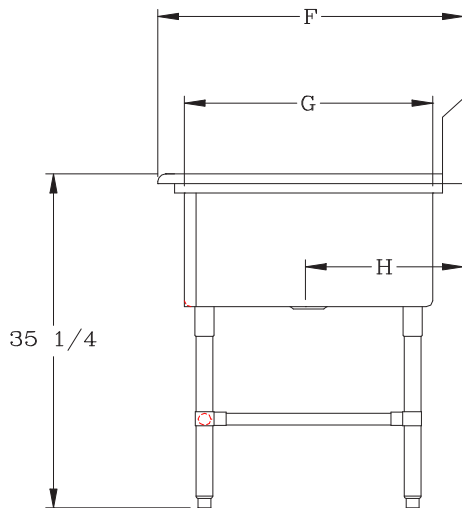
"2B-1DB" "B" SERIES SINK DETAILED SPECIFICATIONS

SINK DIMENSIONS

A	B	C	D
16-1/4"	14"	10"	43"

BOWL SIZES

DIMENSIONS (LxW)	F	G	H
16" X 20"	25-1/2"	20"	12-15/16"
18" X 18"	23-1/2"	18"	11-15/16"
18" X 24"	29-1/2"	24"	14-15/16"
24" X 24"	29-1/2"	24"	14-15/16"



STANDARD 16GA "2B-1DB" SINK

MODEL	BOWL SIZE (LxWxD)	DIMENSIONS (LxW)	DRAIN BOARDS	WT. (LBS)
2B16204-1D18L	16" X 20" X 14"	54" X 25-1/2"	18"	290
2B16204-1D18R	16" X 20" X 14"	54" X 25-1/2"	18"	290
2B184-1D18L	18" X 18" X 14"	58" X 23-1/2"	18"	275
2B184-1D18R	18" X 18" X 14"	58" X 23-1/2"	18"	275
2B18244-1D18L	18" X 24" X 14"	58" X 29-1/2"	18"	300
2B18244-1D18R	18" X 24" X 14"	58" X 29-1/2"	18"	300
2B244-1D24	24" X 24" X 14"	76" X 29-1/2"	24"	331

SOME UNITS SHIP UNASSEMBLED FOR REDUCED SHIPPING COST. ALL DIMENSIONS ARE TYPICAL. TOLERANCE +/- .500"
John Boos & Co. is constantly engaged in a program of improving products and therefore reserves the right to change specifications without prior notice.



3601 S. Banker St. • Effingham, IL 62401 • PO BOX 609 • quotes@johnboos.com

ROOS AUTOQUOTES

www.johnboos.com