



**John
BOOS**
Since 1887

ITEM #: _____ QTY: _____

MODEL #: _____

PROJECT NAME: _____

3601 S. Banker St. Effingham, IL 62401 • P.O. BOX 609 • Ph: (888) 431-2667 • Fax: (800) 433-2667

"E1S8-1DB" - 1 COMPARTMENT "E-SERIES" SINKS

WITH 1 DRAIN BOARD AND GALVANIZED LEGS



FEATURES:

- 18GA STAINLESS STEEL
- TYPE 300 STAINLESS STEEL WITH #4 POLISH, SATIN FINISH
- 12" AND 14" DEEP BOWLS
- ALL CORNERS, BOTH VERTICAL AND HORIZONTAL, COVED AT 3/4" RADIUS
- BOTTOMS OF BOWLS FORMED FOR DRAINAGE TO 3-1/2" DIAMETER DIE STAMPED OPENING
- FULL LENGTH **10" HIGH BOXED BACKSPLASH**, WITH 2" RETURN TO WALL AT 45 DEGREE AND 1" TILE EDGE
- 1" FAUCET HOLES IN BACKSPLASH
- ALL OUTSIDE CORNERS OF ASSEMBLY ARE BULLNOSED TO PROVIDE SAFE, CLEAN, AND POLISHED EDGE
- STANDARD STAINLESS STEEL LEGS 1-5/8" DIAMETER
- LEGS LOCATED DIRECTLY UNDER SINK BOWLS, PROVIDING INCREASED STABILITY AND MAX WEIGHT SUPPORT

CONSTRUCTION:

- TOP: STAINLESS STEEL SINKS ARE TIG WELDED, EXPOSED WELDS ARE POLISHED TO MATCH ADJACENT SURFACE
- BASE: GALVANIZED STEEL

MATERIAL:

- BOWLS & TOP: 18GA TYPE 300 STAINLESS STEEL WITH #4 POLISH, SATIN FINISH
- LEGS: 1-5/8" ROUND O.D. GALVANIZED STEEL
- GUSSETS: GALVANIZED STEEL
- FEET: 1" PLASTIC BULLET FEET

12" DEEP - 1 COMP SINKS - 18GA

| MODEL | BOWL SIZE (LxWxD) | QTY |
|-----------------|-------------------|-----|
| E1S8-1620-12L18 | 16" X 20" X 12" | |
| E1S8-1620-12R18 | 16" X 20" X 12" | |
| E1S8-18-12L18 | 18" X 18" X 12" | |
| E1S8-18-12R18 | 18" X 18" X 12" | |

14" DEEP - 1 COMP SINKS - 18GA

| MODEL | BOWL SIZE (LxWxD) | QTY |
|-----------------|-------------------|-----|
| E1S8-1824-14L24 | 18" X 24" X 14" | |
| E1S8-1824-14R24 | 18" X 24" X 14" | |
| E1S8-24-14L24 | 24" X 24" X 14" | |
| E1S8-24-14R24 | 24" X 24" X 14" | |



E1S8-1824-14L24

"E1S8-1DB" - 1 COMPARTMENT "E-SERIES" SINKS DETAILED SPECIFICATIONS

12" DEEP - SINK DIMENSIONS

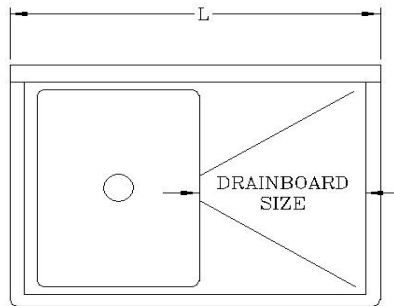
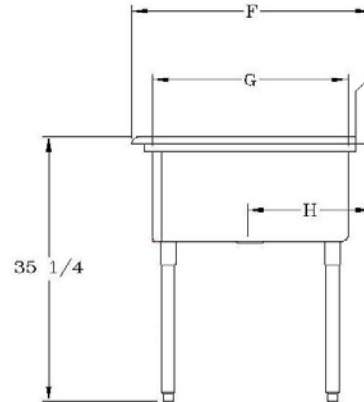
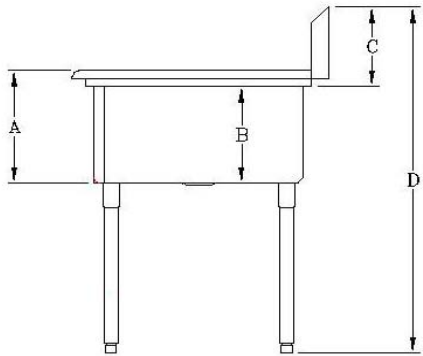
| A | B | C | D |
|---------|-----|-----|---------|
| 14-1/4" | 12" | 10" | 43-3/4" |

14" DEEP - SINK DIMENSIONS

| A | B | C | D |
|---------|-----|-----|---------|
| 16-1/4" | 14" | 10" | 43-3/4" |

SINK BOWL DIMENSIONS

| LENGTH X WIDTH | F | G | H |
|----------------|---------|-----|-----------|
| 16" X 20" | 25-1/2" | 20" | 12-15/16" |
| 18" X 18" | 23-1/2" | 18" | 11-15/16" |
| 18" X 24" | 29-1/2" | 24" | 14-15/16" |
| 24" X 24" | 29-1/2" | 24" | 14-15/16" |



12" DEEP - 1 COMP SINKS - 18GA

| MODEL | BOWL SIZE (LxWxD) | DIMENSIONS | DRAIN BOARDS | WT. (LBS) |
|-----------------|-------------------|-------------------|--------------|-----------|
| E1S8-1620-12L18 | 16" X 20" X 12" | 36-1/2" X 25-1/2" | 18" | 96 |
| E1S8-1620-12R18 | 16" X 20" X 12" | 36-1/2" X 25-1/2" | 18" | 96 |
| E1S8-18-12L18 | 18" X 18" X 12" | 38-1/2" X 23-1/2" | 18" | 96 |
| E1S8-18-12R18 | 18" X 18" X 12" | 38-1/2" X 23-1/2" | 18" | 96 |

14" DEEP - 1 COMP SINKS - 18GA

| MODEL | BOWL SIZE (LxWxD) | DIMENSIONS | DRAIN BOARDS | WT. (LBS) |
|-----------------|-------------------|-------------------|--------------|-----------|
| E1S8-1824-14L24 | 16" X 20" X 12" | 44-1/2" X 29-1/2" | 24" | 119 |
| E1S8-1824-14R24 | 16" X 20" X 12" | 44-1/2" X 29-1/2" | 24" | 119 |
| E1S8-24-14L24 | 18" X 18" X 12" | 50-1/2" X 29-1/2" | 24" | 119 |
| E1S8-24-14R24 | 18" X 18" X 12" | 50-1/2" X 29-1/2" | 24" | 119 |

SOME UNITS SHIP UNASSEMBLED FOR REDUCED SHIPPING COST. ALL DIMENSIONS ARE TYPICAL. TOLERANCE +/- .500"
John Boos & Co. is constantly engaged in a program of improving products and therefore reserves the right to change specifications without prior notice.



3601 S. Banker St. • Effingham, IL 62401 • PO BOX 609 • quotes@johnboos.com



www.johnboos.com