



**John
BOOS**
Since 1887

ITEM #: _____ QTY: _____
 MODEL #: _____
 PROJECT NAME: _____

3601 S. Banker St. Effingham, IL 62401 • P.O. BOX 609 • Ph: (888) 431-2667 • Fax: (800) 433-2667

"E3S8-1DB" - 3 COMPARTMENT "E-SERIES" SINKS

WITH ONE DRAIN BOARD AND GALVANIZED LEGS



FEATURES:

- 18GA STAINLESS STEEL
- TYPE 300 STAINLESS STEEL WITH #4 POLISH, SATIN FINISH
- 14" DEEP BOWLS
- ALL CORNERS, BOTH VERTICAL AND HORIZONTAL, COVERED AT 3/4" RADIUS
- BOTTOMS OF BOWLS FORMED FOR DRAINAGE TO 3-1/2" DIAMETER DIE STAMPED OPENING
- FULL LENGTH **10" HIGH BOXED BACKSPLASH**, WITH 2" RETURN TO WALL AT 45 DEGREE AND 1" TILE EDGE
- 1" FAUCET HOLES IN BACKSPLASH
- ALL OUTSIDE CORNERS OF ASSEMBLY ARE BULLNOSED TO PROVIDE SAFE, CLEAN, AND POLISHED EDGE
- STANDARD STAINLESS STEEL LEGS 1-5/8" DIAMETER
- LEGS LOCATED DIRECTLY UNDER SINK BOWLS, PROVIDING INCREASED STABILITY AND MAX WEIGHT SUPPORT

CONSTRUCTION:

- TOP: STAINLESS STEEL SINKS ARE TIG WELDED, EXPOSED WELDS ARE POLISHED TO MATCH ADJACENT SURFACE
- BASE: GALVANIZED BASE

MATERIAL:

- BOWLS & TOP: 18GA TYPE 300 STAINLESS STEEL WITH #4 POLISH, SATIN FINISH
- LEGS: 1-5/8" ROUND O.D. GALVANIZED STEEL
- GUSSETS: GALVANIZED STEEL
- FEET: 1" ADJUSTABLE PLASTIC BULLET FEET

12" DEEP - 3 COMP SINKS - 18GA

MODEL	BOWL SIZE (LxWxD)	QTY
E3S8-1620-12L18	16" X 20" X 12"	
E3S8-1620-12R18	16" X 20" X 12"	
E3S8-18-12L18	18" X 18" X 12"	
E3S8-18-12R18	18" X 18" X 12"	

14" DEEP - 3 COMP SINKS - 18GA

MODEL	BOWL SIZE (LxWxD)	QTY
E3S8-15-14L15	15" X 15" X 12"	
E3S8-15-14R15	15" X 15" X 12"	
E3S8-1824-14L24	18" X 24" X 12"	
E3S8-1824-14R24	18" X 24" X 12"	
E3S8-24-14L24 *	24" X 24" X 12"	
E3S8-24-14R24 *	24" X 24" X 12"	

* WITH TWO SETS OF FAUCET HOLES



E3S8-1824-14R24

"E3S8-1DB" - 3 COMPARTMENT "E-SERIES" SINKS DETAILED SPECIFICATIONS

12" DEEP - SINK DIMENSIONS

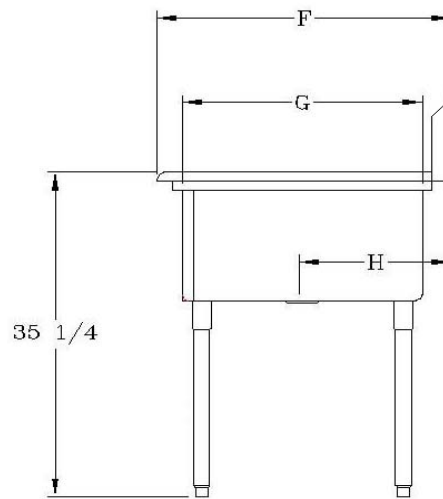
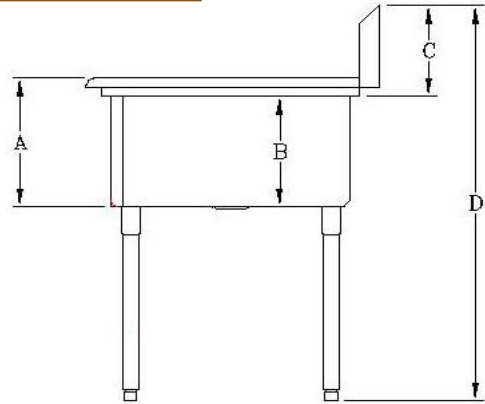
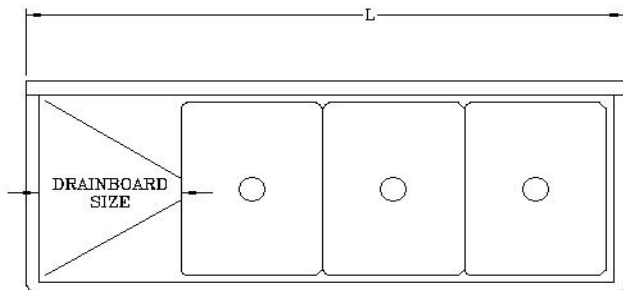
A	B	C	D
14-1/4"	12"	10"	43-3/4"

14" DEEP - SINK DIMENSIONS

A	B	C	D
16-1/4"	14"	10"	43-3/4"

BOWL DIMENSIONS

LENGTH x WIDTH	F	G	H
15" X 15"	20-1/2"	15"	8-5/16"
16" X 20"	25-1/2"	20"	12-15/16"
18" X 18"	23-1/2"	18"	11-15/16"
18" X 24"	29-1/2"	24"	14-15/16"
24" X 24"	29-1/2"	24"	14-15/16"



12" DEEP - 3 COMP SINKS - 18GA

MODEL	BOWL SIZE (LxWxD)	DIMENSIONS	DRAIN BOARDS	WT. (LBS)
E3S8-1620-12L18	16" X 20" X 12"	68-1/2" X 25-1/2"	18"	192
E3S8-1620-12R18	16" X 20" X 12"	68-1/2" X 25-1/2"	18"	192
E3S8-18-12L18	18" X 18" X 12"	74-1/2" X 23-1/2"	18"	192
E3S8-18-12R18	18" X 18" X 12"	74-1/2" X 23-1/2"	18"	192

14" DEEP - 3 COMP SINKS - 18GA

MODEL	BOWL SIZE (LxWxD)	DIMENSIONS	DRAIN BOARDS	WT. (LBS)
E3S8-15-14L15	15" X 15" X 14"	62-1/2" X 20-1/2"	15"	182
E3S8-15-14R15	15" X 15" X 14"	62-1/2" X 20-1/2"	15"	182
E3S8-1824-14L24	18" X 24" X 14"	80" X 29-1/2"	24"	221
E3S8-1824-14R24	18" X 24" X 14"	80" X 29-1/2"	24"	221
E3S8-24-14L24 *	24" X 24" X 24"	98-1/2" X 29-1/2"	24"	296
E3S8-24-14R24 *	24" X 24" X 24"	98-1/2" X 29-1/2"	24"	296

* WITH TWO SETS OF FAUCET HOLES

SOME UNITS SHIP UNASSEMBLED FOR REDUCED SHIPPING COST. ALL DIMENSIONS ARE TYPICAL. TOLERANCE +/- .500"
John Boos & Co. is constantly engaged in a program of improving products and therefore reserves the right to change specifications without prior notice.



3601 S. Banker St. • Effingham, IL 62401 • PO BOX 609 • quotes@johnboos.com

Boos
lock

AQ AutoQuotes

www.johnboos.com