



**John  
BOOS**  
Since 1887

ITEM #: \_\_\_\_\_ QTY: \_\_\_\_\_

MODEL #: \_\_\_\_\_

PROJECT NAME: \_\_\_\_\_

3601 S. Banker St. Effingham, IL 62401 • P.O. BOX 609 • Ph: (888) 431-2667 • Fax: (800) 433-2667

## **"EES8-SSK" EQUIPMENT STAND** **STAINLESS STEEL BASE**



### **FEATURES:**

- 18 GAUGE STAINLESS STEEL
- TYPE 430 STAINLESS STEEL WITH #4 POLISH, SATIN FINISH

### **CONSTRUCTION:**

- TOP: STAINLESS STEEL TOPS ARE TIG WELDED, EXPOSED WELDS ARE POLISHED TO MATCH
- BASE: MIG WELDED GALVANIZED FRAME

### **MATERIAL:**

- TOP: 18 GAUGE TYPE 430 STAINLESS STEEL
- SHELF: STAINLESS STEEL
- LEGS: STAINLESS STEEL
- GUSSETS: STAINLESS STEEL
- FEET: PLASTIC ADJUSTABLE

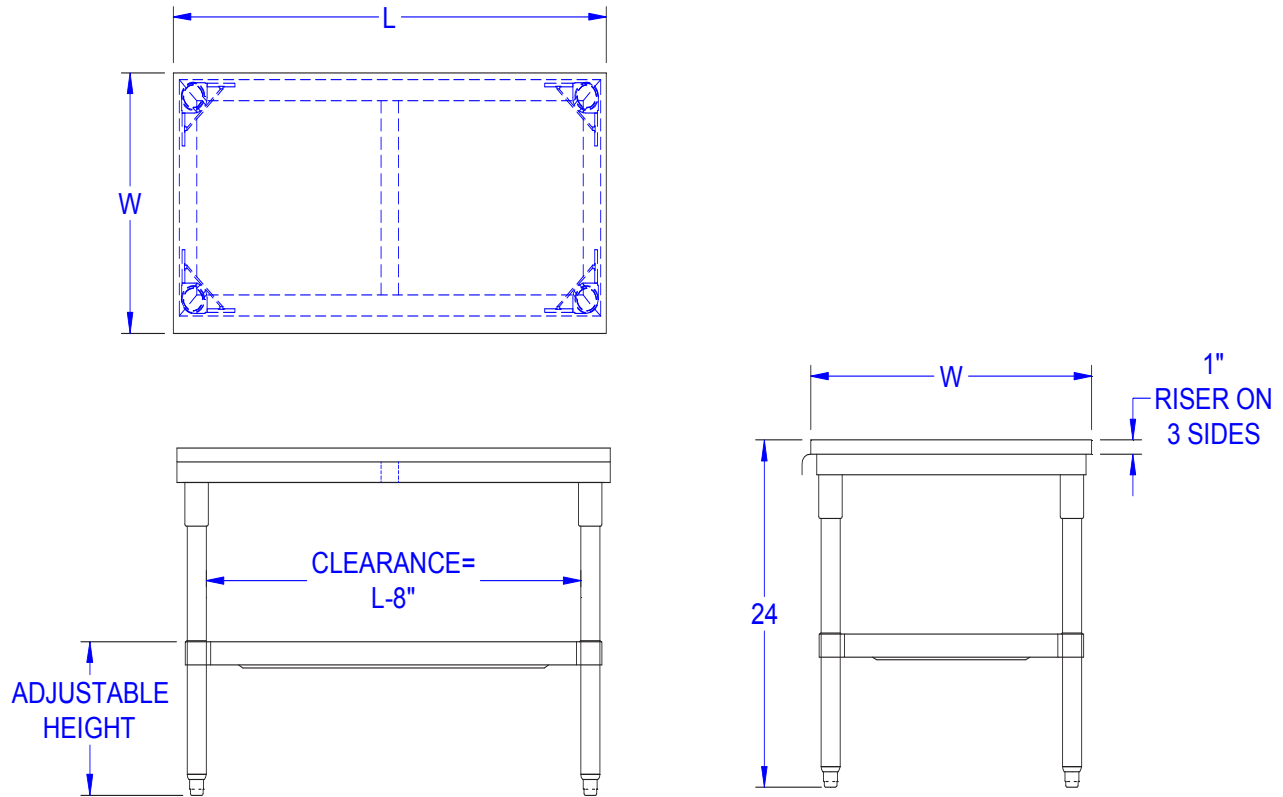


EES8-3048SSK

### **ECONOMY EQUIPMENT STANDS WITH STAINLESS STEEL BASE**

| MODEL #      | QTY |
|--------------|-----|
| EES8-3015SSK |     |
| EES8-3018SSK |     |
| EES8-3024SSK |     |
| EES8-3036SSK |     |
| EES8-3048SSK |     |
| EES8-3060SSK |     |
| EES8-3072SSK |     |

# ECONOMY EQUIPMENT STAND DETAILED SPECIFICATIONS



## ECONOMY EQUIPMENT STANDS WITH STAINLESS STEEL BASE

| MODEL #      | LENGTH | WIDTH | HEIGHT | WT. (LBS) |
|--------------|--------|-------|--------|-----------|
| EES8-3015SSK | 15"    | 30"   | 24"    | 26        |
| EES8-3018SSK | 18"    | 30"   | 24"    | 30        |
| EES8-3024SSK | 24"    | 30"   | 24"    | 39        |
| EES8-3036SSK | 36"    | 30"   | 24"    | 57        |
| EES8-3048SSK | 48"    | 30"   | 24"    | 70        |
| EES8-3060SSK | 60"    | 30"   | 24"    | 83        |
| EES8-3072SSK | 72"    | 30"   | 24"    | 95        |

WEIGHTS ARE SUBJECT TO ADDITIONAL PACKAGING

SOME UNITS SHIP UNASSEMBLED FOR REDUCED SHIPPING COST. ALL DIMENSIONS ARE TYPICAL. TOLERANCE +/- .500"  
John Boos & Co. is constantly engaged in a program of improving products and therefore reserves the right to change specifications without prior notice.



3601 S. Banker St. • Effingham, IL 62401 • PO BOX 609 • quotes@johnboos.com

Boos  
lock

AQ AutoQuotes

[www.johnboos.com](http://www.johnboos.com)